

注記  
NOTES

1. 使用材料 MATERIAL  
ハウジング: LCPガラス入り (黒), UL94V-0  
HOUSING: LCP(G.F.)(COLOR: BLACK), UL94V-0  
ターミナル: 黄銅 (t=0.15)  
TERMINAL: BRASS (t=0.15)
2. メッキ仕様 PLATING  
全体仕上げ: 金メッキ 0.1 MICROMETER MIN.  
ALL OVER: GOLD 0.1 MICROMETER MIN.  
下地メッキ: ニッケルメッキ 1.5 MICROMETER MIN.  
UNDER PLATING: NICKEL 1.5 MICROMETER MIN.
3. 基準面  $\square$  からのソルダーテールの半田付け面のズレ量は、上方向 0、  
下方向 0.15MAX. とする。  
MISALIGNMENT OF SOLDER TAIL FROM  $\square$   
: UPPER DIRECTION 0, LOWER DIRECTION 0.15 MAX.
- $\triangle$  (全極数/2) = 偶数の場合に適用。  
APPLY FOR (CIRCUIT/2)=EVEN.
5. 嵌合相手: 5299I シリーズ 54167 シリーズ  
MATE WITH: 5299I SERIES, 54167 SERIES.
6. テール平坦度は、0.1MAX.  
TAIL COPLANARITY TO BE 0.1MAX.

7.3	5.24	4.5	502280-0200	20
C	B	A	ENG. No.	極数 CUIRCUIT

RELEASED EC NO: J2007-0273 DRWN: TENAGASE 2006/07/28 CHKD: THARUYAMA 2006/08/03 APPR: NUKITA 2006/08/07	GENERAL TOLERANCES (UNLESS SPECIFIED)		DIMENSION STYLE MM ONLY		SCALE 10:1	DESIGN UNITS METRIC	THIRD ANGLE PROJECTION
	10 UNDER	±0.2	DRAWN BY TENAGASE	DATE 06/05/25	TITLE 0.5 B-TO-B PLUG ASSY 0/M HGT=3.0 (W/O BOSS, NAIL) -LEAD FREE-		
	10 OVER 30 UNDER	±0.25	CHECKED BY THARUYAMA	DATE 06/05/25			
	30 OVER	±0.3	APPROVED BY NUKITA	DATE 06/05/25	MOLEX INCORPORATED MATERIAL NO. 502280-**00 DOCUMENT NO. SD-502280-001 SHEET NO. 1 OF 2		
	ANGULAR	±3 °	DRAFT WHERE APPLICABLE MUST REMAIN WITHIN DIMENSIONS				
0	REV	SIZE A3		THIS DRAWING CONTAINS INFORMATION THAT IS PROPRIETARY TO MOLEX INCORPORATED AND SHOULD NOT BE USED WITHOUT WRITTEN PERMISSION			

10 9 8 7 6 5 4 3 2 1

F F

E E

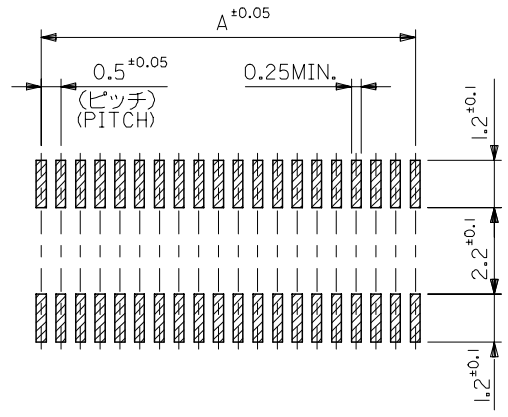
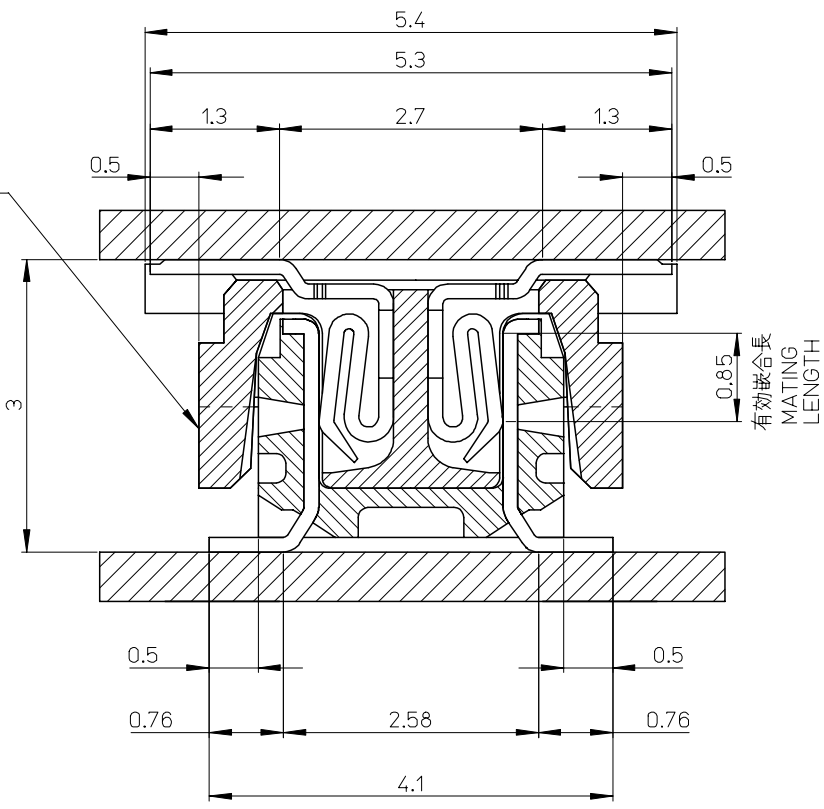
D D

C C

B B

A A

嵌合相手 MATE WITH  
5299|-\*\*\*0 (白 WHITE)  
54167-\*\*\*1 (黒 BLACK)



参考基板レイアウト (マウント面)  
P.C.BOARD PATTERN  
DIMENSION. (REF.)  
(MOUNTING AREA)

嵌合断面図 (参考)  
MATED DRAWING (REF.)

RELEASED EC NO: J2007-0273 DRWN: TENAGASE 2006/07/28 CHKD: THARUYAMA 2006/08/03 APPR: NUKITA 2006/08/07 REV 0	GENERAL TOLERANCES (UNLESS SPECIFIED)		DIMENSION STYLE MM ONLY	SCALE 10:1	DESIGN UNITS METRIC	THIRD ANGLE PROJECTION
	10 UNDER	± 0.2	DRAWN BY TENAGASE	DATE 06/05/25	TITLE 0.5 B-TO-B PLUG ASSY 0/M HGT=3.0 (W/O BOSS, NAIL) -LEAD FREE-	
	10 OVER 30 UNDER	± 0.25	CHECKED BY THARUYAMA	DATE 06/05/25	MOLEX INCORPORATED DOCUMENT NO. SD-502280-001 SHEET NO. 2 OF 2	
	30 OVER	± 0.3	APPROVED BY NUKITA	DATE 06/05/25		
	ANGULAR ± 3 °		MATERIAL NO. 502280-***00			
DRAFT WHERE APPLICABLE MUST REMAIN WITHIN DIMENSIONS		THIS DRAWING CONTAINS INFORMATION THAT IS PROPRIETARY TO MOLEX INCORPORATED AND SHOULD NOT BE USED WITHOUT WRITTEN PERMISSION				