

THIS DRAWING IS UNPUBLISHED.

RELEASED FOR PUBLICATION

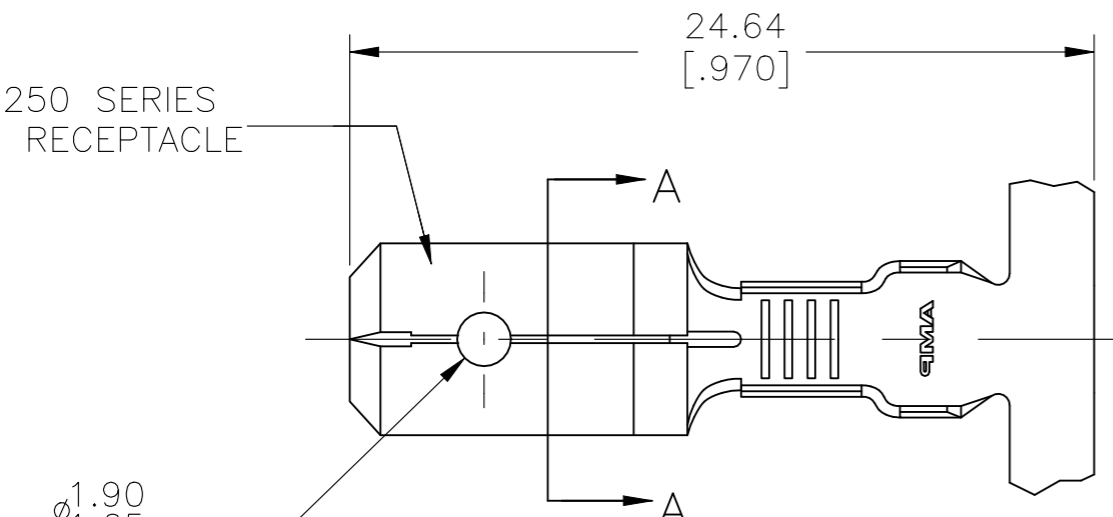
REVISIONS

© COPYRIGHT - By -

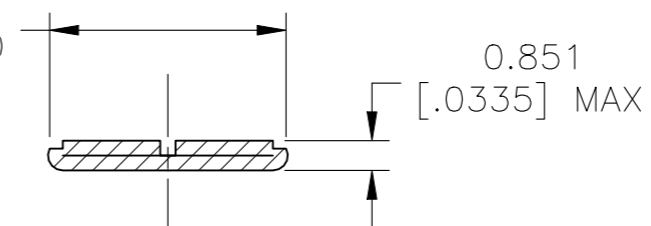
ALL RIGHTS RESERVED.

P	LTR	DESCRIPTION	DATE	DWN	APVD
	V3	REVISED PER ECR-21-101176	26MAR2021	SS	EW

FITS .250 SERIES FASTON RECEPTACLE

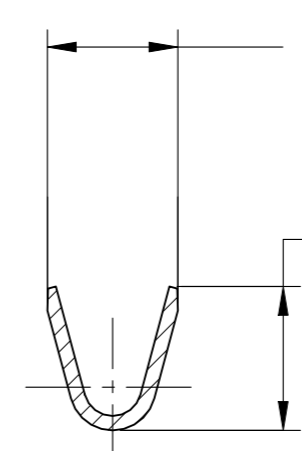


6.35±0.25 [.250]±.010



SECTION A-A SCALE 5:1

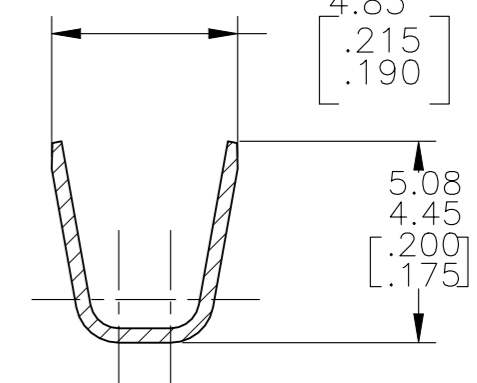
3.95
3.30
[.155]
[.130]



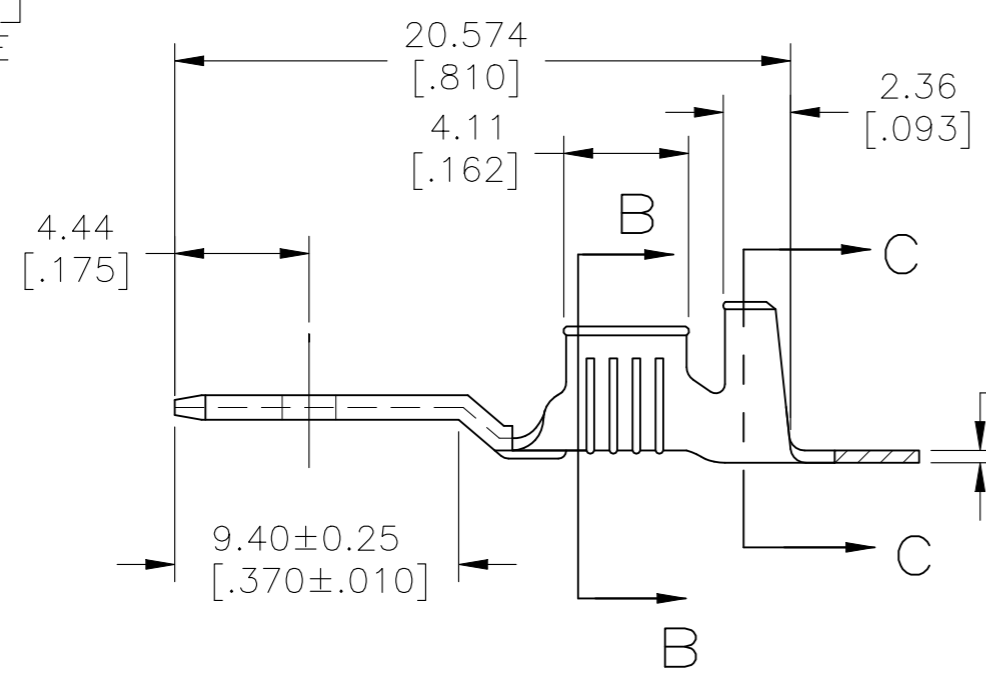
SECTION B-B SCALE 5:1

3.95
3.30
[.155]
[.130]

5.46
4.83
[.215]
[.190]



SECTION C-C SCALE 5:1



0.38±0.025 [.015]±.001

FINISH	INSULATION RANGE	WIRE SIZE	PART NO
6 4 PRE-TIN			42474-8
5 4 TIN			42474-7
5 5 -			42474-6
5 5 SILVER .000120 MIN	2.794-3.81	18-14 AWG	42474-5
4 4 TIN	[.110-.150] DIA		42474-4
4 3 -			42474-3
5 5 TIN			42474-2
5 5 -			42474-1

- 1 CONTINUOUS STRIP ON REELS.
- 2 FEED TO BE .540#.005.
- 3 REVERSED REEL OF 42474-1.
- 4 REVERSED REEL OF 42474-2.
- 5 FOREIGN PRODUCTION ONLY.
- 6 LUBRICANT APPLIED AFTER TIN PLATING.

THIS DRAWING IS A CONTROLLED DOCUMENT.		DWN JR RUTH 1/31/91	STE TE Connectivity	
DIMENSIONS: mm [INCHES]		CHK MS FEHER 1/31/91		
TOLERANCES UNLESS OTHERWISE SPECIFIED:		APVD C MEYERS 1/31/91	NAME TAB, FASTON™ .250 SERIES	
0 PLC ± -		PRODUCT SPEC -	SIZE CAGE CODE DRAWING NO RESTRICTED TO	
1 PLC ± -		APPLICATION SPEC -	A3 00779 C-42474	
2 PLC ± -		WEIGHT 0.000000	SCALE 4:1 SHEET 1 OF 1 REV V3	
3 PLC ± .015		CUSTOMER DRAWING		
4 PLC ± -				
ANGLES ± -				
MATERIAL BRASS				
FINISH SEE TABLE				