

MATERIAL

Polyethylene based (HMWPE) technopolymer, black colour.

STANDARD EXECUTIONS

- **GLC-20**: with ledge 20 mm.
- **GLC-40**: with ledge 40 mm.

FEATURES AND APPLICATIONS

GLC side guides are used for the side guide of products with different vertical dimensions on conveyor belts.

High molecular weight polyethylene (HMWPE) has a high wear resistance; it is particularly suitable for high-speed movements due to its low coefficient of friction.

Depending on the product to transport, it is recommended to use:

- GLC-20: for the guide of products with limited vertical dimensions (Fig.1);
- GLC-40: for the guide of products with important vertical dimensions (Fig.2);

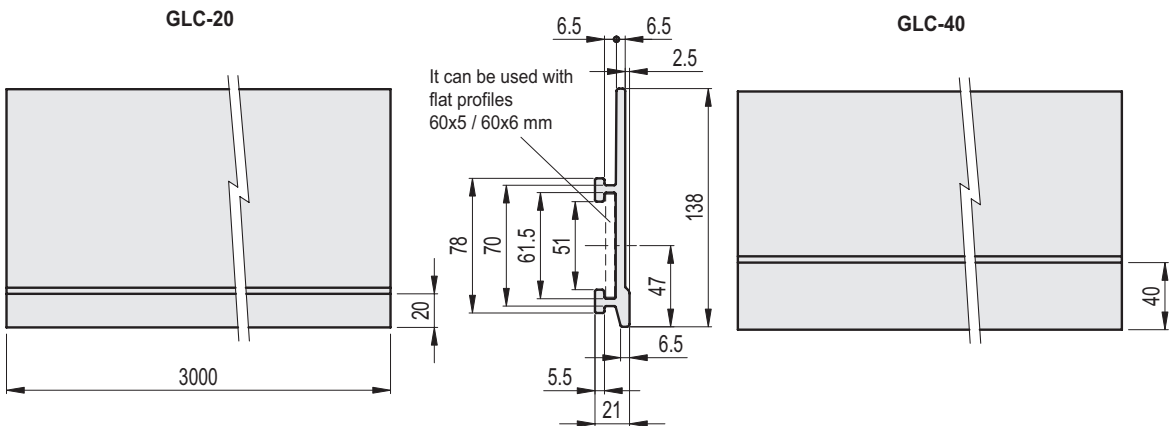
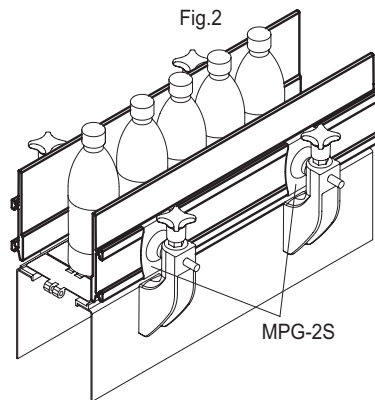
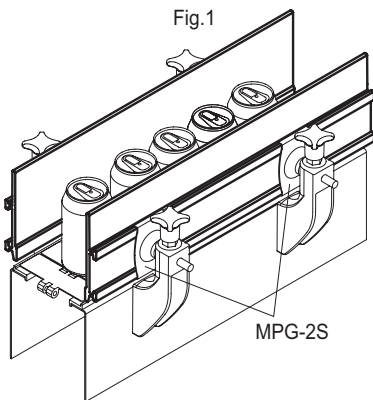
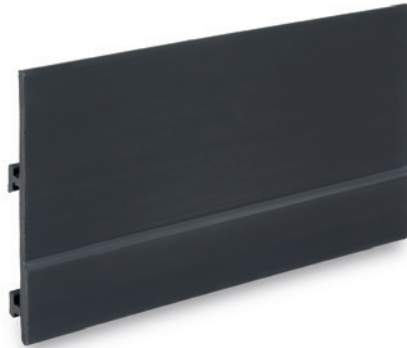
Supplied in bars of 3 meters length.

SPECIAL EXECUTIONS ON REQUEST

Side guides in different colours.

ACCESSORIES ON REQUEST

Guide rail clamps MPG-2S.



GLC-20

METRIC

Code	Description	⚖
419191	GLC-138-20-3000	3300

GLC-40

METRIC

Code	Description	⚖
419192	GLC-138-40-3000	3300

