

- Notes
1. MATERIAL: REFER TO TABLES.
 2. PACKAGE SPEC. REFER TO PK OF 2128600001
 3. PRODUCT SPEC. REFER TO PS OF 2144150001
 4. APPLICATION SPEC. REFER TO AS OF 2144150001

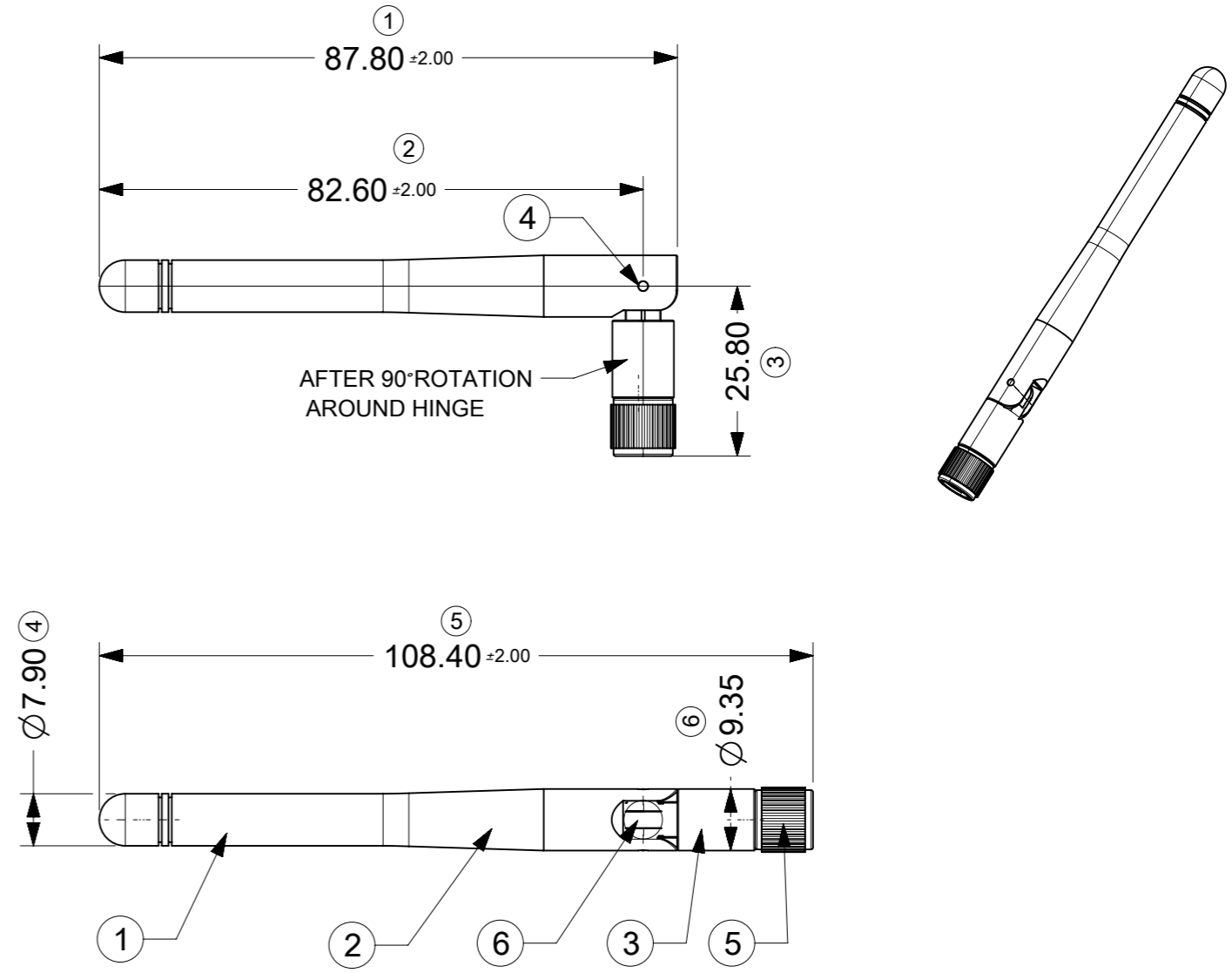
PN:2144150001--MOLEX WIFI/BT ANTENNA HINGED (BLACK, SMA-M)			
NO.	DESCRIPTION	MATERIAL	Q'TY
1	ANTENNA CAP	TPEE, COLOR: BLACK	1
2	UPPER BASE	PBT+PC,COLOR:BLACK	1
3	BOTTOM BASE	PBT+PC, COLOR: BLACK	1
4	RIVET	POM ,COLOR :BLACK	2
5	CONNECTOR	SMA-MALE STRAIGHT PLUG FOR RG-178	1
6	CABLE	RG-178 CABLE TRANSPARENCY BROWN,50Ω	1

PN:2144150011--MOLEX WIFI/BT ANTENNA HINGED (BLACK, RP-SMA-M)			
NO.	DESCRIPTION	MATERIAL	Q'TY
1	ANTENNA CAP	TPEE, COLOR: BLACK	1
2	UPPER BASE	PBT+PC,COLOR:BLACK	1
3	BOTTOM BASE	PBT+PC, COLOR: BLACK	1
4	RIVET	POM ,COLOR :BLACK	2
5	CONNECTOR	RP-SMA-MALE STRAIGHT PLUG	1
6	CABLE	RG-178 CABLE TRANSPARENCY BROWN,50Ω	1

PN:2144151001--MOLEX WIFI/BT ANTENNA HINGED (WHITE, SMA-M)			
NO.	DESCRIPTION	MATERIAL	Q'TY
1	ANTENNA CAP	TPEE, COLOR: WHITE	1
2	UPPER BASE	PBT+PC,COLOR:WHITE	1
3	BOTTOM BASE	PBT+PC, COLOR: WHITE	1
4	RIVET	POM ,COLOR :WHITE	2
5	CONNECTOR	SMA-MALE STRAIGHT PLUG FOR RG-178	1
6	CABLE	RG-178 CABLE TRANSPARENCY BROWN,50Ω	1

PN:2144151011--MOLEX WIFI/BT ANTENNA HINGED (WHITE,RP- SMA-M)			
NO.	DESCRIPTION	MATERIAL	Q'TY
1	ANTENNA CAP	TPEE, COLOR: WHITE	1
2	UPPER BASE	PBT+PC,COLOR:WHITE	1
3	BOTTOM BASE	PBT+PC, COLOR: WHITE	1
4	RIVET	POM ,COLOR :WHITE	2
5	CONNECTOR	RP-SMA-MALE STRAIGHT PLUG FOR RG-178	1
6	CABLE	RG-178 CABLE TRANSPARENCY BROWN,50Ω	1

REV	CHANGE HISTORY	DATE
A	FIRST RELEASE	20191009
B	NO DRAWING CONTENT CHANGE,JUST CHANGE THE DRAWING TYPE	20191122



CONFIGS	PN	DESCRIPTION
1	2144150001	MOLEX WIFI/BT ANTENNA HINGED (BLACK, SMA-M)
2	2144150011	MOLEX WIFI/BT ANTENNA HINGED (BLACK, RP-SMA-M)
3	2144151001	MOLEX WIFI/BT ANTENNA HINGED (WHITE, SMA-M)
4	2144151011	MOLEX WIFI/BT ANTENNA HINGED (WHITE, RP-SMA-M)

SYMBOLS		THIS DRAWING CONTAINS INFORMATION THAT IS PROPRIETARY TO MOLEX ELECTRONIC TECHNOLOGIES, LLC AND SHOULD NOT BE USED WITHOUT WRITTEN PERMISSION	
▽ = 0	mm	CURRENT REV DESC:	
▽ = 0	GENERAL TOLERANCES (UNLESS SPECIFIED)	EC NO: 627922	
▽ = 0	ANGULAR TOL ± °	DRWN: CZHOU05 2019/11/22	
▽ = 0	4 PLACES ±	CHK'D: KCHENG06 2019/11/28	
▽ = 0	3 PLACES ± 0.2	APPR: KCHENG06 2019/11/28	
▽ = 0	2 PLACES ± 0.3	INITIAL REVISION:	
▽ = 0	1 PLACE ± 0.4	DRWN: CZHOU05 2019/10/17	
▽ = 0	0 PLACES ±	APPR: WORKFLOWGUY 2019/10/28	
■ = 0	DRAFT WHERE APPLICABLE MUST REMAIN WITHIN DIMENSIONS	THIRD ANGLE PROJECTION	DRAWING
▽ = 0		A3-SIZE	SERIES
		214415	MATERIAL NUMBER
		SEE TABLE	CUSTOMER
			SHEET NUMBER
			1 OF 1