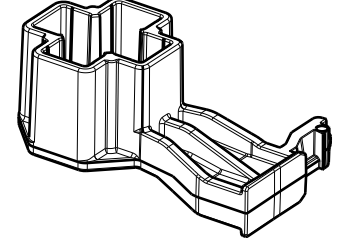
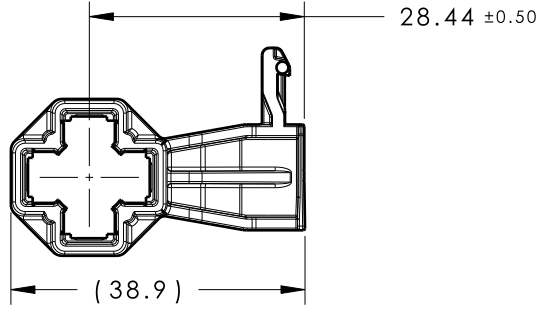
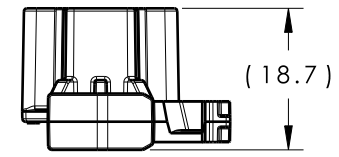
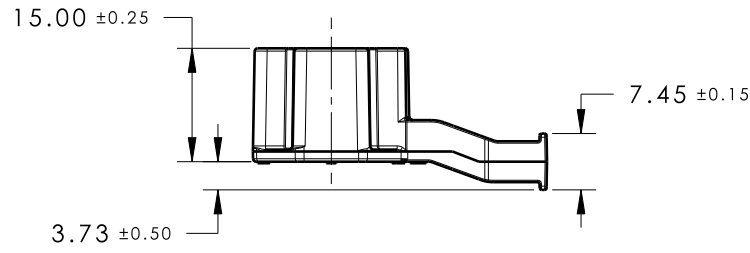


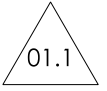
Revision Level			Revision Record	Changed	Date	Approved	Date
Drawing	State	Part					
01.1	Design Release	-	SEE ECN# 015056	EJF	4/5/19	TAT	4/5/19



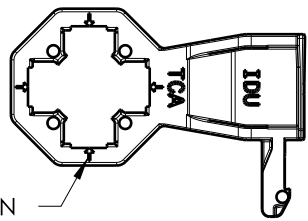
ISOMETRIC VIEW



- REFERENCE:
1. STUD MOUNT PUSH ON FORCE: 45 NEWTONS (10 LBS) MAX ON EACH APPLICABLE STUD SIZE
 2. STUD MOUNT PULL OFF FORCE: 222 NEWTONS (50 LBS) MIN ON EACH APPLICABLE STUD SIZE
 3. APPLICABLE STUD SIZE:
A. M10 x 1.5
 4. DESIGNED TO MEET PUSH ON/PULL OFF FORCES OF SAE/USCAR-2
 5. FITS INTO USCAR CLIP SLOT SPECIFICATION EWCAP-005-7 (NOT A TEST SPEC.)
 6. MAXIMUM PERCENT REGRIND PERMISSIBLE: 25%
 7. MAX ALLOWABLE MISMATCH TO BE: 0.1mm
 8. MAX ALLOWABLE FLASH TO BE: 0.25mm



ARROWS POINT IN DIRECTION OF INSTALLATION



GLOBAL PART DESCRIPTION	MATERIAL	COLOR
CCM10SO28R-PA66HIRHSUV-BK	PA66HIRHSUV	BLACK

Material SEE CHART COLOR: SEE CHART	Units millimeters	The copyright of this drawing is reserved by HellermannTyton. It is issued on condition that it is not reproduced, copied or disclosed to a third party, either wholly or in part, without the consent of HellermannTyton.	Drawn	EJF	10/9/18	Article/Type-No	CCM10SO28R	Scale	1:1	
	Tolerance defined on each dimension		Approved	NHK	10/9/18	Title	M10 STUD MOUNT WITH OFFSET 7MM CONNECTOR CLIP	Project Number	18-2309	
			 North America Email: corp@htamericas.com Web: www.hellermann.tyton.com			Drawing-No	18-2309-001-CSU	Production : Phase	Format	AH
						Sheet	1/1			