

# Bus system connector - SACC-MS-5SC SH DN SCO - 1432761

Please be informed that the data shown in this PDF Document is generated from our Online Catalog. Please find the complete data in the user's documentation. Our General Terms of Use for Downloads are valid (<http://phoenixcontact.com/download>)



Bus system connector, CANopen<sup>®</sup>, DeviceNet<sup>™</sup>, 5-position, shielded, Plug straight M12, A-coded, Spring-cage connection, knurl material: Zinc die-cast, nickel-plated, external cable diameter 4 mm ... 8 mm

## Your advantages

- ✓ Safe use in the field, thanks to a high degree of protection
- ✓ Flexible: connectors for on-site assembly
- ✓ Save time, thanks to installation with SPEEDCON fast locking system
- ✓ Spring-cage connection: connect more securely, even in the case of shock and vibration, thanks to high contact forces
- ✓ Reliable signal transmission - 360° shielding in environments with electromagnetic interference



## Key Commercial Data

|              |               |
|--------------|---------------|
| Packing unit | 1 pc          |
| GTIN         |               |
| GTIN         | 4046356348416 |

## Technical data

### Dimensions

|   |               |
|---|---------------|
| External diameter                       | 4 mm ... 8 mm |
| Stripping length of the sheath          | 33 mm         |
| Stripping length of the individual wire | 10 mm         |

### Ambient conditions

|                                 |                                  |
|---------------------------------|----------------------------------|
| Ambient temperature (operation) | -40 °C ... 85 °C (Plug / socket) |
| Degree of protection            | IP65/IP67                        |

### General

|                       |         |
|-----------------------|---------|
| Rated current at 40°C | 4 A     |
| Rated voltage         | 60 V DC |
|                       | 48 V AC |
| Number of positions   | 5       |

# Bus system connector - SACC-MS-5SC SH DN SCO - 1432761

## Technical data

### General

|                             |  |
|-----------------------------|--|
| Insulation resistance       | ≥ 100 MΩ   |
| Coding                      | A - standard   |
| Standards/regulations       | M12 connector IEC 61076-2-101                                      |
|                             | Shock, vibration EN 50155:2001                                     |
| Signal type/category        | CANopen®   |
|                             | DeviceNet™   |
| Status display              | No   |
| Overvoltage category        | II   |
| Degree of pollution         | 3  |
| Connection method           | Spring-cage connection   |
| Conductor cross section     | 0.14 mm² ... 0.5 mm²   |
| Conductor cross section AWG | 26 ... 20  |
| Insertion/withdrawal cycles | ≥ 100  |
| Torque                      | 0.4 Nm (M12 knurl)   |
|                             | 0.8 Nm (Connector with coupling sleeve)                            |
|                             | 3 Nm (Pressure nut with coupling sleeve)                           |
| Assembly instructions       | AWG 18 wire cross section upon request                             |
|                             | The wires can be connected both with ferrules and without ferrules |

### Material

|  |                              |
|--|------------------------------|
| Flammability rating according to UL 94 | V0                           |
| Contact material                       | CuSn                         |
| Contact surface material               | Ni/Au                        |
| Contact carrier material               | TPU                          |
| Material of grip body                  | Zinc die-cast, nickel-plated |
| Material, knurls                       | Zinc die-cast, nickel-plated |
| Sealing material                       | NBR                          |

### Standards and Regulations

|  |                  |
|--|------------------|
| Standard designation                   | M12 connector    |
| Standards/regulations                  | IEC 61076-2-101  |
| Standard designation                   | Shock, vibration |
| Standards/regulations                  | EN 50155:2001    |
| Connection in acc. with standard       | CUL              |
| Flammability rating according to UL 94 | V0               |

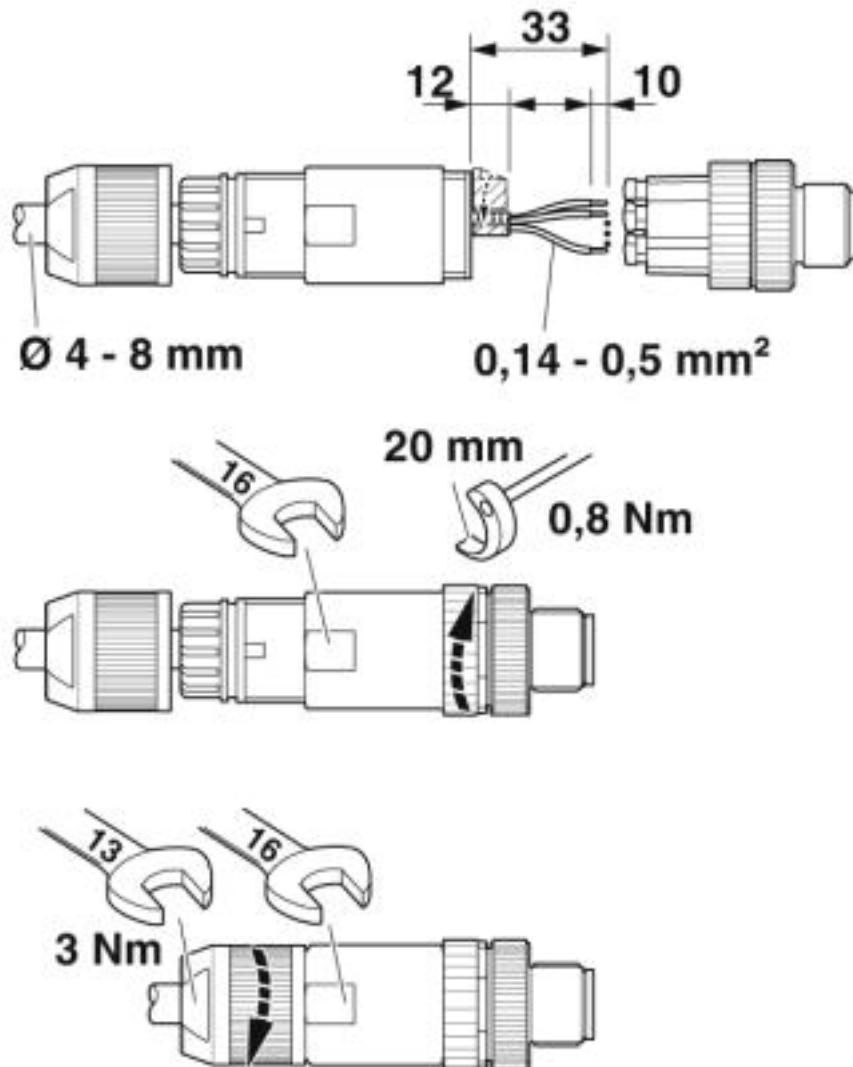
### Environmental Product Compliance

|            |   |
|------------|---|
| China RoHS | Environmentally friendly use period: unlimited = EFUP-e |
|            | No hazardous substances above threshold values          |

## Drawings

## Bus system connector - SACC-MS-5SC SH DN SCO - 1432761

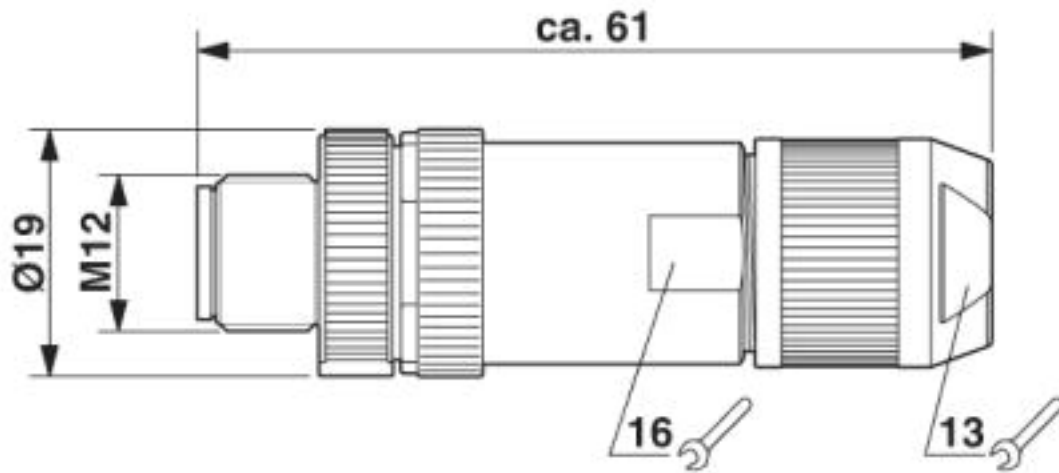
Functional drawing



Slide the pressure nut and sleeve housing along the cable, strip the cable, shorten the shield, strip the single wires, connect the wires, in the case of a straight sleeve housing gently twist the wires together, stick the shielding foil around the shortened shield, in the case of a cable outside diameter  $< 6 \text{ mm}$  stick an additional shielding foil around the wire pack, screw the sleeve housing to the plug insert, screw the pressure nut tight.

## Bus system connector - SACC-MS-5SC SH DN SCO - 1432761

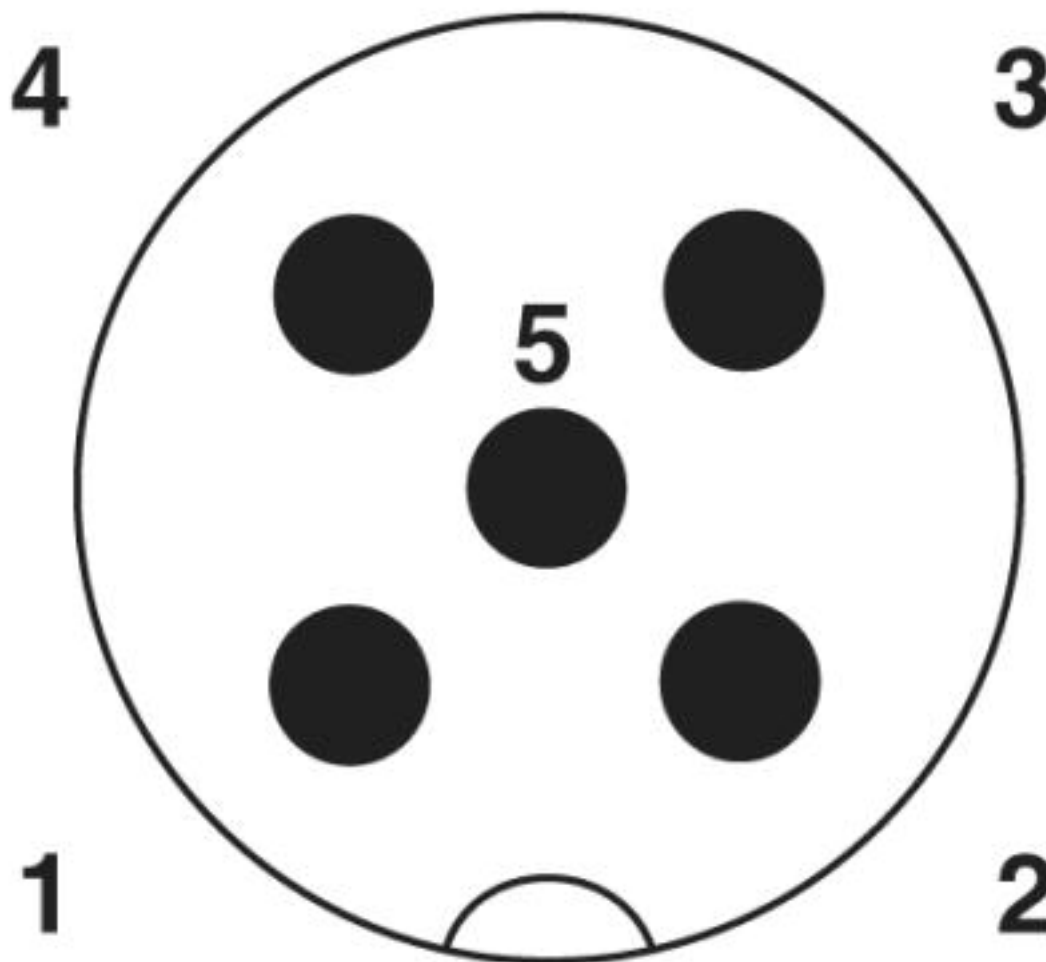
Dimensional drawing



M12 SPEEDCON plug, straight, shielded

## Bus system connector - SACC-MS-5SC SH DN SCO - 1432761

Schematic diagram



Pin assignment M12 male connector, 5-pos., A-coded, male side

---

Phoenix Contact 2019 © - all rights reserved  
<http://www.phoenixcontact.com>

PHOENIX CONTACT GmbH & Co. KG  
Flachsmarktstr. 8  
32825 Blomberg  
Germany  
Tel. +49 5235 300  
Fax +49 5235 3 41200  
<http://www.phoenixcontact.com>