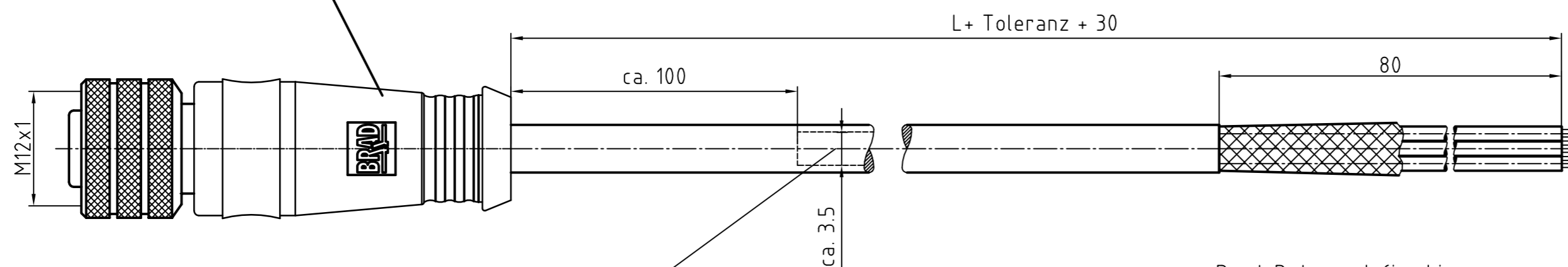
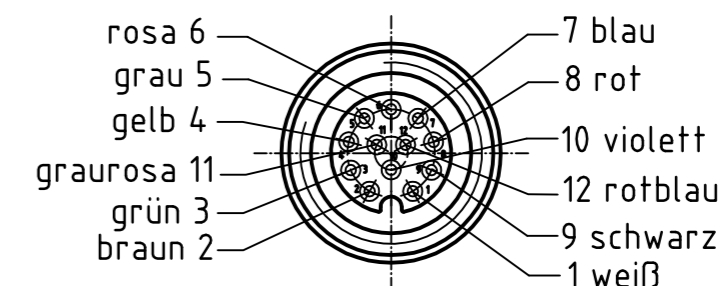


Overmold PUR see Table
 Umspritzung PUR siehe Tabelle



Mating Side
 Female Cable Connector/
 Steckseite
 Kabeldose geschirmt
 12-Pol



Cable printing:
Kabelbedruckung: Woodhead Connectivity GmbH 80CS00P45MXXX X..

Prod. Date as defined in
 Fertigungsdatum gemäß
 WN 00001 aufdrucken

| | | | |
|---|---|-------------------------|---|
| Allgemeine Kennwerte General Characteristics | | Norm Standard | |
| Polzahl Kontaktanordnung | Number of contacts Contact configuration | IEC 947-5-2 | 12 |
| Bemessungsspannung | Rated Voltage | IEC 664 | 30V AC / DC |
| Verschmutzungsgrad | Pollution Degree | IEC 664 | 3 |
| Betriebsstrom | Current carrying capacity | IEC 512-3 Test 5 b | 1,5A |
| Durchgangswiderstand | Contact Resistance | IEC 512-2 Test 2 a | < 5mOhm |
| Bemessungsstoßspannung | Rated Impulse Withstand Voltage | IEC 664 | 0,8 kV |
| Prüfspannung | Test Voltage | IEC 60512-2 Test 4 A | 0,5 kV / 60 sec |
| Isolationswiderstand | Insulation Resistance | IEC 512-2 Test 3 A | > 10 GOhm |
| IP-Schutzart | IP Degree of Protection | IEC 529 | IP 67 |
| Stiftdurchmesser | Pin Diameter | | 0,6 mm |
| Werkstoffe | Kontakte | Materials | Kupferlegierung / copper alloy |
| | Kontaktoberfläche | | Au/Ni |
| | Kontaktträger | | PUR |
| | Gehäuse (Umspritzung) | | PUR |
| | Dichtung (O-Ring) | | VITON |
| | Schraubhülse | | CuZn (brass) mit Ni-Oberfläche Nickel Plated |
| Anschlussart | | Termination | Crimp |
| Brennbarkeit | Kontaktträger | Flammfähigkeit | HB |
| | Gehäuse (Umspritzung) | | HB |
| | Leitung / Kabel | | UL 94 DIN EN265-2-1/UL1581-VW1-Page 95A |
| Mechanische Lebensdauer | Mechanical Operation | | 100 Steckzyklen/Mating Cycles |
| Temperaturbereich | Temperature Range | IEC 60668-1 | -25°C / +90°C |

| SAP-Nummer | Engineering Nr.: | Umspritzungsfarbe | Länge |
|------------|------------------|-------------------|--------|
| SAP-Nummer | | Overmold Color | Length |
| 1200695017 | 80CS00P45M020 | yellow | 2M |
| 1200695018 | 80CS00P45M040 | yellow | 4M |
| 1200695019 | 80CS00P45M050 | yellow | 5M |
| 1200695020 | 80CS00P45M060 | yellow | 6M |
| 1200695021 | 80CS00P45M100 | yellow | 10M |
| | | | |
| 1200695036 | 80CS00P45M020G | black | 2M |
| 1200695037 | 80CS00P45M040G | black | 4M |
| 1200695038 | 80CS00P45M060G | black | 5M |
| 1200695039 | 80CS00P45M060G | black | 6M |
| 1200695040 | 80CS00P45M100G | black | 10M |

| Toleranzen Maß L: sichtbare Kabellänge bei M8, M12 und M12U | |
|--|--------------|
| von 0 bis 0.6 m: | ±10 mm |
| über 0.6 bis 1 m: | +30 / -10 mm |
| über 1 bis 5 m: | ±25 mm |
| über 5 bis 20 m: | ±30 mm |
| über 20 m: | ±50 mm |

| | |
|--|---|
| BU/ BLUE WH/WHITE GN/ GREEN GY/ GREY PK/ PINK YE/ YELLOW RD/ RED BK/ BLACK VT/ VIOLET BN/ BROWN | bl/blau ws/weiß gn/ grün gr/ grau rs/ rosa ge/ gelb rt/ rot sw/schwarz vi/ violett bn/ braun |
|--|---|

| | | | | | | | |
|---|------------------------------------|--|------|---------------------------|----------------------------------|---------------------------------|------------------------|
| DESCRIPTION EC NO: WEU2009-0137 DRWN: LSTEMMLE 2008/07/23 CHKD: LS 2008/11/06 APPR: USAEUFFE 2008/11/26 | QUALITY SYMBOLS ▽ = 0 ▽C = 0 | GENERAL TOLERANCES (UNLESS SPECIFIED) | | DIMENSION STYLE | SCALE | DESIGN UNITS | FIRST ANGLE PROJECTION |
| | | mm | INCH | MM | 2:1 | METRIC | |
| 2 | REV | DRAFT WHERE APPLICABLE MUST REMAIN WITHIN DIMENSIONS | | DRAWN BY LS | DATE 2008/07/23 | M12S-12P-BU-Z- PUR/SCHIRM-XM | |
| | | SIZE A2 | | APPROVED BY US | DATE 2008/11/06 | MOLEX INCORPORATED | |
| | | | | MATERIAL NO. see table | DOCUMENT NO. SD-80CS00P45MXXX | SHEET NO. 1 OF 1 | |
| THIS DRAWING CONTAINS INFORMATION THAT IS PROPRIETARY TO MOLEX INCORPORATED AND SHOULD NOT BE USED WITHOUT WRITTEN PERMISSION | | | | | | | |

(...) Dim. for information
 (...) Informationsmaß