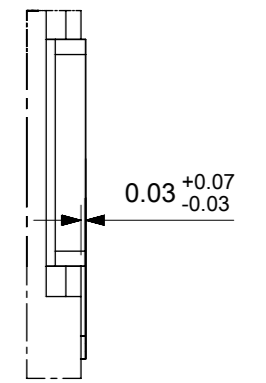
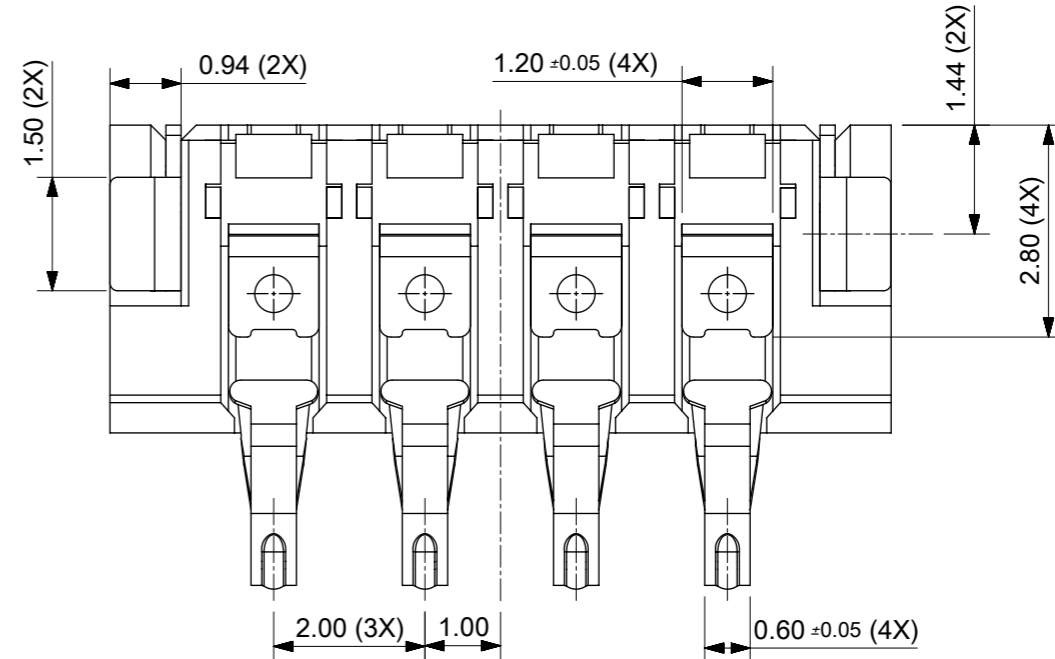
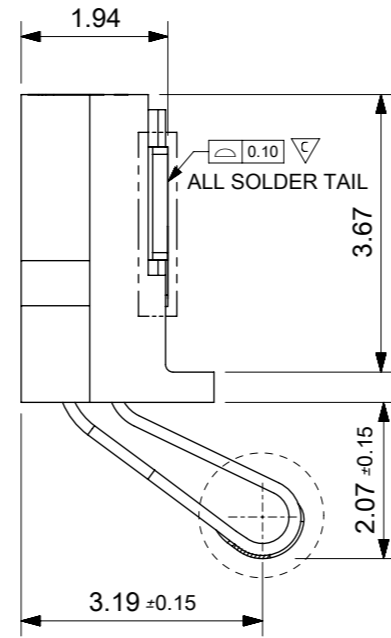
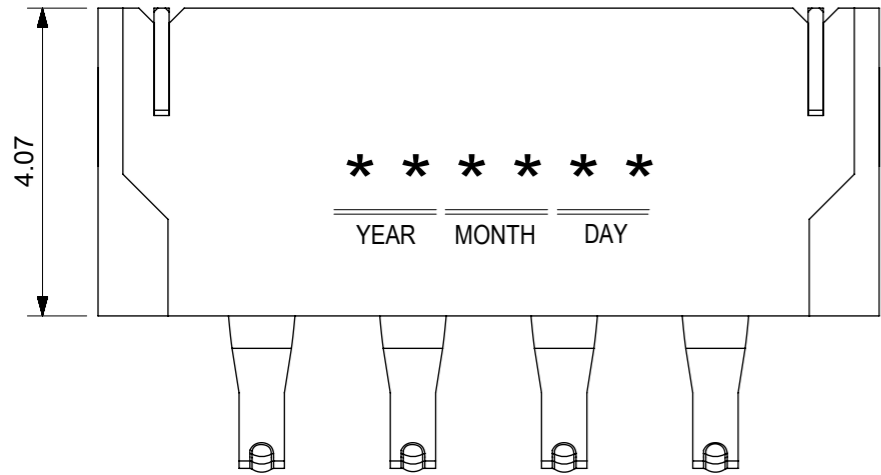
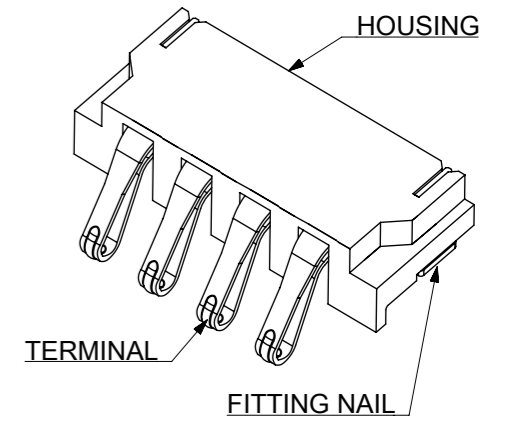
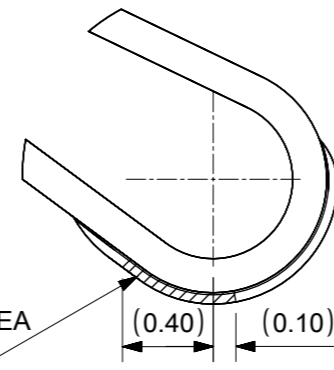


RECOMMENDED PCB LAYOUT
DEFAULT TOLERANCE : +/-0.05MM



DETAIL 1



DETAIL 2

NOTES:

- 1 MATERIAL:
TERMINAL : BERYLLIUMCOPPER
HOUSING : HIGH TEMPERATURE THERMAL PLASTIC
FITTING NAIL : BRASS
- 2 FINISH:
TERMINAL : 50u" Min NICKEL UNDER PLATED
30u" Min GOLD PLATING ON CONTACT AREA
GOLD FLASH ON SOLDERING AREA
FITTING NAIL : 100u" Min TIN ALLOY OVER 50u" Min NICKEL OVERALL
3. PRODUCT SPECIFICATION : PS-105080-001
4. PACKAGEING SPECIFICATION : PK-47618-001
5. NORMAL FORCE SPEC:
COMPRESS 1.37MM, READING DATA AT LOADING CURVE
45+/-25gf AT 0.63mm DEFLECTION
70+/-25gf AT 1.0mm DEFLECTION
210gf MAX AT 1.37mm DEFLECTION
6. COMPLIANT TO RoHS DIRECTIVE 2011/65/EU
AND ELV DIRECTIVE 2000/53/EC

(IN SHADOW)
CONTACT AREA
ON DIMPLE

THIS DRAWING CONTAINS INFORMATION THAT IS PROPRIETARY TO MOLEX ELECTRONIC TECHNOLOGIES, LLC AND SHOULD NOT BE USED WITHOUT WRITTEN PERMISSION

CORRECT PCB EDGE	EC NO: 113907	2017/02/20	GENERAL TOLERANCES (UNLESS SPECIFIED)	DIMENSION UNITS	SCALE				
	DRWN: AWANG17	2017/02/27	ANGULAR TOL ± 3.0 °	MM					
	CHK'D: XQZHANG		4 PLACES ±	DRWN BY	DATE				
	APPR:		3 PLACES ±	YPWU	2009/04/10				
			2 PLACES ± 0.13	CHK'D BY	DATE	SALES DRAWING 4 PIN 2.0MM PITCH BATTERY CONNECTOR			
			1 PLACE ±	CHKD BY	DATE				
			0 PLACES ±	APPR BY	DATE				
			DRAFT WHERE APPLICABLE MUST REMAIN WITHIN DIMENSIONS	DRAWING SIZE	THIRD ANGLE PROJECTION	PRODUCT CUSTOMER DRAWING			
				A3		SERIES	MATERIAL NUMBER	CUSTOMER	
						105080	1050801001	GENERAL MARKET	
						DOCUMENT NUMBER	DOC TYPE	DOC PART	SHEET NUMBER
						SD-105080-001	PSD	000	1 OF 1