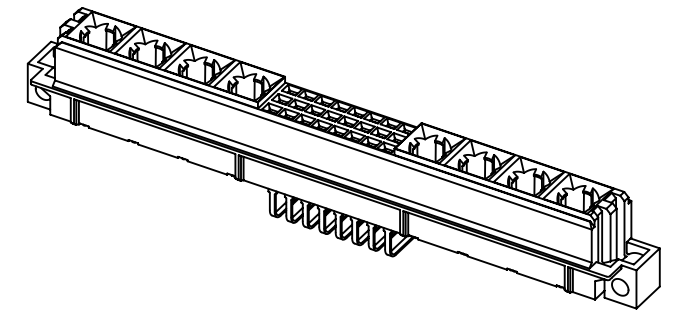
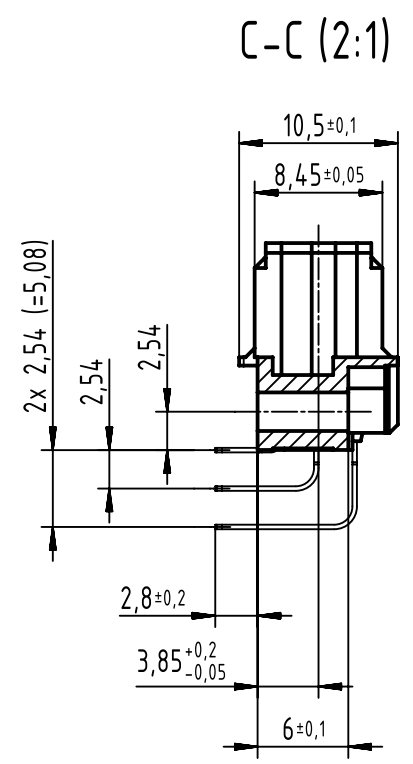


24 signal contacts
 ☒ = position with contact
 □ = position without contact



② hole diameter is to be coordinated with the respective contact
 ① further information see: DS 09732200203

09732246801	2
part no.	performance level ①

	All Dimensions in mm Original Size DIN A3		Scale 1:1	Free size tol. complementary IEC 60603-2		Ref. Sub. TB 0973224x801 / ECM 500000083791 / 2015-02-10	
	All rights reserved Department EC PD - DE		Created by HASELOH	Inspected by LUECKEMEIERM	Standardisation HOFFMANN	Date 2015-06-08	State Final Release
HARTING Electronics GmbH D-32339 Espelkamp		Title DIN Signal type M24+8 invers female connector 24-pole				Doc-Key / ECM-Nr. 100542433/UGD/003/B 500000089713	
		Type TB	Number 0973224X801		Rev. B	Page 1/1	