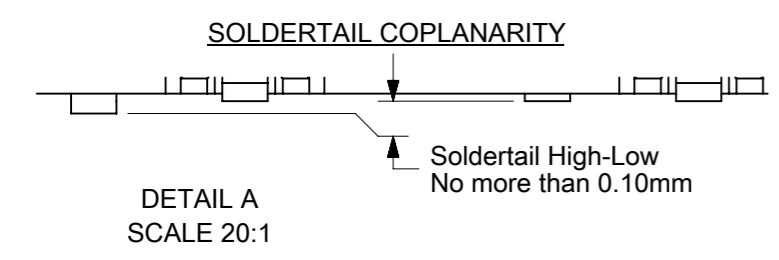
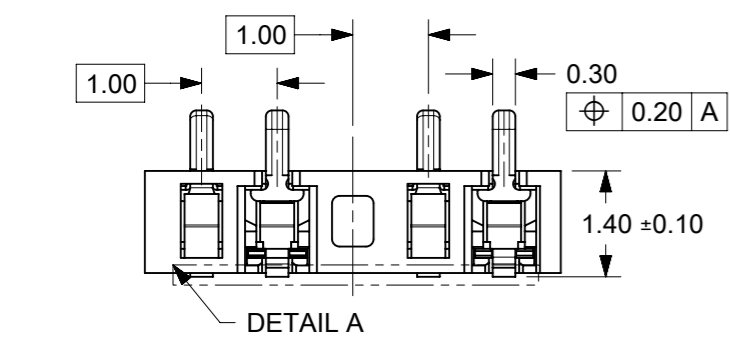
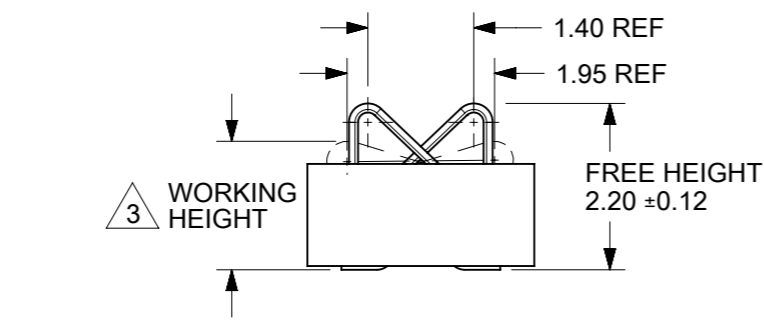
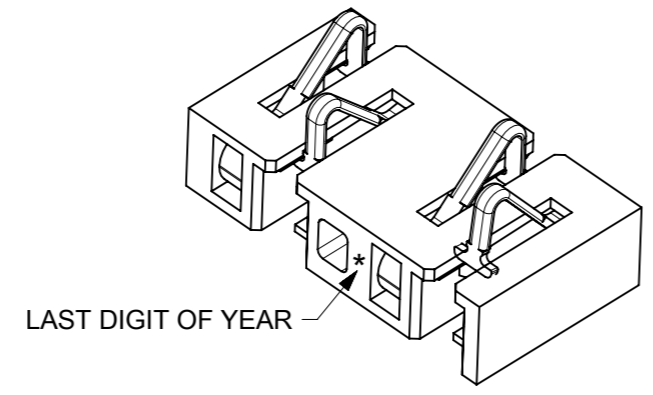
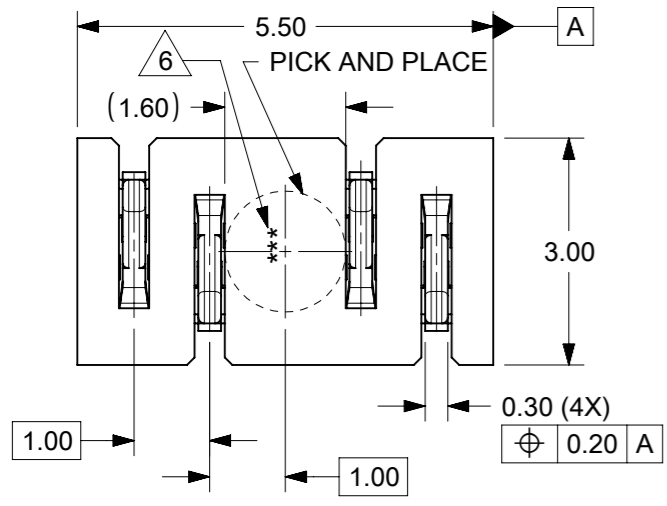
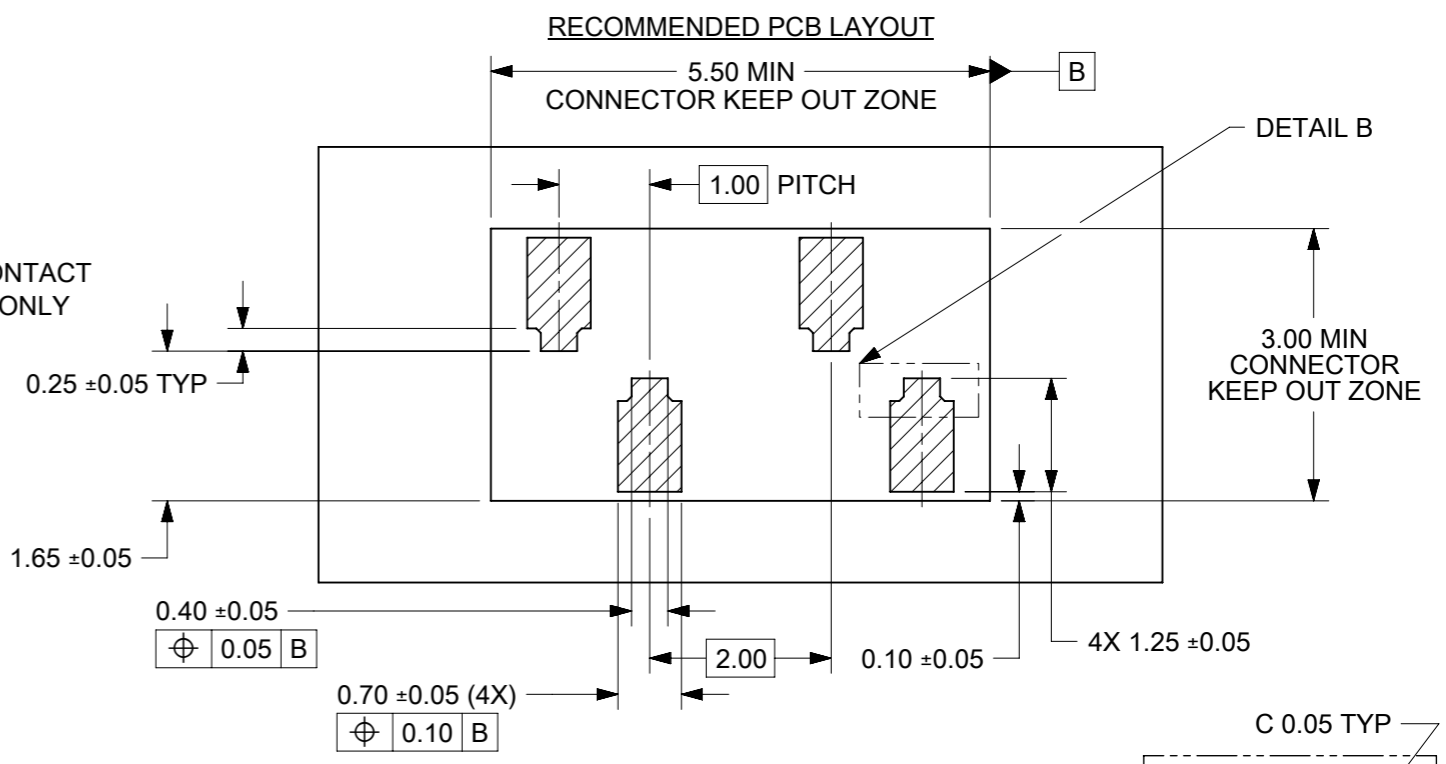
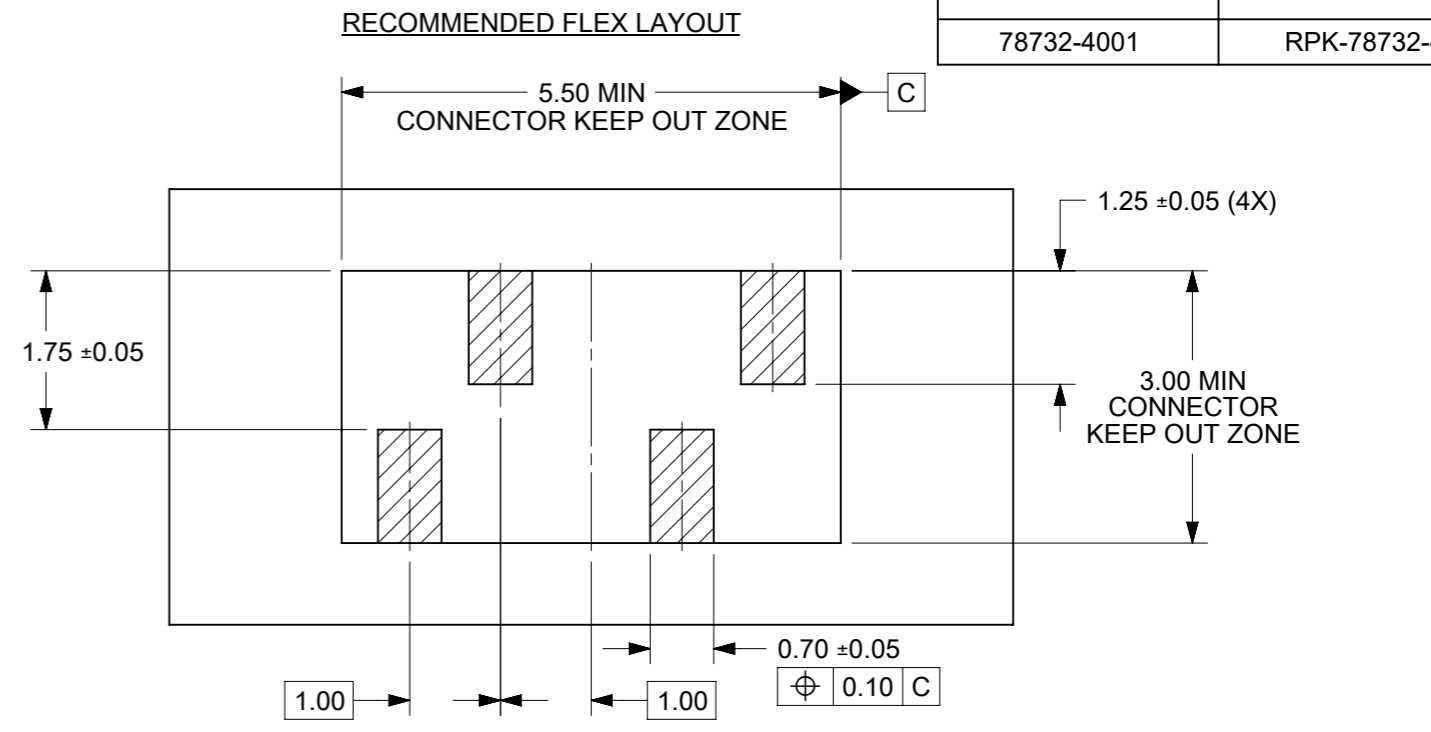
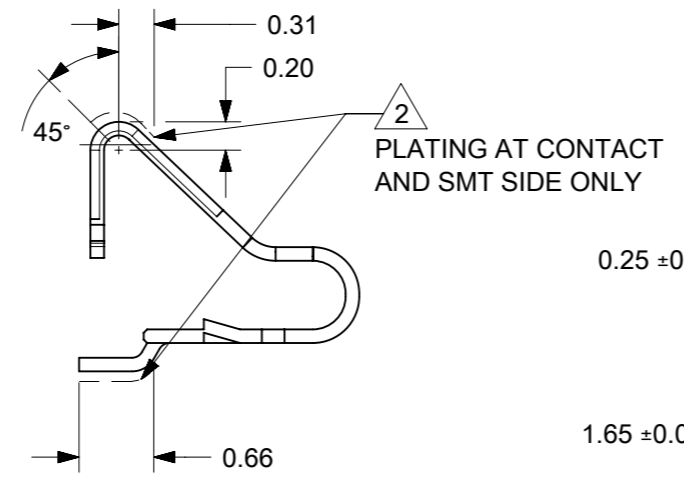


PRODUCT NAME	PACKAGING DRAWING
78732-4001	RPK-78732-401



TERMINAL PLATING SPECIFICATION



- NOTES:**
- MATERIALS:**
HOUSING: LCP,30% GLASS FILLED.COLOUR: BLACK
CONTACT: TITANIUM COPPER TiCu
 - FINISH:**
CONTACT AREA: 0.38 MICRO-METER(15 MICRO-INCH) MIN. GOLD
OVER 1.27 MICRO-METER
(50 MICRO-INCH) MIN NICKEL UNDERPLATE.
SMT TAIL AREA: 1.27 MICRO-METER
(50 MICRO-INCH MIN.) PURE TIN (MATTE)
OVER 1.27 MICRO-METER
(50 MICRO-INCH) MIN. NICKEL UNDERPLATE.
OTHER AREA PLATING: 1.27 MICRO-METER
(50 MICRO-INCH) MIN NICKEL OVERALL
 - AT 1.63mm WORKING HEIGHT, FORCE IS 50g +25g/-10g AT LOADING CURVE
 - PRODUCT SPECIFICATION SEE PS-78732-1001&RPS-78732-001.
 - LAST DIGIT OF THE YEAR TO BE LOCATED.
 - DATE CODE TO BE LOCATED.

THIS DRAWING CONTAINS INFORMATION THAT IS PROPRIETARY TO MOLEX ELECTRONIC TECHNOLOGIES, LLC AND SHOULD NOT BE USED WITHOUT WRITTEN PERMISSION											
DIMENSION UNITS		SCALE		CURRENT REV DESC: OBSOLETE PART NUMBERS AS PER PCN#508521						molex	
mm		NTS									
GENERAL TOLERANCES (UNLESS SPECIFIED)											
		MM		INCH							
4 PLACES		±		±							
3 PLACES		±		±							
2 PLACES		± 0.15		±							
1 PLACE		± 0.2		±							
0 PLACES		±		±							
ANGULAR TOL		± 3.0°									
DRAFT WHERE APPLICABLE MUST REMAIN WITHIN DIMENSIONS				THIRD ANGLE PROJECTION		DRAWING		SERIES		MATERIAL NUMBER	
				A3-SIZE		78732		SEE TABLE		GENERAL MARKET	
DOCUMENT STATUS		P1		RELEASE DATE		2021/07/05		08:39:49			