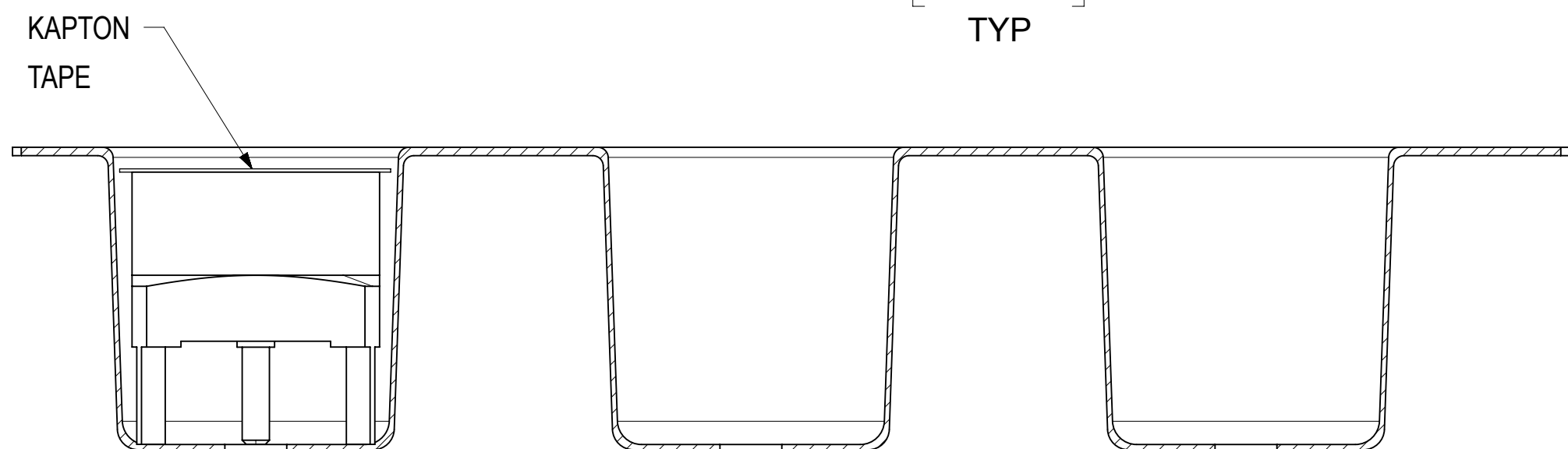
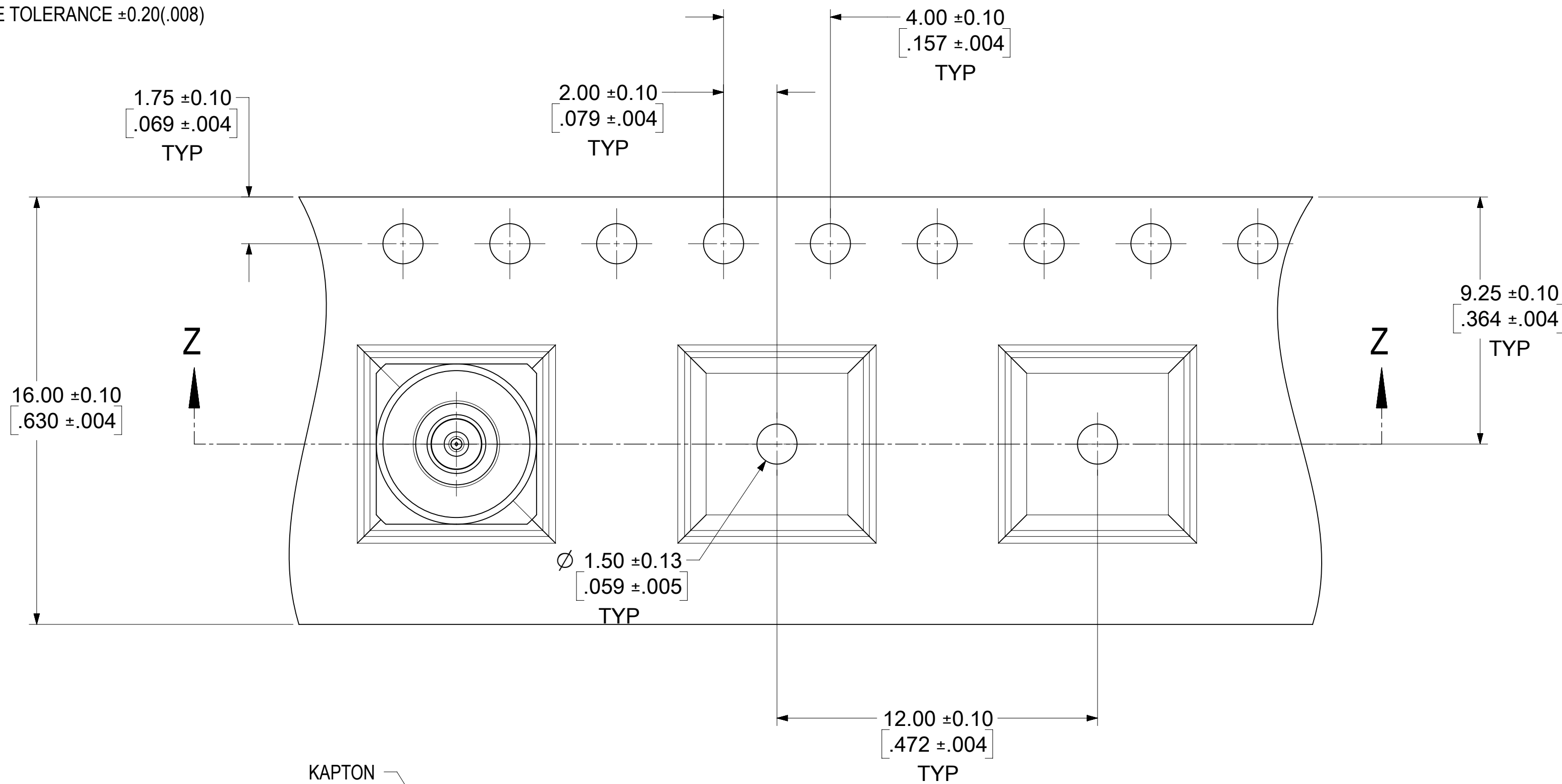
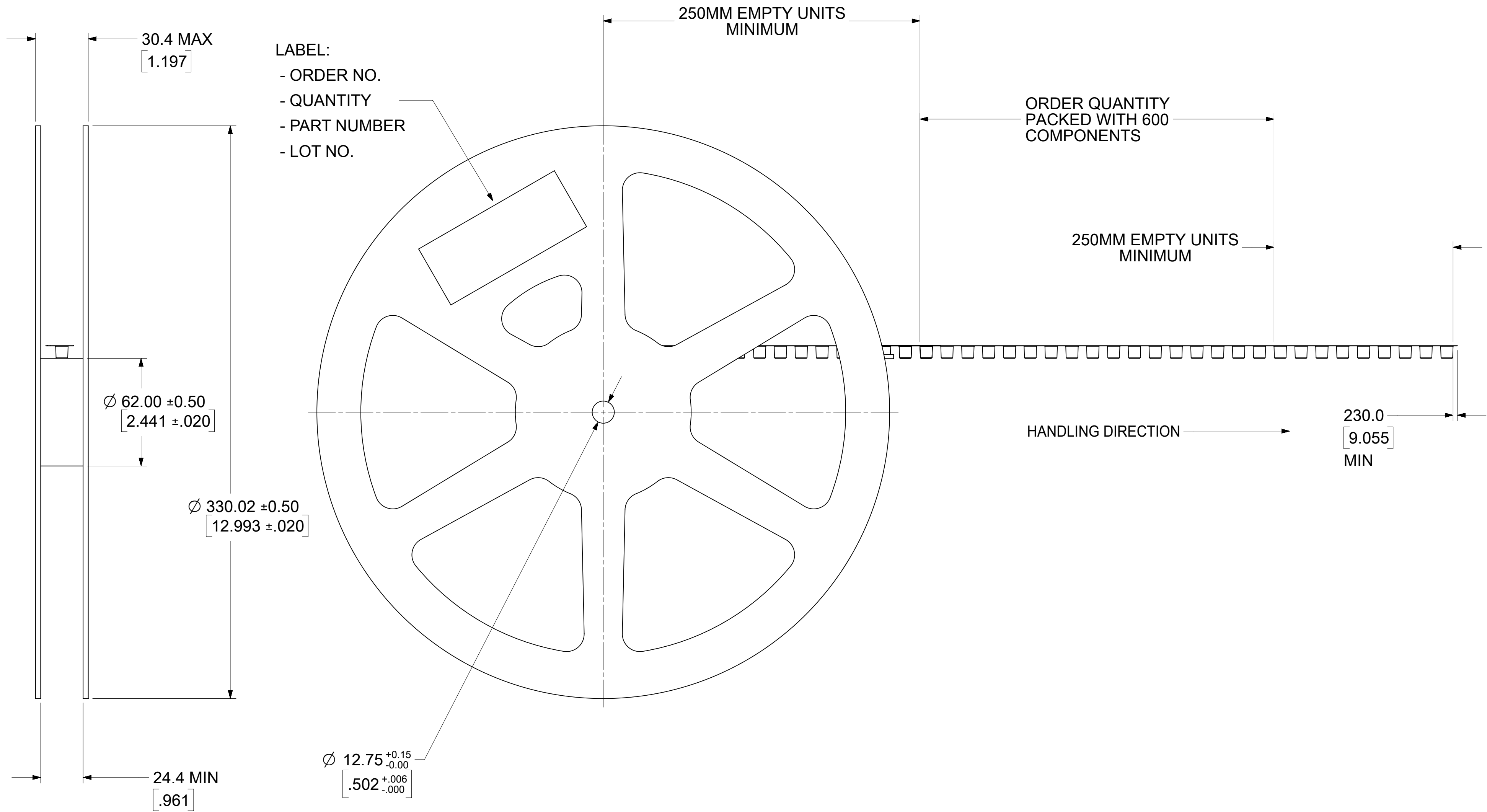


NOTE:
1. 10 PITCHES CUMULATIVE TOLERANCE ±0.20(.008)



SECTION Z-Z

FUNCTIONAL SYMBOLS $\frac{F}{A} = 0$ $\frac{F}{C} = 0$ $\frac{F}{P} = 0$ DIVISIONAL SYMBOLS 4 PLACES ± 3 PLACES ± 2 PLACES ± 0.25 1 PLACE ± 0 PLACES ±	THIS DRAWING CONTAINS INFORMATION THAT IS PROPRIETARY TO MOLEX ELECTRONIC TECHNOLOGIES, LLC AND SHOULD NOT BE USED WITHOUT WRITTEN PERMISSION		CURRENT REV DESC:						
	MM/INCH	NTS	EWR # 15321-E ADDED -6031 PART NO						
	GENERAL TOLERANCES (UNLESS SPECIFIED)		EC NO: 718007		SMP PLUG, STRAIGHT WITH LIMITED DETENTS, PCB EWR-2972, SMP-P/PCB				
	ANGULAR TOL ± 2.0°		DRWN: JSU18 2022/08/11		PRODUCT CUSTOMER DRAWING				
DRAFT WHERE APPLICABLE MUST REMAIN WITHIN DIMENSIONS		THIRD ANGLE PROJECTION		DRAWING SERIES		DOCUMENT NUMBER	DOC TYPE	DOC PART	REVISION
		C-SIZE		73415		SD-73415-603	PSD	001	A2
						MATERIAL NUMBER	CUSTOMER		SHEET NUMBER
							GENERAL MARKET		2 OF 3



THIS DRAWING CONTAINS INFORMATION THAT IS PROPRIETARY TO MOLEX ELECTRONIC TECHNOLOGIES, LLC AND SHOULD NOT BE USED WITHOUT WRITTEN PERMISSION									
FUNCTIONAL SYMBOLS	DIMENSION UNITS	SCALE	CURRENT REV DESC:				molex		
$\frac{F}{A} = 0$	MM/INCH	NTS	EWR # 15321-E ADDED -6031 PART NO				SMP PLUG, STRAIGHT WITH LIMITED DETENTS, PCB EWR-2972, SMP-P/PCB		
$\frac{F}{C} = 0$	GENERAL TOLERANCES (UNLESS SPECIFIED)		EC NO: 718007				PRODUCT CUSTOMER DRAWING		
$\frac{F}{P} = 0$	ANGULAR TOL ± 2.0°		DRWN: JSU18 2022/08/11				DOCUMENT NUMBER		
DIVISIONAL SYMBOLS	4 PLACES ±		CHK'D: YCHENG 2022/08/24				SD-73415-603		
	3 PLACES ±		APPR: YCHENG 2022/08/24				DOC TYPE		
	2 PLACES ± 0.25		INITIAL REVISION:				DOC PART		
	1 PLACE ±		DRWN: TFLAHERTY 2006/08/28				REVISION		
	0 PLACES ±		APPR: JWIENER 2006/08/28				A2		
DRAFT WHERE APPLICABLE MUST REMAIN WITHIN DIMENSIONS			THIRD ANGLE PROJECTION	DRAWING	SERIES	MATERIAL NUMBER	CUSTOMER	SHEET NUMBER	
				C-SIZE	73415		GENERAL MARKET	3 OF 3	