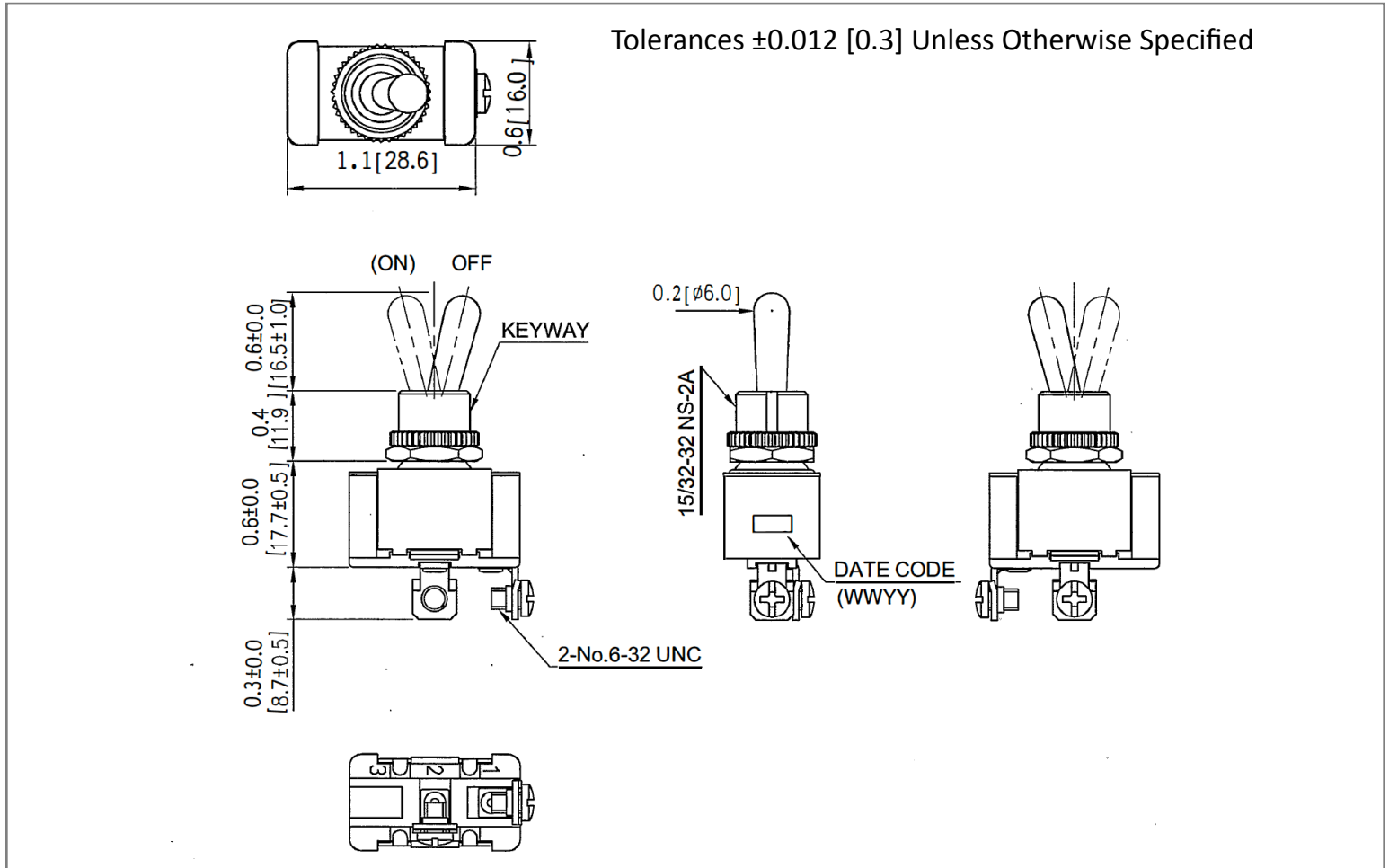
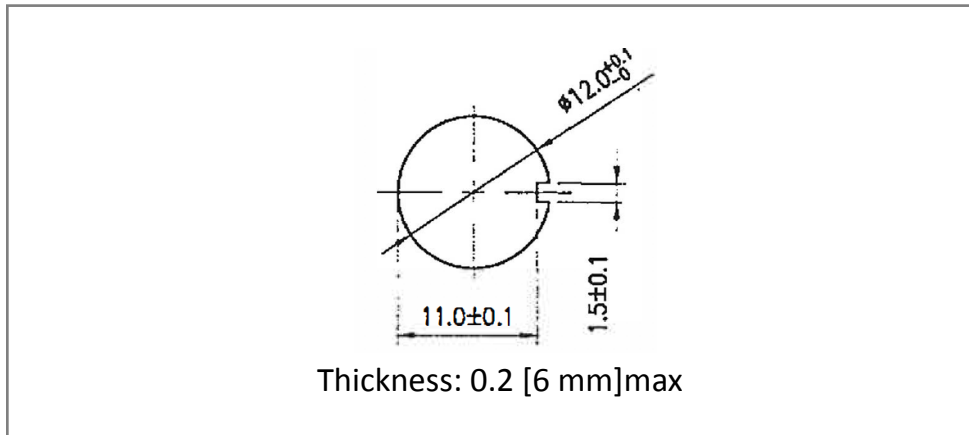


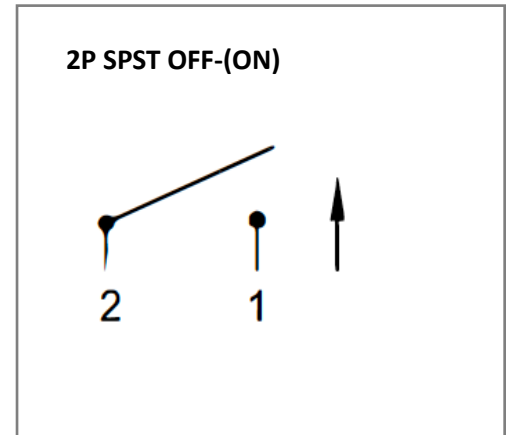
**Mechanical Dimensions: Inches [mm]**



**Mounting Hole**



**Circuit Diagram**



**Electrical Specifications**

Rating	21A 14V DC
Contact Resistance	50m ohm Max
Insulation Resistance	DC 500V 100M ohm Min
Dielectric Strength	AC 1500V 1 minute
Operation Temperature	-20°C ~ 85°C

**Material Specifications**

Operation Force	1100gf $\pm$ 400 gf
	1 hex nut assy
	1 knurl nut assy
	1 Internal O-Ring

**Rev**    **Date of issue**    **Revision Notes**

**Designed**    **Approved**

A	02-18-2019	Initial Drawing	RC	OH
---	------------	-----------------	----	----