

THE INFORMATION CONTAINED HEREIN IS CONSIDERED "PROPRIETARY" TO BEL FUSE INC. AND SHALL NOT BE COPIED, REPRODUCED OR DISCLOSED WITHOUT THE WRITTEN APPROVAL OF BEL FUSE INC.

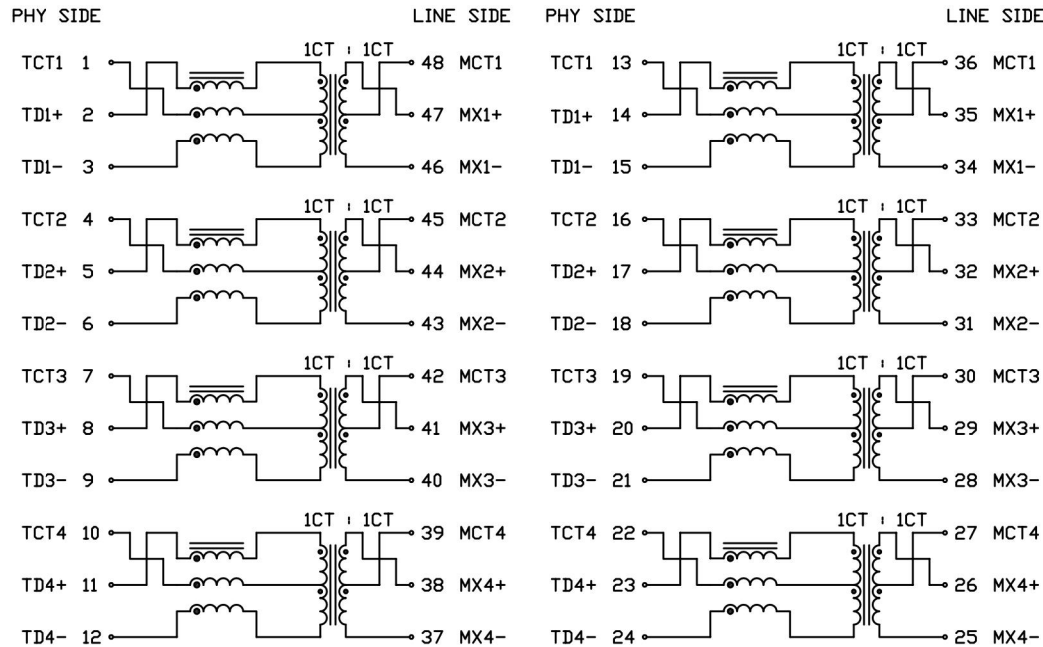
ELECTRICAL CHARACTERISTICS @25°C



SCHEMATIC

PORT 1

PORT 2



URNS RATIO
PHY : LINE

1CT : 1CT ±2%

POLARITY

PER DOT CONVENTION

□CL

-40°C TO +85°C
-40°C TO +85°C

@100kHz, 100mV
350uH MIN WITH 11mA DC BIAS
120uH MIN WITH 19mA DC BIAS

DC RESISTANCE (1/2 WINDING)

0.35 OHM MAX

INTERWINDING CAPACITANCE, C_{ww}

@1MHz, 20mV
30pF MAX

INSERTION LOSS

0.3MHz - 1MHz
1MHz - 100MHz
100MHz - 125MHz

1.1dB MAX
1.0dB MAX
1.2dB MAX

RETURN LOSS @100OHM

0.5MHz - 40MHz
40MHz - 100MHz

18dB MIN
12-20LOG(f/80MHz)dB MIN

CROSSTALK

0.3MHz - 100MHz

33-20LOG(f/100MHz)dB MIN

CM TO CM REJ

0.3MHz - 100MHz

30dB MIN

CM TO DM REJ

0.3MHz - 100MHz

35dB MIN

BALANCED DC LINE CURRENT

600mA MAX @57VDC CONTINUOUS

HIPOT

1500 Vrms

REV. : C PAGE : 2

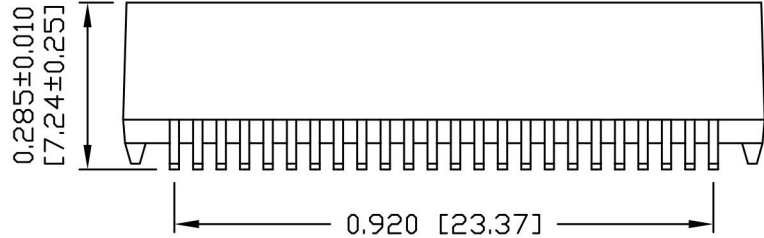
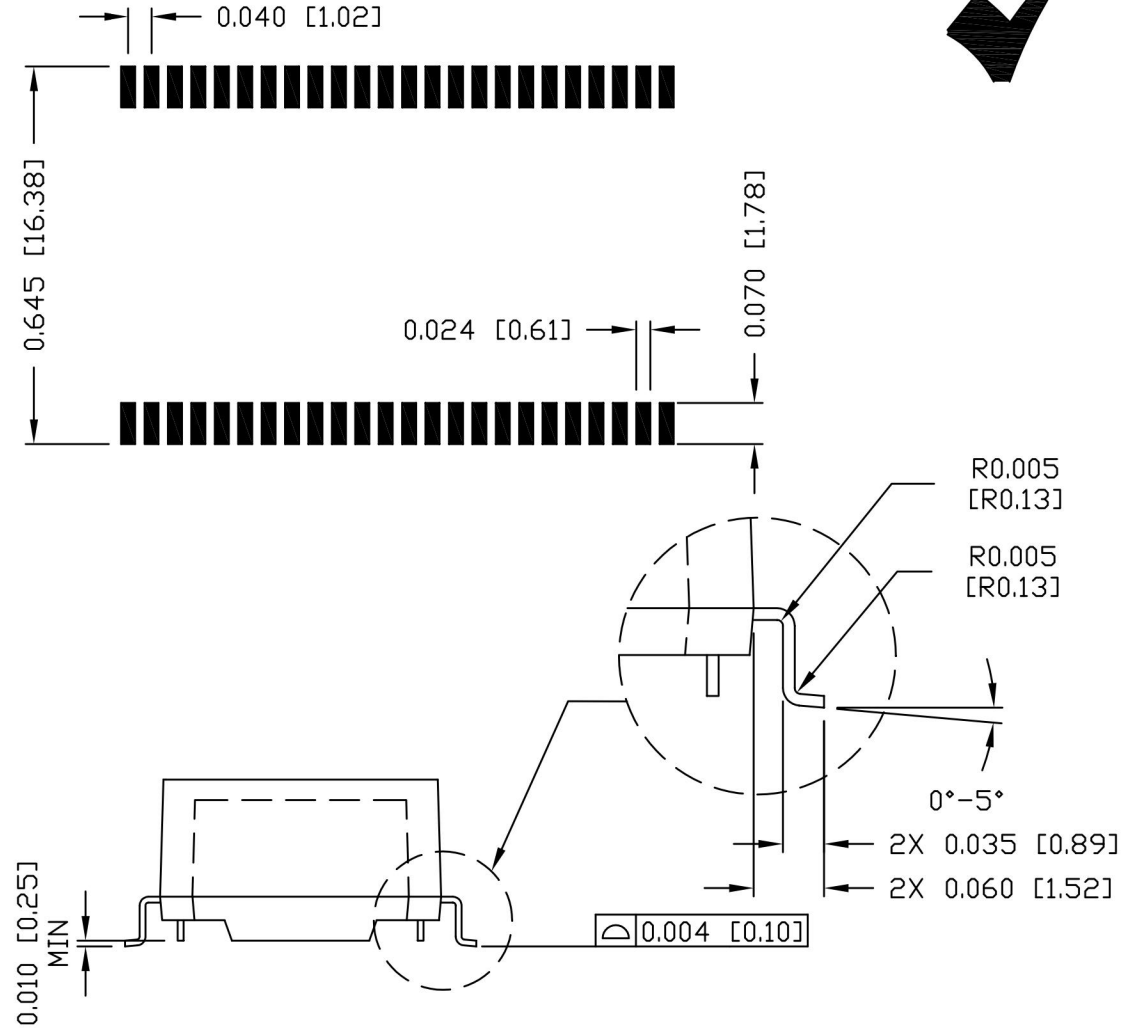
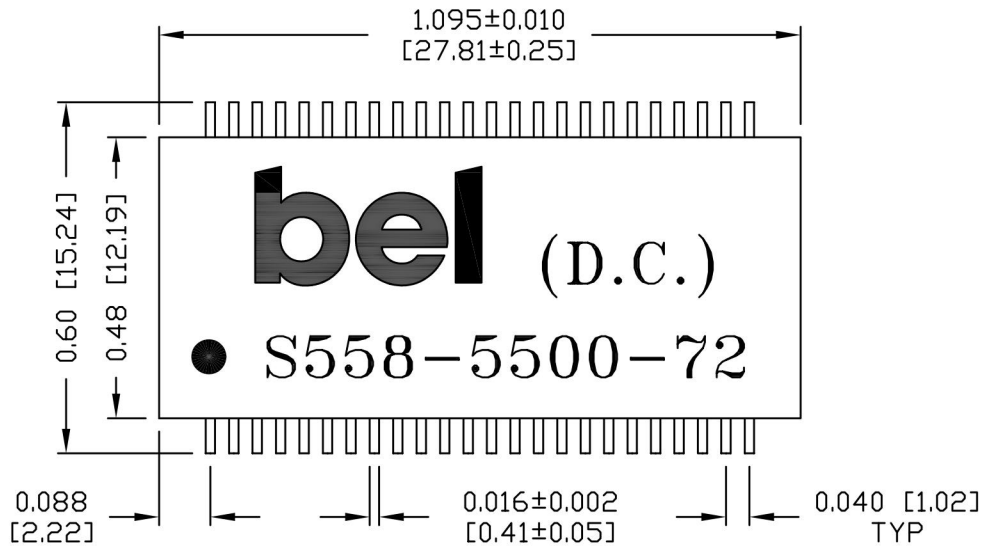
ORIGINATED BY	DATE	TITLE	PART NO. / DRAWING NO.	STANDARD DIM.	[] METRIC DIM. AS REF.
Alice Pang	2015-10-29	ELECTRICAL SPECIFICATION	S558-5500-72	TOL. IN INCH	UNIT : INCH [mm]
DRAWN BY	DATE		FILE NAME	.X	SCALE : N/A
ZC Guo	2015-10-29		S558550072C.DWG	.XX	SIZE : A4
				.XXX	SIZE : A4



THE INFORMATION CONTAINED HEREIN IS CONSIDERED "PROPRIETARY" TO BEL FUSE INC. AND SHALL NOT BE COPIED, REPRODUCED OR DISCLOSED WITHOUT THE WRITTEN APPROVAL OF BEL FUSE INC.

SUGGESTED PCB PAD LAYOUT

RoHS



NOTES:

- STANDARD MARKING REFER TO DOC. HAND-WORK-04.
- PACKAGE CODE: "QVS001".

REV. : C PAGE : 3

ORIGINATED BY Lawrence Tsang	DATE 2015-10-29	TITLE MECHANICAL OUTLINE	PART NO. / DRAWING NO. S558-5500-72	STANDARD DIM. [] METRIC DIM. AS REF.	
DRAWN BY ZC Guo	DATE 2015-10-29		FILE NAME S558550072C.DWG	TOL. IN INCH .X / .XX / .XXX	UNIT : INCH [mm] SCALE : N/A SIZE : A4
				±0.01 ±0.005	

