

RDE7U2E153J2M1H03A



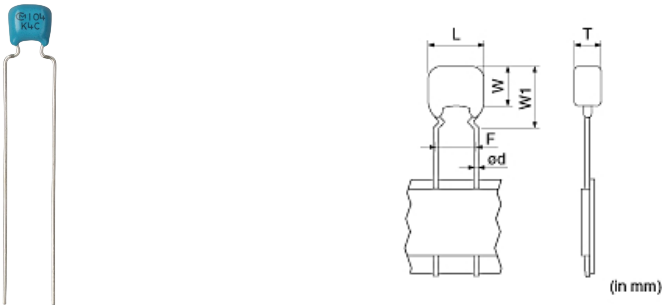
Applications

| | |
|-------------------------|--|
| Unsuitable Applications | Please be sure to read and comply with these "Precautions for use." |
| Specific Applications | Consumer equipment, Industrial Equipment, Mobile Electronics, Medical equipment [GHTF A/B/C] except for implant equipment, Automotive infotainment/comfort equipment Please refer to Our Website and specifications, etc. for information about the performance, functions, quality, management, and safety required for the above applications, and use Products after confirming the performance and reliability of the actual Product. |

Notices

HF(Halogen Free)

Appearance & Shape



References

| Packaging | Specifications | Standard Packing Quantity |
|-----------|----------------|---------------------------|
| A | Ammo Pack | 2000 |

| Mass (typ.) | |
|-------------|-------|
| 1 piece | 0.15g |

Attention
 1.This datasheet is downloaded from the website of Murata Manufacturing Co., Ltd. Therefore, it's specifications are subject to change or our products in it may be discontinued without advance notice. Please check with our sales representatives or product engineers before ordering.
 2.This datasheet has only typical specifications because there is no space for detailed specifications.
 Therefore, please review our product specifications or consult the approval sheet for product specifications before ordering.

RDE7U2E153J2M1H03A



Specifications

| | |
|--|---|
| L size or Outer diameter D | 5.5mm max. |
| Width | 4.0mm max. |
| T size | 3.15mm max. |
| Lead spacing F | 5.0+0.6/-0.2mm |
| Lead diameter d | 0.5±0.05mm |
| Capacitance | 15000pF ±5% |
| Rated voltage | 250Vdc |
| Temperature characteristics | U2J(EIA) |
| Temperature range of temperature characteristics | -55°C to 125°C |
| Operating Temperature Range | -55°C to 125°C |
| TC | 25 to 125°C : -750±120ppm/°C -55 to 25°C : -750+120/-347ppm/°C |
| W1 size | 6.0mm max. |

Attention

1.This datasheet is downloaded from the website of Murata Manufacturing Co., Ltd. Therefore, it's specifications are subject to change or our products in it may be discontinued without advance notice. Please check with our sales representatives or product engineers before ordering.

2.This datasheet has only typical specifications because there is no space for detailed specifications.

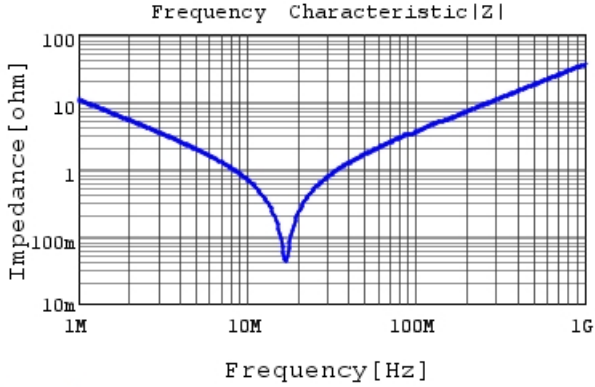
Therefore, please review our product specifications or consult the approval sheet for product specifications before ordering.

RDE7U2E153J2M1H03A

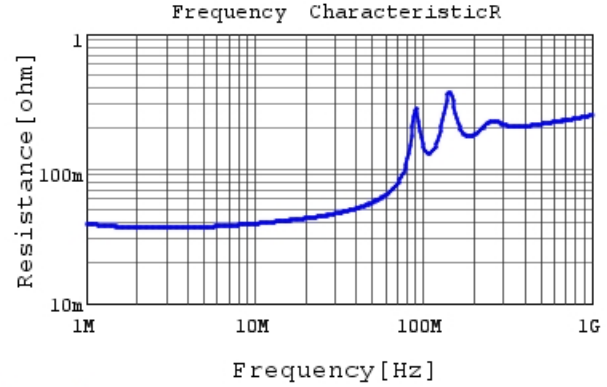


Characteristic Data

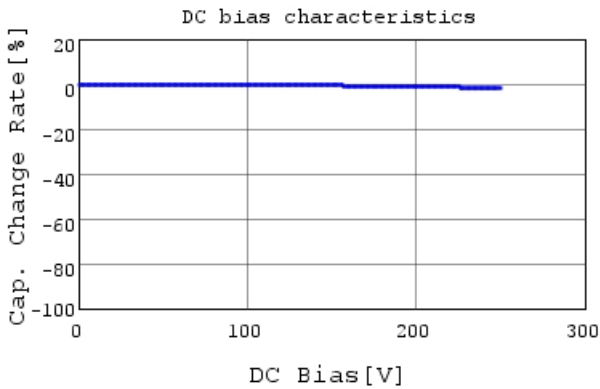
The charts below may show another part number which shares its characteristics.



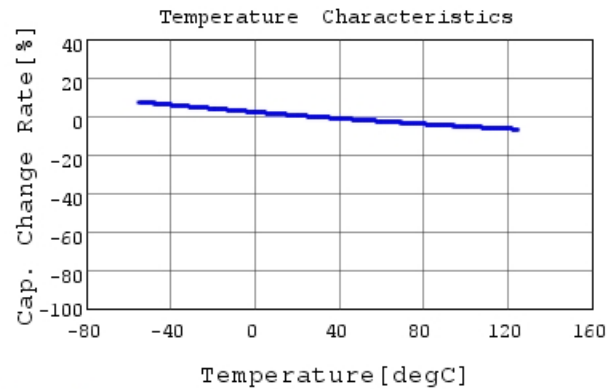
RDE7U2E153J2M1H03A |Z| DC0V, 25degC



RDE7U2E153J2M1H03A R DC0V, 25degC



RDE7U2E153J2M1H03A C-DC bias capchange, 25.0

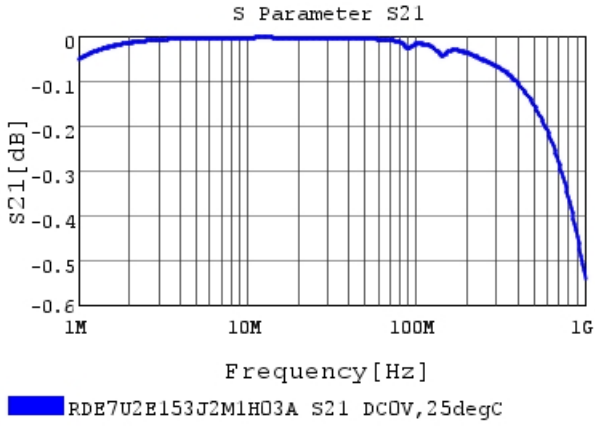


RDE7U2E153J2M1H03A C-Temp. capchange, DC0V,

Attention

- 1.This datasheet is downloaded from the website of Murata Manufacturing Co., Ltd. Therefore, it's specifications are subject to change or our products in it may be discontinued without advance notice. Please check with our sales representatives or product engineers before ordering.
- 2.This datasheet has only typical specifications because there is no space for detailed specifications. Therefore, please review our product specifications or consult the approval sheet for product specifications before ordering.

RDE7U2E153J2M1H03A



Attention

- 1.This datasheet is downloaded from the website of Murata Manufacturing Co., Ltd. Therefore, it's specifications are subject to change or our products in it may be discontinued without advance notice. Please check with our sales representatives or product engineers before ordering.
- 2.This datasheet has only typical specifications because there is no space for detailed specifications.
Therefore, please review our product specifications or consult the approval sheet for product specifications before ordering.