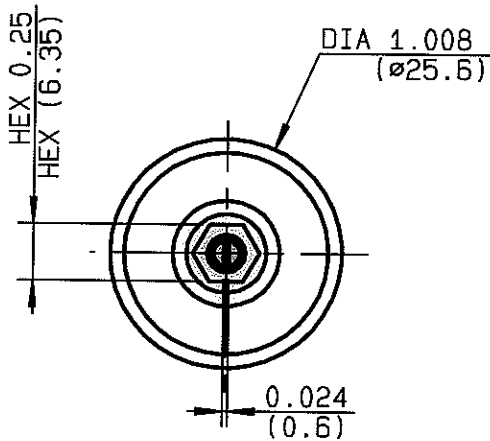
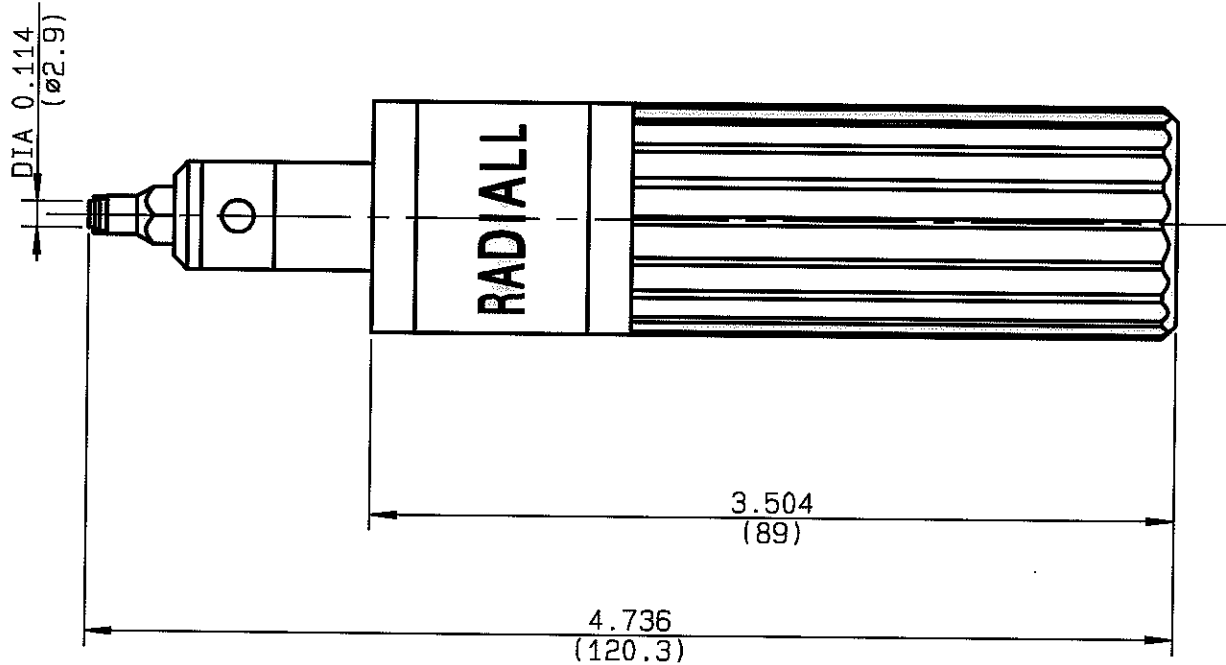


**SCREW TORQUE DRIVER FOR R222 F-DET
TOOL DIA 2.9 - TORQUE 7.96 LBF.IN**

R282.339.001
SERIES OUT



R 282 339 001
Coupling torque preset
(Couple de declenchement)
7.96 lbf.in
(**90** cm.N)

BONDMINI

ISSUE
9936A00

CREATION DATE
06/09/1999

FILE PART-NUMBER
EPC98-06



RADIALL®

The information given here is subject to change without notice.
Design changes may be in order to improve the product.

Connect to the future