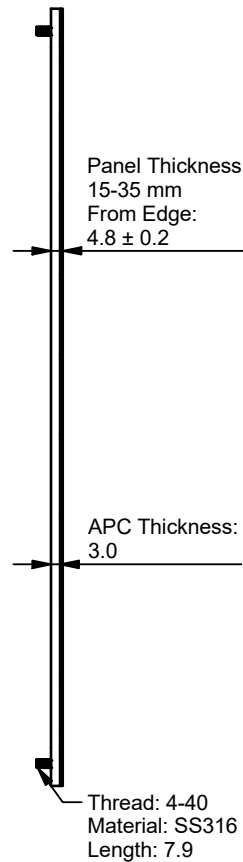
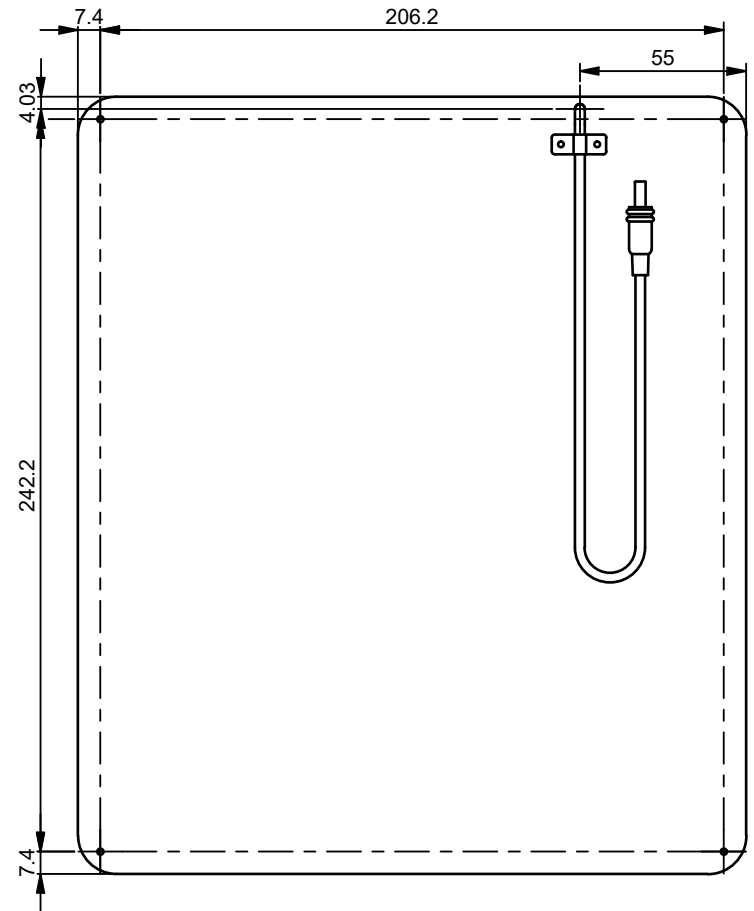


Front



Side



Back



**Drawing Details**

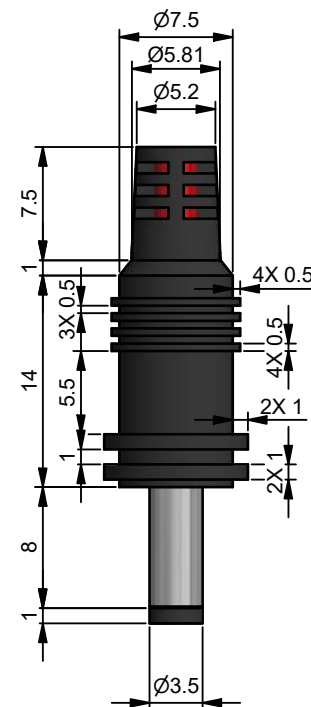
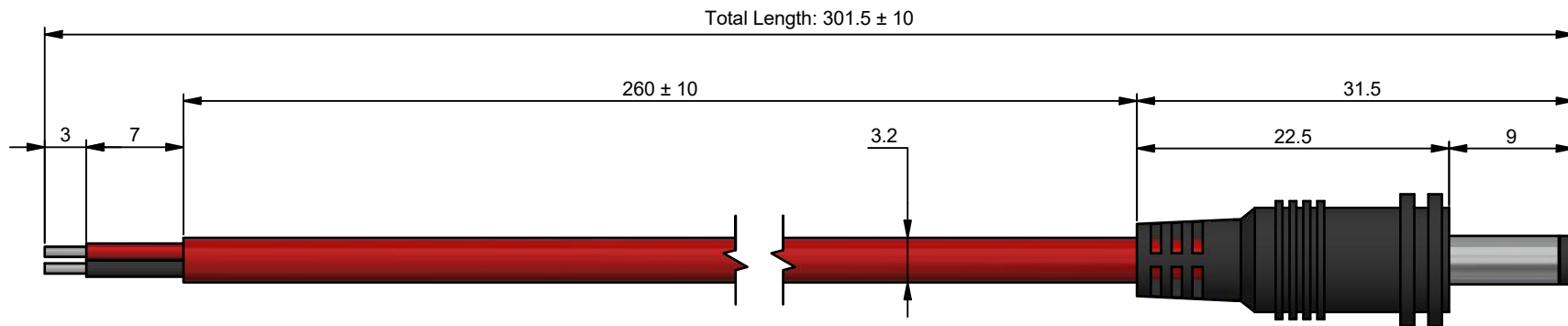
Panel Number:	P107
Revision:	R5D
Engineer:	CY
Checked By:	SM
Date Created:	2016-05-25
Date Modified:	2019-04-25
Changes:	Production Release
Tolerance:	$\pm 0.3$
Units:	mm
Scale:	1 : 2.5
Sheet:	1/2

**Construction**

All Materials	RoHS Compliant
Substrate:	Charcoal APC
Encapsulant:	Urethane
Top Layer:	Urethane
Wire Number:	W017
Wire Length:	$260 \pm 10$
Strain Relief:	Metal Bracket
Attachment:	4X 4-40 Screws
Waterproof Rating:	IP67

**Power Specifications**

Output Tolerance: $\pm 10\%$ of Voltage and Current				
Solar Cell: EEPV EE6E3C 3BB				
Nominal Efficiency: $\geq 19.5\%$		Cell Pieces: 36		
Panel Electrical Ratings		Nominal	Expected	
Open-Circuit Voltage	Voc	23.00	21.85	V
Voltage at Max Power	Vp	19.51	18.54	V
Short-Circuit Current	Isc	0.51	0.48	A
Current at Max Power	Ip	0.47	0.45	A
Maximum Power	Wp	9.21	8.30	W



### Drawing Details

Wire Number:	W017
Revision:	R1A
Engineer:	CY
Checked By:	SM
Date Created:	2014-03-18
Date Modified:	2018-06-28
Changes:	N/A
Tolerance:	± 0.3
Units:	mm
Scale:	2
Sheet:	2/2

### Wire Details

All Materials RoHS Compliant
Length: 260 ± 10
Conductor Gauge: 22 AWG
Connector: M3511
Crimp: N/A
Jacket Color: Red
Jacket Material: PU
Insulator Colors: Black and Red
Insulator Material: PVC