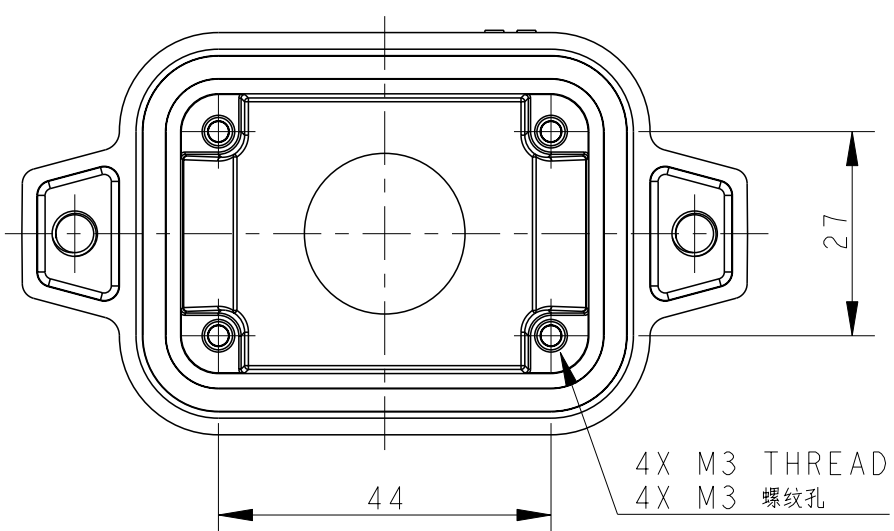
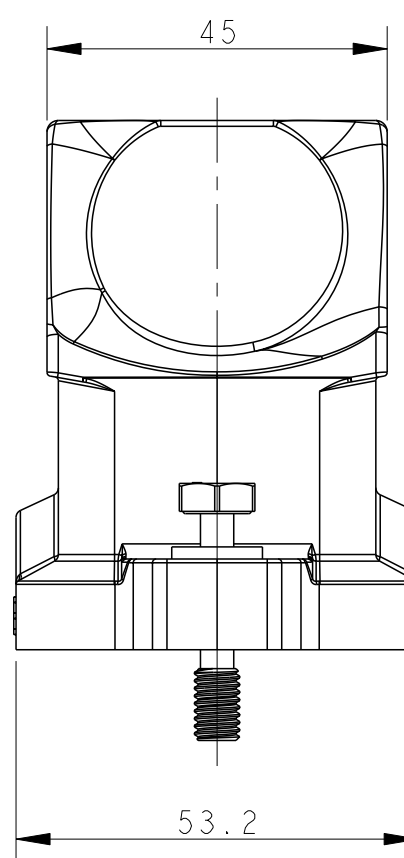
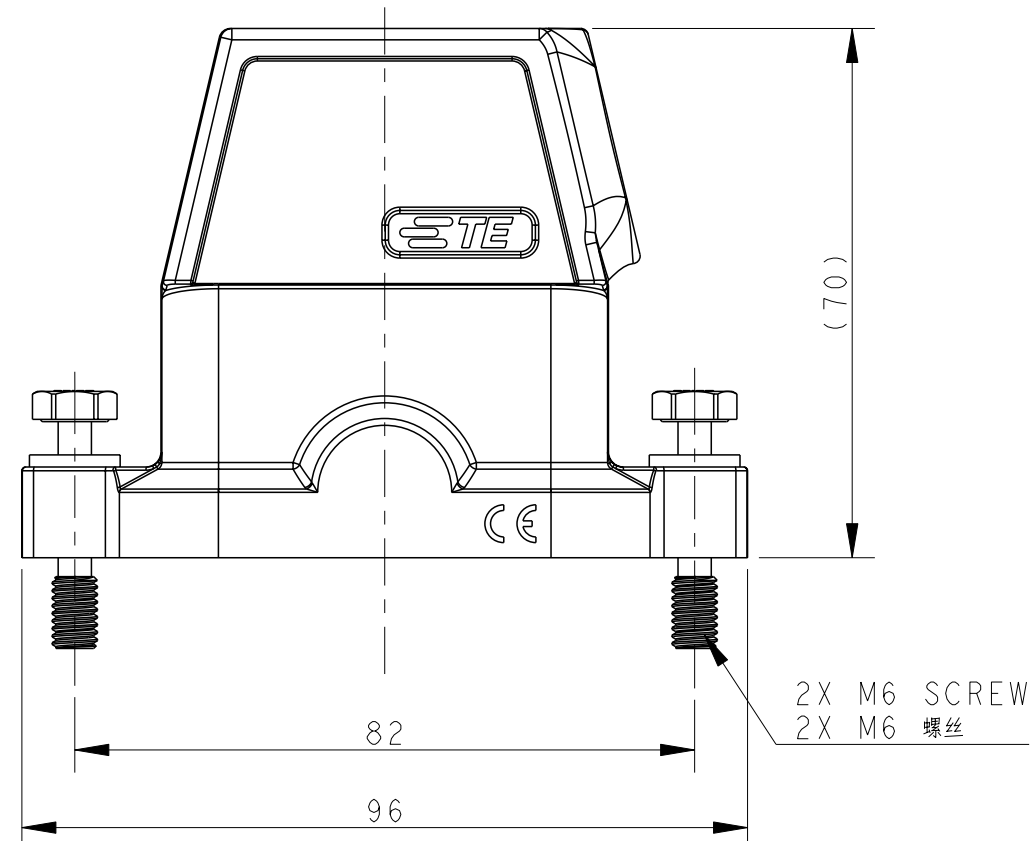
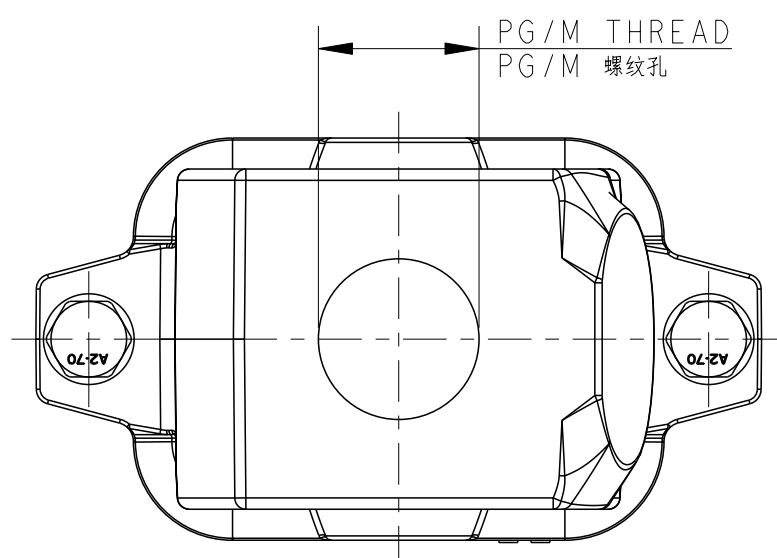


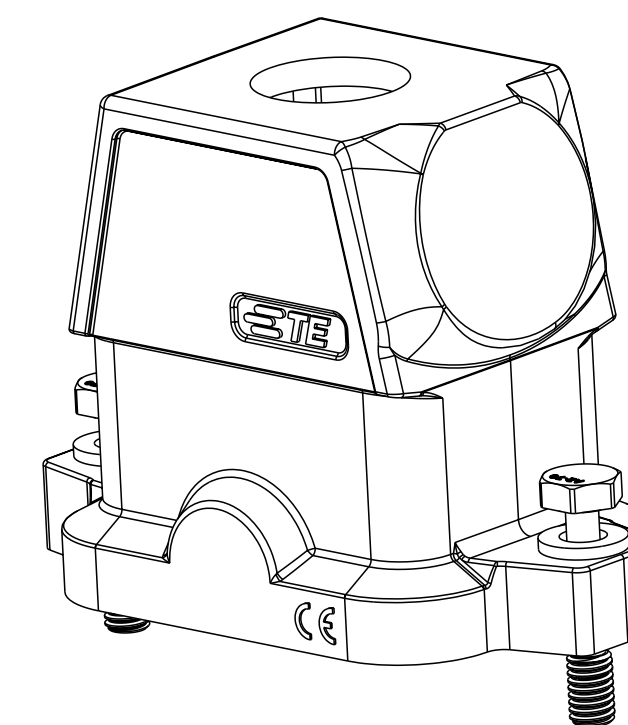
THIS DRAWING IS UNPUBLISHED. RELEASED FOR PUBLICATION 20  
 © COPYRIGHT 20 BY - ALL RIGHTS RESERVED.

REVISIONS					
P	LTR	DESCRIPTION	DATE	DWN	APVD
A		INITIAL RELEASE	18OCT2016	DW	CW
B		ECR-20-016312	04JUN2021	BS	CW



NOTES:  
 1. TECHNICAL CHARACTERISTICS:  
 HOOD MATERIAL: DIE CAST ALUMINIUM ALLOY  
 SURFACE TREATMENT: SEE TABLE  
 DEGREE OF PROTECTION: IP68 (MATED)

注释:  
 1. 技术参数:  
 壳体材料: 铝合金  
 表面处理: 见表格  
 防护等级: IP68 (配合)



THIS DRAWING IS A CONTROLLED DOCUMENT.		DWN 18OCT2016 DAVID WANG	<b>STC</b> TE Connectivity		
DIMENSIONS: mm		CHK 18OCT2016 CHRIS WANG			
TOLERANCES UNLESS OTHERWISE SPECIFIED:		APVD 18OCT2016 XIANG XU	NAME H6BPR-TGHC-PG/M-EMC-C		
0 PLC ±-		PRODUCT SPEC 108-137191	SIZE A2	CAGE CODE -	DRAWING NO. G-T192206XXXX009
1 PLC ±-		APPLICATION SPEC 114-137191	RESTRICTED TO		
2 PLC ±-		WEIGHT -	SCALE 1:1	SHEET 1 OF 2	REV B
3 PLC ±-		MATERIAL -	Customer Drawing		
4 PLC ±-		FINISH -			
ANGLES ±-					


Printed on 8 Jun 2021 09:19 (China Standard Time) from IE236667

THIS DRAWING IS UNPUBLISHED. RELEASED FOR PUBLICATION 20  
 © COPYRIGHT 20 BY - ALL RIGHTS RESERVED.

REVISIONS				
P	LTR	DESCRIPTION	DATE	APVD
-		SEE SHEET 1	-	-

NOTES:  
SEE SHEET 1

T1922062132-009	H6BPR-TGHC-M32-EMC-C	H6BPR HOOD, CENTER LOCKING, TOP ENTRY M32, POWDER COATED, GREY H6BPR中部锁定顶出上壳M32 灰色	M32
T1922062129-009	H6BPR-TGHC-PG29-EMC-C	H6BPR HOOD, CENTER LOCKING, TOP ENTRY PG29, POWDER COATED, GREY H6BPR中部锁定顶出上壳PG29 灰色	PG29
T1922062125-009	H6BPR-TGHC-M25-EMC-C	H6BPR HOOD, CENTER LOCKING, TOP ENTRY M25, POWDER COATED, GREY H6BPR中部锁定顶出上壳M25 灰色	M25
T1922062121-009	H6BPR-TGHC-PG21-EMC-C	H6BPR HOOD, CENTER LOCKING, TOP ENTRY PG21, POWDER COATED, GREY H6BPR中部锁定顶出上壳PG21 灰色	PG21
T1922062120-009	H6BPR-TGHC-M20-EMC-C	H6BPR HOOD, CENTER LOCKING, TOP ENTRY M20, POWDER COATED, GREY H6BPR中部锁定顶出上壳M20 灰色	M20
T1922062116-009	H6BPR-TGHC-PG16-EMC-C	H6BPR HOOD, CENTER LOCKING, TOP ENTRY PG16, POWDER COATED, GREY H6BPR中部锁定顶出上壳PG16 灰色	PG16
T1922061132-009	H6BPR-TGHC-M32-EMC-C	H6BPR HOOD, CENTER LOCKING, TOP ENTRY M32, POWDER COATED, SILVER WHITE H6BPR中部锁定顶出上壳M32 银白色	M32
T1922061129-009	H6BPR-TGHC-PG29-EMC-C	H6BPR HOOD, CENTER LOCKING, TOP ENTRY PG29, POWDER COATED, SILVER WHITE H6BPR中部锁定顶出上壳PG29 银白色	PG29
T1922061125-009	H6BPR-TGHC-M25-EMC-C	H6BPR HOOD, CENTER LOCKING, TOP ENTRY M25, POWDER COATED, SILVER WHITE H6BPR中部锁定顶出上壳M25 银白色	M25
T1922061121-009	H6BPR-TGHC-PG21-EMC-C	H6BPR HOOD, CENTER LOCKING, TOP ENTRY PG21, POWDER COATED, SILVER WHITE H6BPR中部锁定顶出上壳PG21 银白色	PG21
T1922061120-009	H6BPR-TGHC-M20-EMC-C	H6BPR HOOD, CENTER LOCKING, TOP ENTRY M20, POWDER COATED, SILVER WHITE H6BPR中部锁定顶出上壳M20 银白色	M20
T1922061116-009	H6BPR-TGHC-PG16-EMC-C	H6BPR HOOD, CENTER LOCKING, TOP ENTRY PG16, POWDER COATED, SILVER WHITE H6BPR中部锁定顶出上壳PG16 银白色	PG16
T1922060132-009	H6BPR-TGHC-M32-EMC-C	H6BPR HOOD, CENTER LOCKING, TOP ENTRY M32, POWDER COATED, BLACK H6BPR中部锁定顶出上壳M32 黑色	M32
T1922060129-009	H6BPR-TGHC-PG29-EMC-C	H6BPR HOOD, CENTER LOCKING, TOP ENTRY PG29, POWDER COATED, BLACK H6BPR中部锁定顶出上壳PG29 黑色	PG29
T1922060125-009	H6BPR-TGHC-M25-EMC-C	H6BPR HOOD, CENTER LOCKING, TOP ENTRY M25, POWDER COATED, BLACK H6BPR中部锁定顶出上壳M25 黑色	M25
T1922060121-009	H6BPR-TGHC-PG21-EMC-C	H6BPR HOOD, CENTER LOCKING, TOP ENTRY PG21, POWDER COATED, BLACK H6BPR中部锁定顶出上壳PG21 黑色	PG21
T1922060120-009	H6BPR-TGHC-M20-EMC-C	H6BPR HOOD, CENTER LOCKING, TOP ENTRY M20, POWDER COATED, BLACK H6BPR中部锁定顶出上壳M20 黑色	M20
T1922060116-009	H6BPR-TGHC-PG16-EMC-C	H6BPR HOOD, CENTER LOCKING, TOP ENTRY PG16, POWDER COATED, BLACK H6BPR中部锁定顶出上壳PG16 黑色	PG16
PART NUMBER 料号	DESCRIPTION 描述		PG/M THREAD PG/M 螺纹

THIS DRAWING IS A CONTROLLED DOCUMENT.		DWN DAVID WANG 18OCT2016	 TE Connectivity	
		CHK CHRIS WANG 18OCT2016		
DIMENSIONS: mm		APVD XIANG XU 18OCT2016	NAME H6BPR-TGHC-PG/M-EMC-C	
TOLERANCES UNLESS OTHERWISE SPECIFIED:		PRODUCT SPEC 108-137191	RESTRICTED TO	
0 PLC ±-		APPLICATION SPEC 114-137191	SIZE A2	CAGE CODE -
1 PLC ±-		WEIGHT -	DRAWING NO G-T192206XXXX009	
2 PLC ±-		Customer Drawing	SCALE 1:1	SHEET 2 OF 2
3 PLC ±-				REV B
4 PLC ±-				
ANGLES ±-				
FINISH -				
-				

Printed on 8 Jun 2021 09:19 (China Standard Time) from TE236667