



Swept Elbow Backshells

Provides a Smooth 90° Cable Termination Option for Optic and Standard Cables

Swept Elbow Backshells

Provides a Smooth 90° Cable Termination Option for Optic and Standard Cables



WEIGHT SAVINGS

- Over the traditional right angle design

MULTIPLE CONFIGURATIONS

- Multiple shell sizes and plating finishes available

EASY INSTALLATION

- Simple and fast termination solutions
- The spin coupling nut allows for easy repair

HIGH-RELIABILITY SOLUTIONS

- Backshells can provide strain relief and cable support to help prevent bending or overflexing
- Overall 360° screening against EMI/RFI interference

TE BAND OFFERINGS

- TE has a wide variety of bands available. TE offers one step, two step and Mil-Spec bands for every need.

TE Connectivity (TE)'s swept elbow backshells are designed with a smooth internal bore and a continuous bend radius. Available in the band termination (BT) style, these backshells offer up to a 20% weight savings over traditional backshells. The swept elbow backshell can be utilized in many aerospace and defense applications where a reliable termination solution is required.

Swept elbow product is available to suit a wide range of circular connectors, including MIL-DTL-38999 series III and IV and MIL-DTL-26482 series 2 with a range of entry sizes from 6 to 29 mm to suit your application cable diameters.

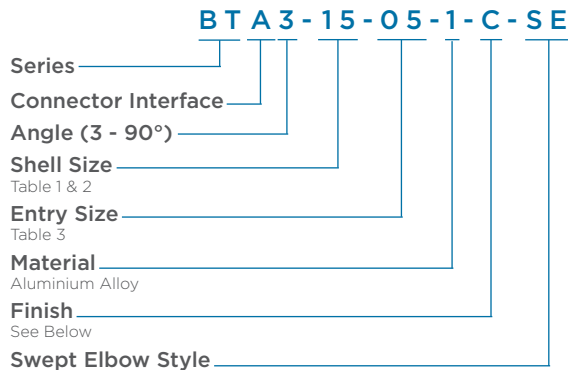
APPLICATIONS/MARKETS

- Aerospace
- Defense

STANDARDS AND SPECIFICATIONS

- BTH series meets AS85049 category 3B sealing requirements

PART NUMBERING



FINISH OPTIONS

CODE	PLATING
B	Cadmium olive drab over electroless nickel
C	Electroless nickel
ZN	Zinc nickel black passivate over electroless nickel

TE Components . . . TE Technology . . . TE Know-how . . .

AMP | AGASTAT | CII | HARTMAN | KILOVAC | MICRODOT | NANONICS | POLAMCO | Raychem
SEACON | Rochester | DEUTSCH

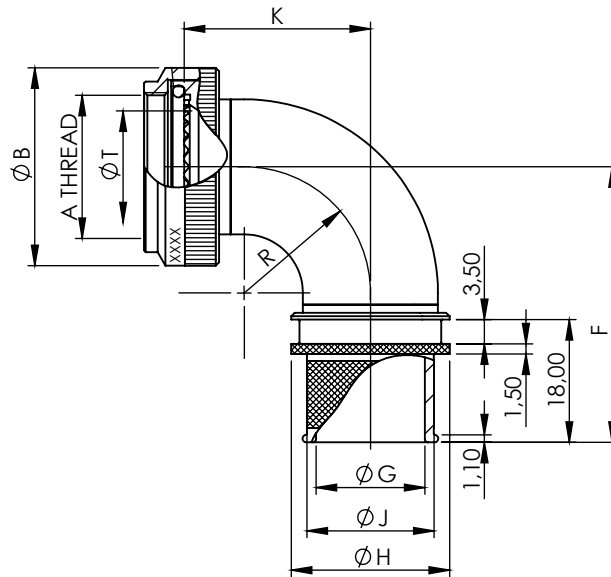
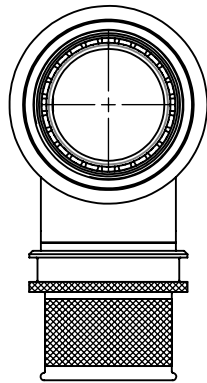
Empower Engineers to Solve Problems, Moving the World Forward.



BT Series

Termination by Band Strap

H Interface



A Interface

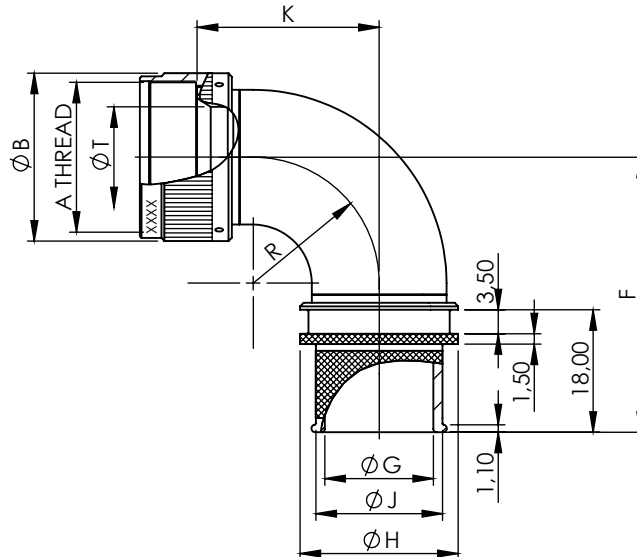
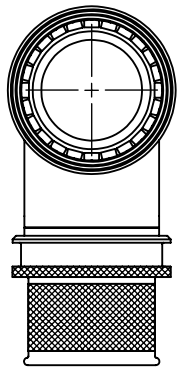


Table 1 H Interface

SHELL SIZE	A THREAD	ØB MAX	ØT MIN	K +/-0.5"	F MAX	R REF.
09	M12 x 1.0	18.0	6.7	17.7	31.9	9.0
11	M15 x 1.0	21.0	10.2	20.9	35.1	12.2
13	M18 x 1.0	24.5	13.5	24.1	38.3	15.4
15	M22 x 1.0	29.0	16.2	27.2	41.4	18.5
17	M25 x 1.0	32.5	19.4	30.4	44.6	21.7
19	M28 x 1.0	35.5	21.8	33.6	47.8	24.9
21	M31 x 1.0	37.0	25.1	36.8	51.0	28.1
23	M34 x 1.0	40.0	28.2	39.9	54.1	31.2
25	M37 x 1.0	43.5	31.4	43.1	57.3	34.4

Table 2 A Interface

SHELL SIZE	A THREAD	ØB MAX	ØT MIN	K +/-0.5"	F MAX	R REF.
08	1/2 -20UNF	15.6	6.6	17.7	31.9	9.0
10	5/8 - 24UNEF	18.6	9.3	20.9	35.1	12.2
12	3/4 - 20UNEF	21.7	12.8	24.1	38.3	15.4
14	7/8 - 20UNEF	24.9	14.7	27.2	41.4	18.5
16	1 - 20UNEF	28.2	17.8	30.4	44.6	21.7
18	1 1/16 - 18UNEF	30.9	19.8	33.6	47.8	24.9
20	1 3/16 - 18UNEF	34.1	23.0	36.8	51.0	28.1
22	1 5/16 - 18UNEF	37.3	26.2	39.9	54.1	31.2
24	1 7/16 - 18UNEF	40.4	29.1	43.1	57.3	34.4

Table 3

ENTRY SIZE	ØG MIN	ØJ	ØH MAX
03	4,77	7,80	13,99
04	6,35	9,40	13,99
05	7,92	11,00	15,56
06	9,53	12,50	17,16
07	11,12	14,10	18,76
08	12,70	15,70	20,34
09	14,27	17,30	21,91
10	15,87	18,80	23,52
11	17,47	20,50	25,11
12	19,05	22,00	26,69
13	20,62	23,60	28,26
14	22,23	25,20	29,87
15	23,82	26,80	31,46
16	25,40	28,40	33,04
17	26,98	30,00	34,60
18	28,60	31,60	36,30
19	30,20	33,20	37,90
20	31,80	34,80	39,50

Not all entry sizes are available per shell size. Please consult the customer drawing for listings.

All dimensions in MM unless otherwise stated.

LET'S CONNECT

We make it easy to connect with our experts and are ready to provide all the support you need. Just call your local support number or visit te.com to chat with a Product Information Specialist.

Technical Support

te.com/support-center

North America	+1 800 522 6752	Asia Pacific	+86 400 820 6015
North America (Toll)	+1 717 986 7777	Japan	+81 044 844 8180
EMEA/South Africa	+800 0440 5100	Australia	+61 2 9554 2695
EMEA (Toll)	+31 73 624 6999	New Zealand	+64 (0) 9 634 4580
India (Toll-Free)	+800 440 5100		

te.com/swept-elbow

AMP, AGASTAT, CII, DEUTSCH, HARTMAN, KILOVAC, MICRODOT, NANONICS, POLAMCO, Raychem, SEACON, TE, TE Connectivity and the TE connectivity (logo) are trademarks owned or licensed by TE Connectivity. Other products, logos, and company names mentioned herein may be trademarks of their respective owners.

While TE Connectivity (TE) has made every reasonable effort to ensure the accuracy of the information herein, nothing herein constitutes any guarantee that such information is error-free, or any other representation, warranty or guarantee that the information is accurate, correct, reliable or current. The TE entity issuing this publication reserves the right to make any adjustments to the information contained herein at any time without notice. All implied warranties regarding the information contained herein, including, but not limited to, any implied warranties of merchantability or fitness for a particular purpose are expressly disclaimed. The dimensions herein are for reference purposes only and are subject to change without notice. Specifications are subject to change without notice.

Consult TE for the latest dimensions and design specifications.

© 2020 TE Connectivity All Rights Reserved.

2367890-1 02/20