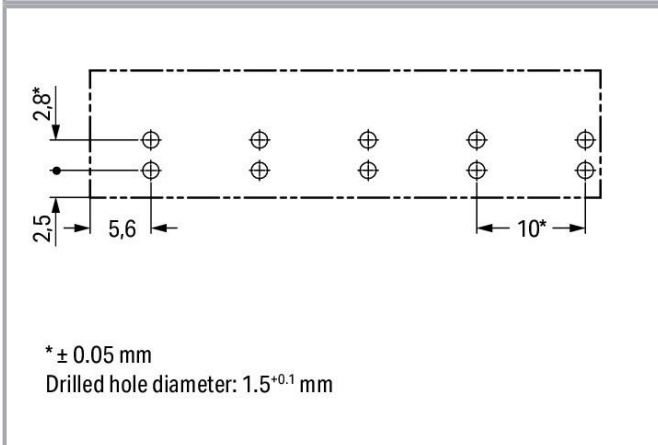
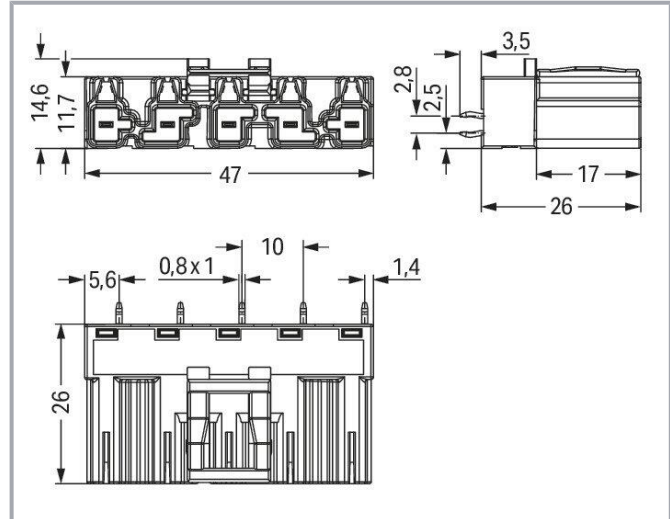
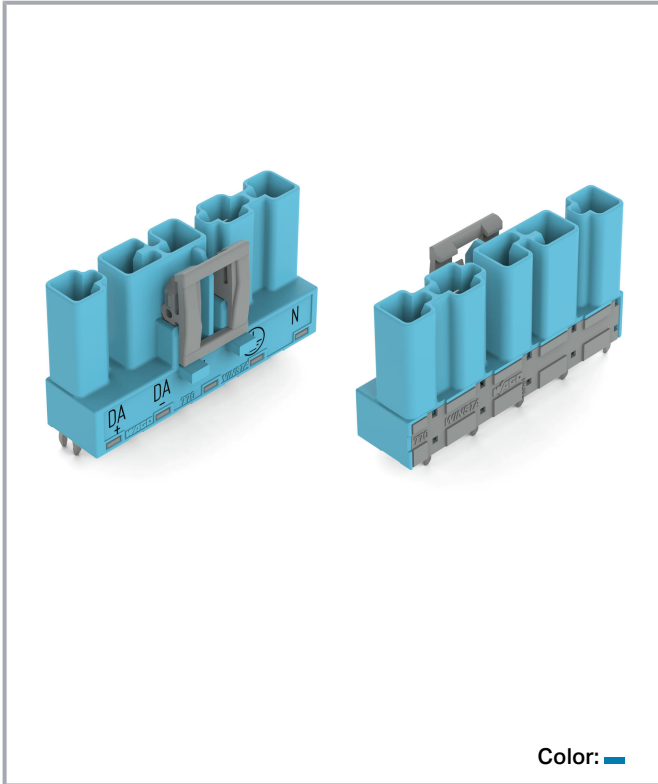


Data sheet | Item number: 770-3115

Plug for PCBs; straight; 5-pole; Cod. I; blue

[www.wago.com/770-3115](http://www.wago.com/770-3115)



Subject to changes. Please also observe the further product documentation!

WAGO GmbH & Co. KG  
Hansastr. 27  
32423 Minden  
Phone: +49571 887-0 | Fax: +49571 887-169  
Email: [info.de@wago.com](mailto:info.de@wago.com) | Web: [www.wago.com](http://www.wago.com)

Do you have any questions about our products?  
We are always happy to take your call at +49 (571) 887-44222.



## Item description

### Male connector/plug *WINSTA*® MIDI I coding

The *WINSTA*® MIDI male connector/plug rated current 25 A offers very secure handling to support control and drive technology tasks. Our pluggable PCB connectors give you a universal pluggable connection system for your devices that meets all the conditions for a stable device connection. The coding options reduce installation errors, allowing fast, secure wiring of all components. Controlled lighting, as used in the DALI standard, for instance, is the primary domain of use of *WINSTA*® MIDI pcb connectors with I coding. This pcb connector can be used for electrical currents up to 25 A. Thus the product is especially suitable for high power loads. Our *WINSTA*® MIDI product line achieves flexibility for the electrical installation. Through its Push-in CAGE CLAMP® spring pressure connection technology, it guarantees time-saving, error-free installation and offers flexibility and customization for meeting all installation requirements.

### Lower costs through fast commissioning and elimination of service expenses – solutions from *WINSTA*® MIDI

The *WINSTA*® Pluggable Connection System is ideally tailored to the strict requirements of building installation. It makes electrical installation pluggable, and thus more efficient, even more reliable, and error-free. Use of this pre-assembled system decreases assembly times and errors during installation at the construction site. Now you can also reduce installation expenses without compromising safety and quality: The *WINSTA*® MIDI pcb connector with protection against mismatching eliminates the need for servicing and prevents unnecessary downtime.

- effective protection against mismatching
- simple circuits
- with I coding for lighting control (DALI standard)
- convenient installation and commissioning

## Data

### Electrical data

#### Ratings per IEC/EN

| Ratings per                   | IEC/EN 60664-1  |
|-------------------------------|---|
| Nominal voltage (III/3)       | 400 V   |
| Rated impulse voltage (III/3) | 6 kV  |
| Rated current                 | 25 A  |
| Legend (ratings)              | (III / 3) ≙ Overvoltage category III / Pollution degree 3 |

Subject to changes. Please also observe the further product documentation!

WAGO GmbH & Co. KG  
 Hansastr. 27  
 32423 Minden  
 Phone: +49571 887-0 | Fax: +49571 887-169  
 Email: [info.de@wago.com](mailto:info.de@wago.com) | Web: [www.wago.com](http://www.wago.com)

Do you have any questions about our products?  
 We are always happy to take your call at +49 (571) 887-44222.



## Ratings per UL 1977

Note for the US market

Some versions may also be used for current interruption in accordance with the UL certificate in select applications with currents below 16 A and voltages up to 600 V. For further information, please contact your local sales office.

|                         |       |
|-------------------------|-------|
| Rated voltage (UL 1977) | 600 V |
| Rated current UL 1977   | 23 A  |

## General

Note on contact resistance

approx. 1 mΩ of contact resistance  
approx. 0.25 mΩ contact transition plug/socket

## Connection data

|                            |                      |
|----------------------------|----------------------|
| Total number of potentials | 5                    |
| Number of levels           | 1                    |
| PE function                | Preceding PE contact |

## Connection 1

|             |   |
|-------------|---|
| Pole number | 5 |
|-------------|---|

## Physical data

|                                      |                                   |
|--------------------------------------|-----------------------------------|
| Pin spacing                          | 10 mm / 0.394 inches              |
| Width                                | 47 mm / 1.85 inches               |
| Height                               | 29.5 mm / 1.161 inches            |
| Height from the surface              | 26 mm / 1.024 inches              |
| Depth                                | 14.6 mm / 0.575 inches            |
| Solder pin length                    | 3.5 mm                            |
| Solder pin dimensions                | 1 x 0.8 mm                        |
| Drilled hole diameter with tolerance | 1.5 <sup>(-0.1 ... +0.1)</sup> mm |

## Mechanical Data

|                 |                           |
|-----------------|---------------------------|
| Application     | DALI, Lighting Management |
| Coding          | I                         |
| Variable coding | No                        |
| Marking         | DA+ DA- L $\frac{1}{2}$ N |

Subject to changes. Please also observe the further product documentation!

WAGO GmbH & Co. KG  
Hansastr. 27  
32423 Minden  
Phone: +49571 887-0 | Fax: +49571 887-169  
Email: [info.de@wago.com](mailto:info.de@wago.com) | Web: [www.wago.com](http://www.wago.com)

Do you have any questions about our products?  
We are always happy to take your call at +49 (571) 887-44222.



|   |  |
|---|--|
| Potential marking                       | DA+ DA- L $\perp$ N                                      |
| Mating force of a plug-in connection    | approx. 20 ... 70 N (depending on pole number)           |
| Retention force of a plug-in connection | Locked: > 80 N   |
| Unmating force of a plug-in connection  | Unlocked: approx. 20 ... 70 N (depending on pole number) |
| Number of mating cycles                 | 200, without resistive load                              |
| Design                                  | straight   |

### Plug-in connection

|                                    |  |
|------------------------------------|--|
| Contact type (pluggable connector) | Male connector/plug  |
| Connector (connection type)        | for PCB  |
| Mismating protection               | Yes  |
| Note on mismating protection       | All WINSTA <sup>®</sup> components are 100% protected against mismating when:<br>a.) plugging different numbers of poles<br>b.) plugging while rotated 180<br>c.) plugging while laterally staggered<br>d.) plugging one pole  |
| Mating direction to the PCB        | 90 °   |
| Locking lever                      | yes  |
| Locking of plug-in connection      | locking lever  |
| Note on locking system             | All connectors for mounted installations (snap-in versions for lighting fixtures or devices, all types of PCB and distribution connectors) are factory-equipped with locking levers to ensure plugs and sockets are securely locked. Additional locking levers are only required for flying leads (plug/socket). |

### PCB contact

|                                     |                            |
|-------------------------------------|----------------------------|
| PCB contact                         | THT                        |
| Solder pin arrangement              | 2 in-line solder pins/pole |
| Number of solder pins per potential | 2                          |

### Material Data

|                             |  |
|-----------------------------|--|
| Note (material data)        | Information on material specifications can be found here |
| Color                       | blue   |
| Insulation material         | Polyamide (PA66)   |
| Flammability class per UL94 | V0   |
| Clamping spring material    | Chrome-nickel spring steel (CrNi)                        |

Subject to changes. Please also observe the further product documentation!

WAGO GmbH & Co. KG  
Hansastr. 27  
32423 Minden  
Phone: +49571 887-0 | Fax: +49571 887-169  
Email: [info.de@wago.com](mailto:info.de@wago.com) | Web: [www.wago.com](http://www.wago.com)

Do you have any questions about our products?  
We are always happy to take your call at +49 (571) 887-44222.

|                  |   |
|------------------|---|
| Contact material | Copper or copper alloy; surface-treated |
| Contact plating  | Tin                                     |
| Fire load        | 0.226 MJ                                |
| Weight           | 10.1 g                                  |

### Environmental requirements

|  |  |
|--|--|
| Processing temperature                   | -5 ... +40 °C                              |
| Continuous operating temperature         | -35 ... +85 °C                             |
| Note on continuous operating temperature | Insulating parts for temperatures ≤ 105 °C |

### Commercial data


|                       |               |
|-----------------------|---------------|
| eCl@ss 10.0           | 27-44-06-05   |
| eCl@ss 9.0            | 27-44-06-05   |
| ETIM 8.0              | EC002560      |
| ETIM 7.0              | EC002560      |
| PU (SPU)              | 50 pcs        |
| Packaging type        | box           |
| Country of origin     | PL            |
| GTIN                  | 4045454654535 |
| Customs tariff number | 85366990990   |

### Environmental Product Compliance

|                        |                         |
|------------------------|-------------------------|
| RoHS Compliance Status | Compliant, No Exemption |
|------------------------|-------------------------|

### Approvals / Certificates

#### General approvals

| Logo   | Approval                                | Additional Approval Text | Certificate name |
|--|---|--------------------------|------------------|
|  | cURus<br>Underwriters Laboratories Inc. | UL 1977                  | E45171           |

#### Approvals for marine applications

| Logo | Approval              | Additional Approval Text | Certificate name |
|------|-----------------------|--------------------------|------------------|
|      | LR<br>Lloyds Register | IEC 61984                | LR22429487TA     |

Subject to changes. Please also observe the further product documentation!



## Counterpart



**Item no. 770-1105/022-000**  
Socket; with strain relief housing; 5-pole; Cod. I; 4,00 mm<sup>2</sup>; blue

[www.wago.com/770-1105/022-000](http://www.wago.com/770-1105/022-000)



**Item no. 770-1105**  
Socket; 5-pole; Cod. I; 4,00 mm<sup>2</sup>; blue

[www.wago.com/770-1105](http://www.wago.com/770-1105)



**Item no. 771-9985/006-101**  
pre-assembled interconnecting cable; Eca; Socket/plug; 5-pole; Cod. I; H05VV-F 5G 1.5 mm<sup>2</sup>; 1 m; 1,50 mm<sup>2</sup>; blue

[www.wago.com/771-9985/006-101](http://www.wago.com/771-9985/006-101)



**Item no. 771-9985/106-101**  
pre-assembled connecting cable; Eca; Socket/open-ended; 5-pole; Cod. I; H05VV-F 5G 1.5 mm<sup>2</sup>; 1 m; 1,50 mm<sup>2</sup>; blue

[www.wago.com/771-9985/106-101](http://www.wago.com/771-9985/106-101)

## Required accessories

### Cover

Cover



**Item no.: 770-360**  
Lockout cap; for plugs; 5-pole; separable; yellow

[www.wago.com/770-360](http://www.wago.com/770-360)

## Downloads

### CAD/CAE-Data

#### CAD data

| 2D/3D Models 770-3115 | URL | Download |
|-----------------------|-----|----------|
|                       |     |          |

#### CAE data

| EPLAN Data Portal 770-3115 | URL | Download |
|----------------------------|-----|----------|
|                            |     |          |

| WSCAD Universe 770-3115 | URL | Download |
|-------------------------|-----|----------|
|                         |     |          |

| ZUKEN Portal 770-3115 | URL | Download |
|-----------------------|-----|----------|
|                       |     |          |

#### PCB Design

| Symbol and Footprint 770-3115 | URL | Download |
|-------------------------------|-----|----------|
|                               |     |          |

Subject to changes. Please also observe the further product documentation!

WAGO GmbH & Co. KG  
Hansastr. 27  
32423 Minden  
Phone: +49571 887-0 | Fax: +49571 887-169  
Email: [info.de@wago.com](mailto:info.de@wago.com) | Web: [www.wago.com](http://www.wago.com)

Do you have any questions about our products?  
We are always happy to take your call at +49 (571) 887-44222.



CAX data for your PCB design, consisting of "schematic symbols and PCB footprints", allow easy integration of the WAGO component into your development environment.

#### Supported formats:

- Accel EDA 14 & 15
- Altium 6 to current version
- Cadence Allegro
- DesignSpark
- Eagle Libraries
- KiCad
- Mentor Graphics BoardStation
- Mentor Graphics Design Architect
- Mentor Graphics Design Expedition 99 and 2000
- OrCAD 9.X PCB and Capture
- PADS PowerPCB 3, 3.5, 4.X, and 5.X
- PADS PowerPCB and PowerLogic 3.0
- PCAD 2000, 2001, 2002, 2004, and 2006
- Pulsonix 8.5 or newer
- STL
- 3D STEP
- TARGET 3001!
- View Logic ViewDraw
- Quadcept
- Zuken CadStar 3 and 4
- Zuken CR-5000 and CR-8000

PCB Component Libraries (EDA), PCB CAD Library Ultra Librarian

---

## Environmental Product Compliance

### Compliance Search

Environmental Product Compliance 770-3115  
Plug for PCBs; straight; 5-pole; Cod. I; blue

[URL](#)

[Download](#)

---

## Installation Notes

Subject to changes. Please also observe the further product documentation!

---

WAGO GmbH & Co. KG  
Hansastr. 27  
32423 Minden  
Phone: +49571 887-0 | Fax: +49571 887-169  
Email: [info.de@wago.com](mailto:info.de@wago.com) | Web: [www.wago.com](http://www.wago.com)

Do you have any questions about our products?  
We are always happy to take your call at +49 (571) 887-44222.

Data sheet | Item number: 770-3115

[www.wago.com/770-3115](http://www.wago.com/770-3115)



## Product family

WINSTA® MIDI

[Show all products from the family](#)

Subject to changes. Please also observe the further product documentation!

---

WAGO GmbH & Co. KG

Hansastr. 27

32423 Minden

Phone: +49571 887-0 | Fax: +49571 887-169

Email: [info.de@wago.com](mailto:info.de@wago.com) | Web: [www.wago.com](http://www.wago.com)

Do you have any questions about our products?

We are always happy to take your call at +49 (571) 887-44222.