

# T.240+a | Plugs

with flat dipstick, Duroplast

BSP

RoHS

PF

+212 °F  
-4 °F

## MATERIAL

Phenolic based (PF) Duroplast, black colour, glossy finish.

## PACKING RING

NBR synthetic rubber.

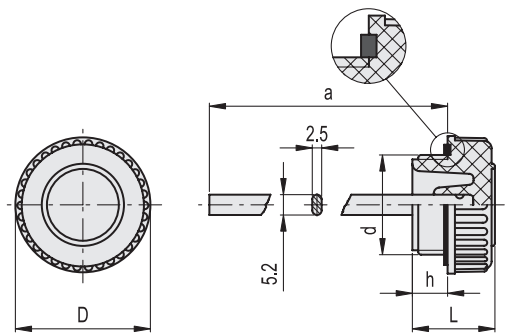
## FLAT DIPSTICK

Flat section phosphatised steel.

On request and for sufficient quantities dipstick can be supplied in different lengths and/or complete with MAX-MIN level lines.

## MAXIMUM CONTINUOUS WORKING TEMPERATURE

100°C.



BSP

METRIC

Code	Description	d	h	D	L	a	△
57111	T.240-1/4+a	G 1/4	8	22	18	195	37
57211	T.240-3/8+a	G 3/8	9	26	21	195	41
57311	T.240-1/2+a	G 1/2	10	32	24	195	47
57411	T.240-3/4+a	G 3/4	10	39	25	190	54
57611	T.240-1+a	G 1	12	45	28	190	66
57811	T.240-1¼+a	G1 1/4	12	55	31	190	91
57911	T.240-1½+a	G1 1/2	12	61	34	185	111

- 1
- 2
- 3
- 4
- 5
- 6
- 7
- 8
- 9
- 10
- 11
- 12
- 13
- 14
- 15
- RH
- 

Accessories for hydraulic systems