

Data sheet

RP025xxIBNC Typ 008

Page 1/3

P/N
310081xx

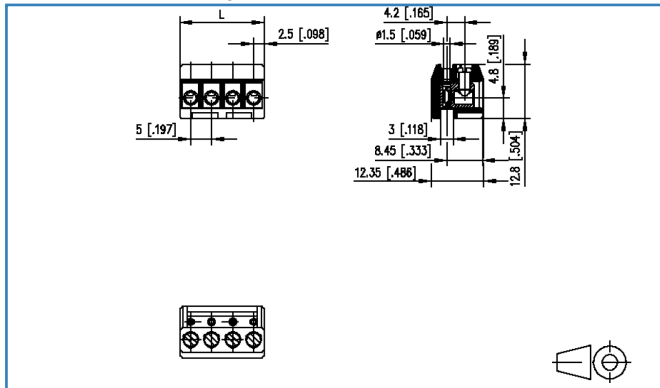
xx=number of poles

11/07/2018

Version: P

Illustrations

Dimensional drawing



See enlarged drawings at the end of document

Product specification

- screw type terminal block, pluggable
- centerline 5.00 mm, direction of connection 90°
- fittable without loss of poles
- color black

Technical Data

General Data


Tightening torque SEV	0.5 Nm		
Tightening torque UL	7 lb-in		
min. number of poles	2		
max. number of poles	24		
Insulating material class	CTI 600		
clearance/creepage dist.	2.3 mm		
Min. insul. strip length	6 mm		
Overvoltage category	III	III	II
Pollution degree	3	2	2
Rated voltage	100 V	320 V	320 V
Rated test voltage	2.5 kV	2.5 kV	2.5 kV


Connection Data

rat.wiring solid AWGmax	0.33 mm ² - 2.5 mm ² / AWG 22 - AWG 12		
rat.wiring strand.AWGmax	0.33 mm ² - 2.5 mm ² / AWG 22 - AWG 12		

Approvals

extended wiring UL	Wire range extended to No. 12 AWG solid only. Wire range extended to No. 30 AWG for factory-wiring. Two same size wires No. 22-16 AWG Cu, Sol/Str for field-wiring; No. 30-16 AWG Cu Sol/Str factory-wiring.		
--------------------	--	--	--

 V / A / 22	300 / 15 / 22 - 14		
--	--------------------	--	--

 2.5 mm ²	250 V / 2.5 kV / 10 A		
---	-----------------------	--	--

Material

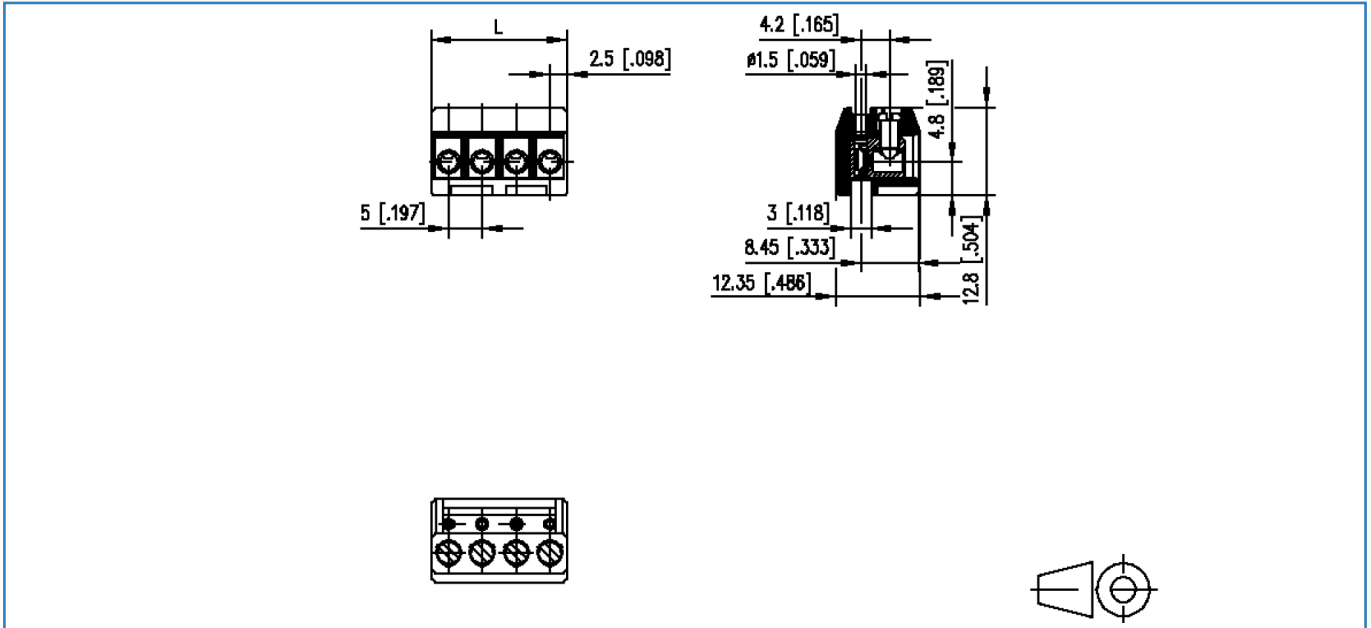
Glow-Wire Flammability GWFI	960 °C acc. to IEC 60695-2-12		
Glow-Wire Flammability GWIT	775 °C acc. to IEC 60695-2-13		
REACH - substance (SVHC)	Lead / 7439-92-1		

Climatic Data

upper limit temperature	105 °C		
lower limit temperature	-40 °C		

Illustrations

Dimensional drawing



$L = (\text{pole size} - 1) \times \text{centerline} + 5 [0.197]$

