

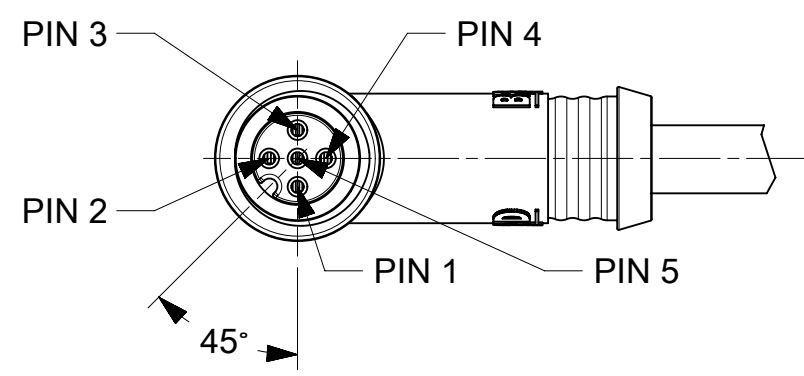
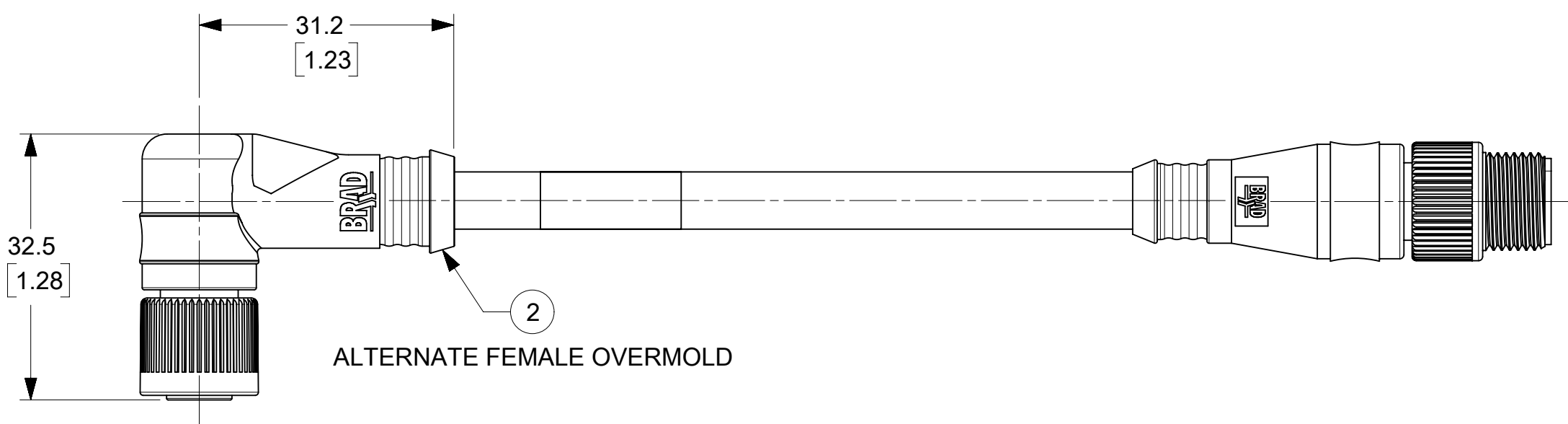
DND32A-M006

LENGTH
 M001 = .1 METERS
 M010 = 1.0 METERS
 M100 = 10 METERS

| CABLE LENGTH TOLERANCES | |
|--------------------------|-------------------------|
| <.3M [1FT]: | +19mm-0 [+ .75in-0] |
| .3 - .9M [1 - 3FT]: | +44.5mm-0 [+1.75in-0] |
| .9 - 1.8M [3 - 6FT]: | +55.6mm-0 [+2.19in-0] |
| 1.8 - 3.7M [6 - 12FT]: | +88.9mm-0 [+3.50in-0] |
| 3.7 - 7.3M [12 - 24FT]: | +165.1mm-0 [+6.50in-0] |
| 7.3-14.6M [24 - 48FT]: | +317.5mm-0 [+12.50in-0] |
| 14.6 - 30.5M [48-100FT]: | +622.3mm-0 [+24.50in-0] |
| OVER 30M [100FT] | +2% OF FINISHED LENGTH |

PART NUMBER LEGEND

| FINISHED LENGTH | | |
|-----------------|----------------|---------------|
| MOLEX PN | ENGINEERING NO | LENGTH M [FT] |
| 1300280003 | DND32A-M006 | 0.6 [1.97] |
| 1300280080 | DND32A-M002 | 0.2 [.66] |
| 1300280081 | DND32A-M003 | 0.3 [.98] |
| 1300280082 | DND32A-M004 | 0.4 [1.31] |
| 1300280083 | DND32A-M005 | 0.5 [1.64] |
| 1300280084 | DND32A-M007 | 0.7 [2.30] |
| 1300280085 | DND32A-M010 | 1.0 [3.28] |
| 1300280086 | DND32A-M015 | 1.5 [4.92] |
| 1300280088 | DND32A-M025 | 2.5 [8.20] |
| 1300280089 | DND32A-M030 | 3.0 [9.84] |
| 1300280091 | DND32A-M050 | 5.0 [16.4] |



| ITEM | DESCRIPTION | MATERIAL | FINISH/COLOR |
|------|--|-------------|--------------|
| 10 | WRAP LABEL | VINYL | BLACK/YELLOW |
| 9 | O-RING | FPM (VITON) | RED |
| 8 | COUPLING NUT FEMALE M12 | E-COAT | BLACK |
| 7 | CONTACT FEMALE | Cu ALLOY | GOLD PLATED |
| 6 | INSERT M12 5P FEMALE | NYLON | BLACK |
| 5 | COUPLING NUT MALE M12 | E-COAT | BLACK |
| 4 | CONTACT PIN | Cu ALLOY | GOLD PLATED |
| 3 | INSERT M12 5P MALE AC KEY | NYLON | BLACK |
| 2 | OVERMOLDS | TPC | GRAY |
| 1 | DEV-NET DROP CABLE 4x0.34mm ² (22AWG) | PVC JACKET | GRAY |

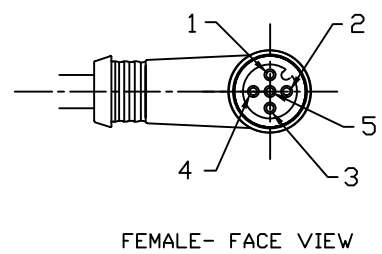
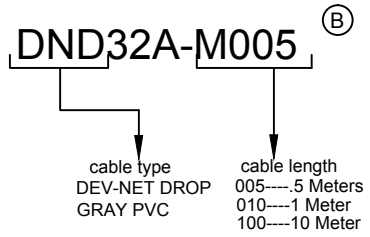
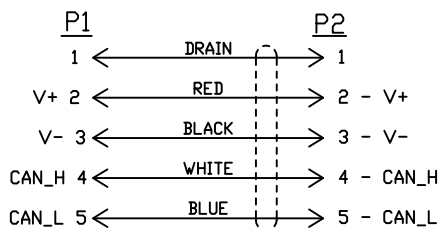
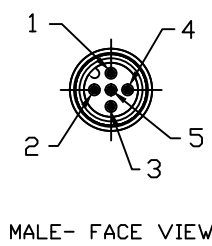
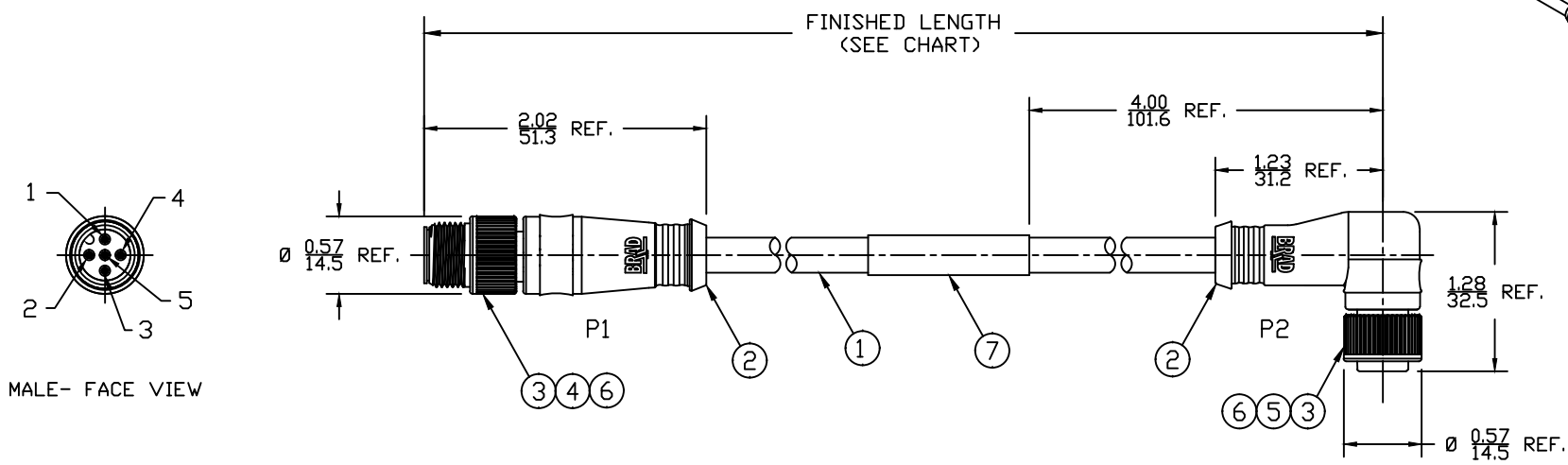
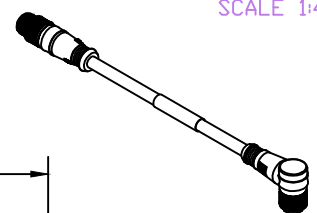
- NOTES:**
1. MATERIAL: AS NOTED
 2. FINISH: AS NOTED
 3. ELECTRICAL:
VOLTAGE; 250V AC/DC
CURRENT: 4A
 4. TEMP RATING: -20°TO +80°C
 5. PROTECTION: IP67 (WHEN MATED)
 6. COUPLING THREAD: M12 X 1.0
 7. UL LISTED FILE: E152210
CANADIAN LISTED FILE: LR6837
 8. ALL DIMS ARE FOR REFERENCE UNLESS TOLERANCED OR NOTED OTHERWISE

| | | | | |
|--|---|---|--|--|
| FUNCTIONAL SYMBOLS $\frac{F}{A} = 0$ $\frac{F}{C} = 0$ $\frac{F}{P} = 0$ | THIS DRAWING CONTAINS INFORMATION THAT IS PROPRIETARY TO MOLEX ELECTRONIC TECHNOLOGIES, LLC AND SHOULD NOT BE USED WITHOUT WRITTEN PERMISSION | | CURRENT REV DESC: REMOVED LEADING PIN NOTE | |
| | DIMENSION UNITS: MM/INCH SCALE: 1.5:1 | | EC NO: 700917 DRWN: RSTONE CHK'D: MZIELINSKI APPR: BWOODMAN | |
| | GENERAL TOLERANCES (UNLESS SPECIFIED) 4 PLACES ± ± 3 PLACES ± ± 2 PLACES ± ± 1 PLACE ± ± 0 PLACES ± ± | | 2022/03/25 2022/03/25 2022/03/29 | |
| | DIVISIONAL SYMBOLS DRAFT WHERE APPLICABLE MUST REMAIN WITHIN DIMENSIONS | | INITIAL REVISION: DRWN: MKOWALCZYK01 APPR: MIWASIECZKO | |
| THIRD ANGLE PROJECTION | | DRAWING: C-SIZE SERIES: 130028 | | |
| DOCUMENT STATUS: P1 RELEASE DATE: 2022/03/29 14:49:33 | | MATERIAL NUMBER: SEE P/N CHART CUSTOMER: GENERAL MARKET | | |
| | | PRODUCT CUSTOMER DRAWING DOCUMENT NUMBER: 1300280080 DOC TYPE: PSD DOC PART: 000 REVISION: B2 | | |
| | | SHEET NUMBER: 1 OF 1 | | |

| PART NUMBER | ENGINEERING NO. | LENGTH ± TOLERANCE |
|-------------|-----------------|---------------------------------------|
| 1300280083 | DND32A-M005 | 1' 8" +1.75"/-0" [0.5M +44.5/-0 mm] |
| 1300280084 | DND32A-M007 | 2' 4" +1.75"/-0" [0.7M +44.5/-0 mm] |
| 1300280085 | DND32A-M010 | 3' 3" +2.19"/-0" [1M +55.6/-0 mm] |
| 1300280089 | DND32A-M030 | 9' 10" +3.50"/-0" [3M +88.9/-0 mm] |
| 1300280091 | DND32A-M050 | 16' 5" +6.50"/-0" [5M +165.1/-0 mm] |

(B1)

AUX VIEW
SCALE 1:4



- NOTES:
- MATERIAL: SEE TABLE
 - FINISHES: SEE TABLE
 - ELECTRICAL DATA:
MAX. VOLTAGE: 250V AC/DC
MAX. CURRENT: 4A
 - ENVIRONMENTAL:
PROTECTION: IP67 (WHEN MATED)
TEMPERATURE RANGE: -20°C TO 80°C
 - WRAP LABEL IS MARKED WITH P/N, DATE CODE, VOLTAGE & AMPERAGE.
 - DIMS SHOWN ARE FOR REFERENCE UNLESS NOTED OTHERWISE

TABLE

| ITEM | DESCRIPTION | MATERIAL | FINISH |
|------|--------------------------------|---------------|--------------|
| 7 | LABEL | VINYL | BLACK/YELLOW |
| 6 | INSERT | NYLON | BLACK |
| 5 | SOCKET CONTACT | COPPER ALLOY | GOLD PLATED |
| 4 | PIN CONTACT | COPPER ALLOY | GOLD PLATED |
| 3 | M12 COUPLING NUT | ZINC DIE-CAST | BLACK |
| 2 | OVERMOLD | PVC | GRAY |
| 1 | DEVICENET DROP CABLE, 2P, SHLD | PVC JACKET | GRAY |

CORRECTED PINS FOR: 5 & 7M
EC NO: IFC2017-0356
DRWN: RSTONE 10/3/16
CHKD: M ZIELIN 2016/10/04
APPR: TWOLDEGE

QUALITY SYMBOLS
▽=0
▽C=0

GENERAL TOLERANCES (UNLESS SPECIFIED)

| | mm | INCH |
|----------|------|------|
| 4 PLACES | ±--- | ±--- |
| 3 PLACES | ±--- | ±--- |
| 2 PLACES | ±--- | ±--- |
| 1 PLACE | ±--- | ±--- |

ANGULAR ±---°

DRAFT WHERE APPLICABLE MUST REMAIN WITHIN DIMENSIONS

DIMENSION STYLE IN/MM

SCALE ---

DESIGN UNITS INCH

THIRD ANGLE PROJECTION

DRAWN BY: VOUE DATE: 2009/07/30

CHECKED BY: BWOODMAN DATE: 2009/07/31

APPROVED BY: --- DATE: ---

MATERIAL NO. SEE CHART

SIZE A

TITLE: M12 DEVICENET CABLE ASSY 5P MALE/FEM ST/90 #22/4 SHLD PVC -THIN STD

MOLEX INCORPORATED

DOCUMENT NO. SD-130028-002

SHEET NO. 1 OF 1

THIS DRAWING CONTAINS INFORMATION THAT IS PROPRIETARY TO MOLEX INCORPORATED AND SHOULD NOT BE USED WITHOUT WRITTEN PERMISSION