

MATERIAL NO.	ENGINEERING NO.	FINISHED LENGTH
1300250321	DND91A-M005	1 FT 7.7 IN (0.5 M)
1300250631	DND91A-M150	49 FT 2.5 IN (15 M)
1300250633	DND91A-M300	98 FT 5 IN (30 M)

PART NO. MATRIX
DND91A-M010

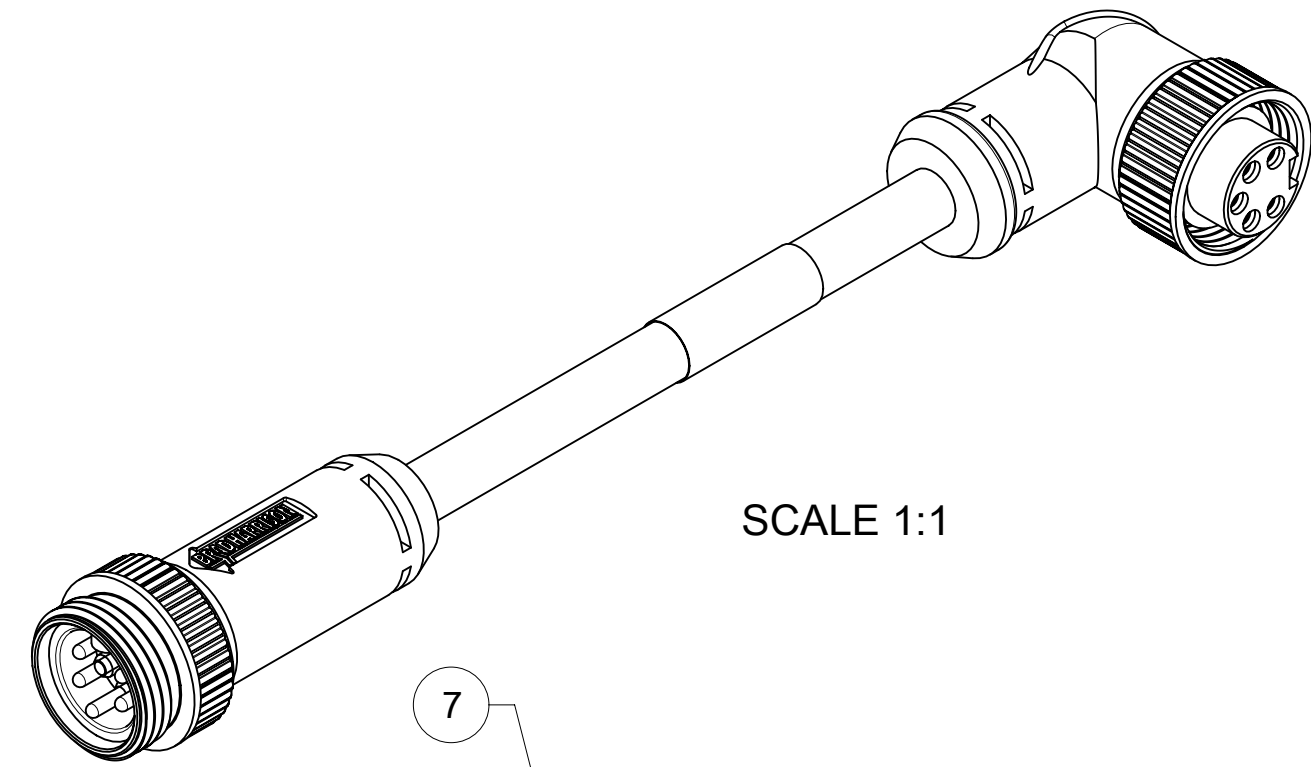
FINISHED LENGTH
M005= 0.5 METER
M010= 1 METER
M100= 10 METER

WIRING DIAGRAM

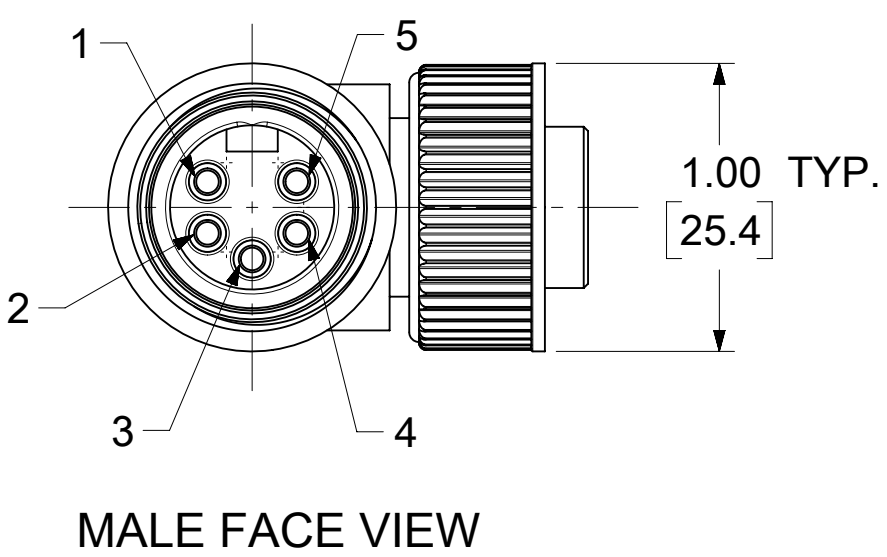
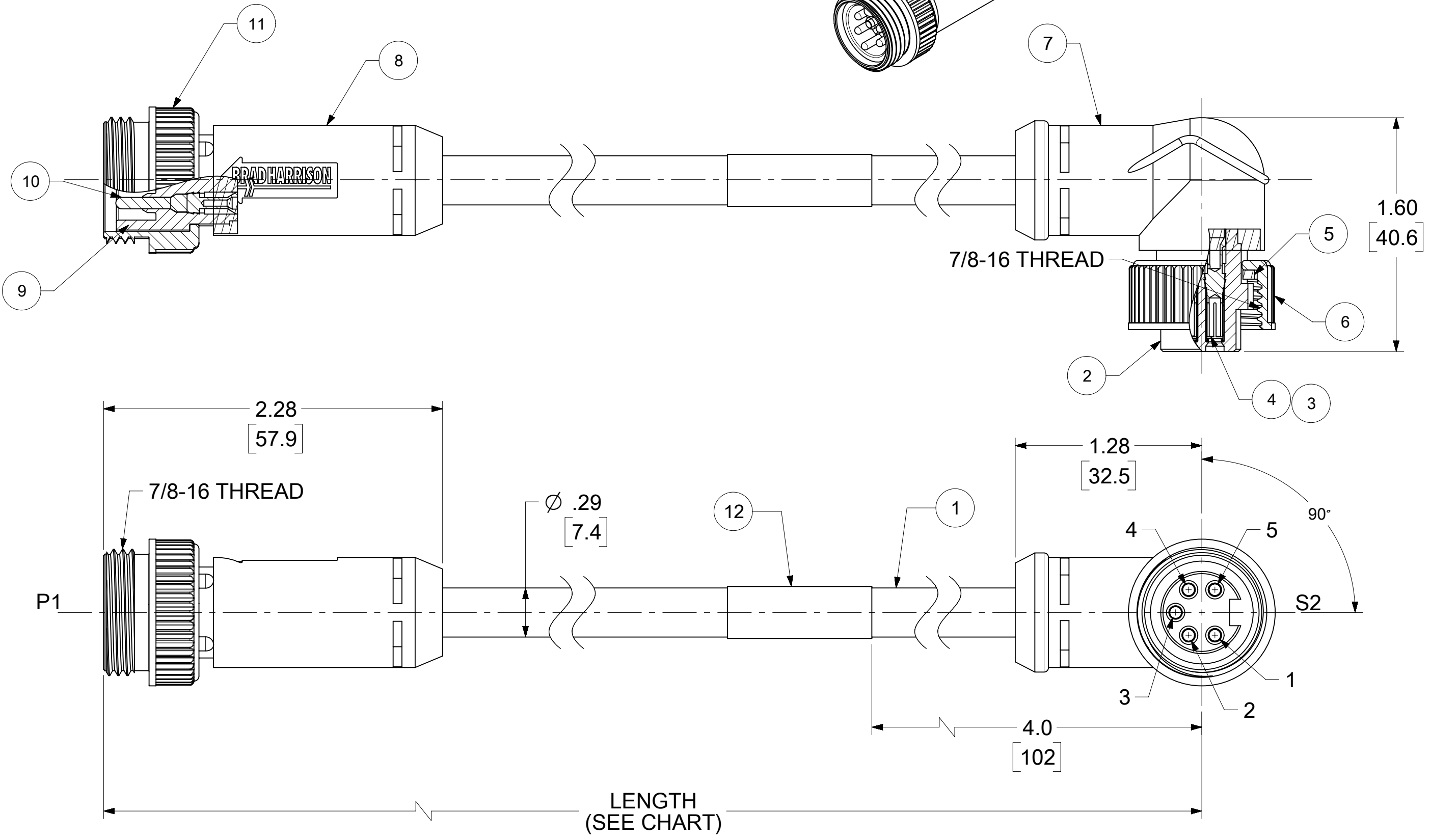
P1		S2
1	DRAIN	1
2	RED +V	2
3	BLACK -V	3
4	WHITE CAN H	4
5	BLUE CAN L	5

CABLE LENGTH TOLERANCES
 <.3M [1FT]: +19mm-0 [+ .75in-0]
 .3 - .9M [1 - 3FT]: +44.5mm-0 [+1.75in-0]
 .9 - 1.8M [3 - 6FT]: +55.6mm-0 [+2.19in-0]
 1.8 - 3.7M [6 - 12FT]: +88.9mm-0 [+3.50in-0]
 3.7 - 7.3M [12 - 24FT]: +165.1mm-0 [+6.50in-0]
 7.3-14.6M [24 - 48FT]: +317.5mm-0 [+12.50in-0]
 14.6 - 30.5M [48-100FT]: +622.3mm-0 [+24.50in-0]
 OVER 30M [100FT] +2% OF FINISHED LENGTH

- NOTES:
- MATERIAL: AS NOTED
 - FINISH: AS NOTED
 - ELECTRICAL SPECIFICATIONS
 VOLTAGE RATING: 300V PER IEC60664
 300V PER UL2238
 CURRENT RATING: 4A
 - TEMP RANGE: -20°C TO +80°C
 - PROTECTION: IP67 (WHEN MATED)
 - UL RECOGNIZED FILE: E152210
 CSA CERTIFIED FILE: LR6837
 - ALL DIMS SHOWN ARE FOR REFERENCE UNLESS TOLERANCED OR NOTED OTHERWISE



SCALE 1:1



FEMALE FACE VIEW

12	LABEL	VINYL	BLACK/YELLOW
11	COUPLING NUT, MALE	ZINC DIE CAST	BLACK E-COAT
10	CONTACT PIN, 22 AWG	COPPER ALLOY	SELECTIVE GOLD OVER NICKEL
9	INSERT, MALE, 5 POLE	TPE	GRAY
8	OVERMOLD, STRAIGHT	TPE	GRAY
7	OVERMOLD, 90 DEG	TPE	GRAY
6	COUPLING NUT, FEMALE	ZINC DIE CAST	BLACK E-COAT
5	FRICTION RING	NYLON	WHITE
4	SOCKET SLEEVE	ST. STEEL	-
3	CONTACT SOCKET, 22 AWG	COPPER ALLOY	SELECTIVE GOLD OVER NICKEL
2	INSERT, FEMALE, 5 POLE	TPE	GRAY
1	CABLE, DEV-NET, DROP, 4/22	PVC JACKET	GRAY
ITEM	DESCRIPTION	MATERIAL	FINISH

FUNCTIONAL SYMBOLS	THIS DRAWING CONTAINS INFORMATION THAT IS PROPRIETARY TO MOLEX ELECTRONIC TECHNOLOGIES, LLC AND SHOULD NOT BE USED WITHOUT WRITTEN PERMISSION			
	CURRENT REV DESC: ITEM 2, 7, 8 & 9 WERE PVC & MATERIAL TABLE MODIFIED.			
	EC NO: 648668			
	DRWN: VASUTHKARP 2020/05/25			
DIVISIONAL SYMBOLS	SCALE: 1.5:1		2020/11/11	
	GENERAL TOLERANCES (UNLESS SPECIFIED)		2020/11/18	
	4 PLACES ±		2009/07/31	
	3 PLACES ±		2009/08/10	
2 PLACES ±		INITIAL REVISION:		
1 PLACE ±		DRWN: RSTONE		
0 PLACES ±		APPR: JFMURPHY		
ANGULAR TOL ± °		DRAWING SERIES		
DRAFT WHERE APPLICABLE MUST REMAIN WITHIN DIMENSIONS		C-SIZE 130025		

DOCUMENT NUMBER	DOC TYPE	DOC PART	REVISION
SD-130025-021	PSD	001	B
MATERIAL NUMBER	CUSTOMER	SHEET NUMBER	
SEE TABLE	GENERAL MARKET	1 OF 1	