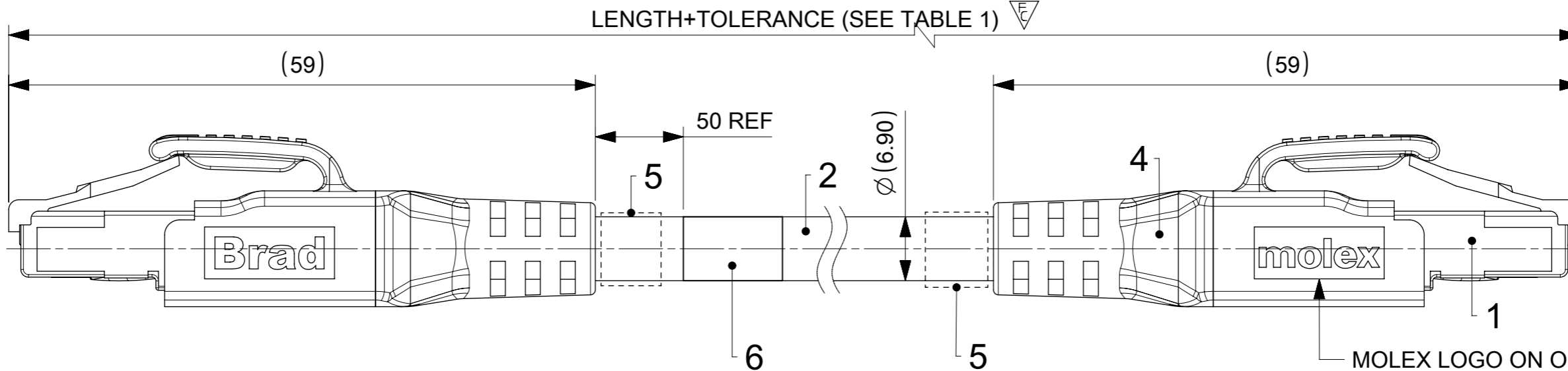
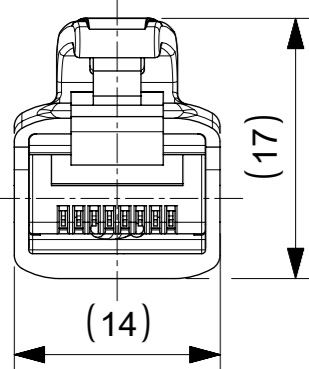
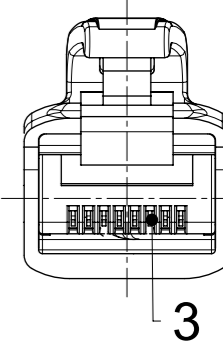


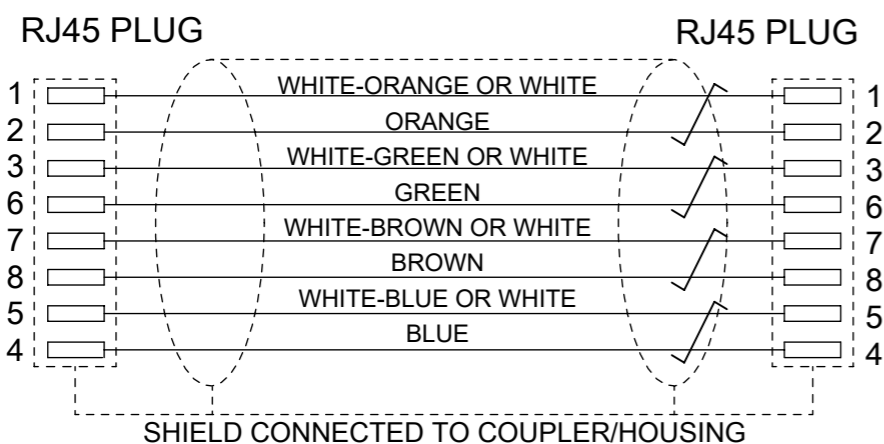
RJ45 PLUG FRONT VIEW



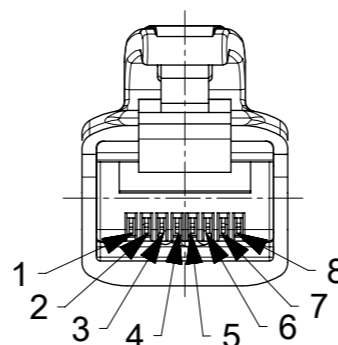
RJ45 PLUG FRONT VIEW



WIRING DIAGRAM



RJ45 PLUG FRONT VIEW



5 ID CARRIER ONLY FOR ENGINEERING NUMBERS WITH THE SUFFIX "H"

MOLEX LOGO ON ONE SIDE
BRAD LOGO ON OTHER SIDE

NOTES:

VOLTAGE RATING: 30 V A.C. OR 42 V D.C.

CURRENT RATING: 0.5 A

TEMPERATURE RATING:

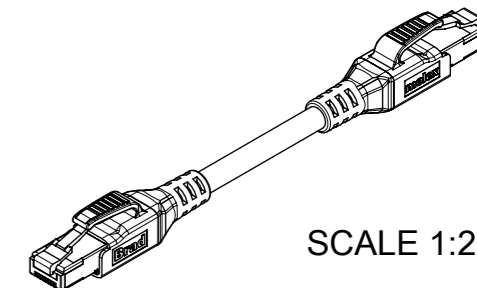
STATIC: -40 °C TO 80 °C

DYNAMIC: -20 °C TO 80 °C

IP RATING: IP 20

TRANSMISSION CHARACTERISTICS ACCORDING TO ISO/IEC 11801 CLASS E_A CHANNEL, WITH INSERTION LOSS BEING IGNORED FOR CABLE LENGTHS <1 m OR >65 m

PACKAGING: CORDSETS ARE PACKED IN A POLYBAG



BILL OF MATERIAL

| ITEM | QTY | DESCRIPTION | MATERIAL | FINISH/COLOR |
|------|-----|-------------------------------|-----------------|---------------------|
| 1 | 2 | RJ45-PLUG 8P8C SHLD LONG BODY | - | - |
| 2 | 1 | CABLE 4X2X26/7AWG DIA 6.9 | PUR | GREEN |
| 3 | 16 | CONTACT RJ45 | PHOSPHOR BRONZE | SELECTIVE Au PLATED |
| 4 | - | OVERMOLD | TPU | BLACK |
| 5 | 2 | I/D CARRIER 6-10mmx30mm | PVC | TRANSPARENT |
| 6 | 1 | LABEL 2.0X1.75 | VINYL | YELLOW |

| | | | | |
|-----------------|----|--------------|------------|----------|
| DOCUMENT STATUS | P1 | RELEASE DATE | 2023/05/09 | 14:34:39 |
|-----------------|----|--------------|------------|----------|

| FUNCTIONAL SYMBOLS | THIS DRAWING CONTAINS INFORMATION THAT IS PROPRIETARY TO MOLEX ELECTRONIC TECHNOLOGIES, LLC AND SHOULD NOT BE USED WITHOUT WRITTEN PERMISSION | CURRENT REV DESC: | | molex | | | | | | | | | | | | | | | | | | | | | | | | | | | | | | | | | | | | | | | | | | | | | | |
|--|---|------------------------|-----------------|--------------|-----------------|----------------|--------------|-------|---------|----|-----|---------|---------------------------------------|--|---------|--------------------|--|--------------------|----------|---|--|----------|---|--|----------|---|------|---------|---|-----|----------|---|-----|---|--|---------------|------------|--------------|------------|----------------|------------|---------------|------------|--|--|--|--|-----------------|----------|----------|
| | <table border="1"> <tr> <th>FUNCTIONAL SYMBOLS</th> <th>DIMENSION UNITS</th> <th>SCALE</th> </tr> <tr> <td>▽/A = 0</td> <td>mm</td> <td>2:1</td> </tr> <tr> <td>▽/E = 1</td> <td colspan="2">GENERAL TOLERANCES (UNLESS SPECIFIED)</td> </tr> <tr> <td>▽/F = 0</td> <td colspan="2">ANGULAR TOL ± 1.0°</td> </tr> <tr> <td rowspan="5">DIVISIONAL SYMBOLS</td> <td>4 PLACES</td> <td>±</td> <td></td> </tr> <tr> <td>3 PLACES</td> <td>±</td> <td></td> </tr> <tr> <td>2 PLACES</td> <td>±</td> <td>0.05</td> </tr> <tr> <td>1 PLACE</td> <td>±</td> <td>0.3</td> </tr> <tr> <td>0 PLACES</td> <td>±</td> <td>0.5</td> </tr> </table> | FUNCTIONAL SYMBOLS | DIMENSION UNITS | | | | | SCALE | ▽/A = 0 | mm | 2:1 | ▽/E = 1 | GENERAL TOLERANCES (UNLESS SPECIFIED) | | ▽/F = 0 | ANGULAR TOL ± 1.0° | | DIVISIONAL SYMBOLS | 4 PLACES | ± | | 3 PLACES | ± | | 2 PLACES | ± | 0.05 | 1 PLACE | ± | 0.3 | 0 PLACES | ± | 0.5 | <table border="1"> <tr> <td>EC NO: 748912</td> <td>2023/05/09</td> </tr> <tr> <td>DRWN: ARPITT</td> <td>2023/05/09</td> </tr> <tr> <td>CHK'D: RSILLER</td> <td>2023/05/09</td> </tr> <tr> <td>APPR: RSILLER</td> <td>2023/05/09</td> </tr> </table> | | EC NO: 748912 | 2023/05/09 | DRWN: ARPITT | 2023/05/09 | CHK'D: RSILLER | 2023/05/09 | APPR: RSILLER | 2023/05/09 | <table border="1"> <tr> <td>DOCUMENT NUMBER</td> <td>DOC TYPE</td> <td>DOC PART</td> <td>REVISION</td> </tr> <tr> <td>1203410600</td> <td>PSD</td> <td>000</td> <td>A5</td> </tr> </table> | | | | DOCUMENT NUMBER | DOC TYPE | DOC PART |
| FUNCTIONAL SYMBOLS | DIMENSION UNITS | SCALE | | | | | | | | | | | | | | | | | | | | | | | | | | | | | | | | | | | | | | | | | | | | | | | | |
| ▽/A = 0 | mm | 2:1 | | | | | | | | | | | | | | | | | | | | | | | | | | | | | | | | | | | | | | | | | | | | | | | | |
| ▽/E = 1 | GENERAL TOLERANCES (UNLESS SPECIFIED) | | | | | | | | | | | | | | | | | | | | | | | | | | | | | | | | | | | | | | | | | | | | | | | | | |
| ▽/F = 0 | ANGULAR TOL ± 1.0° | | | | | | | | | | | | | | | | | | | | | | | | | | | | | | | | | | | | | | | | | | | | | | | | | |
| DIVISIONAL SYMBOLS | 4 PLACES | ± | | | | | | | | | | | | | | | | | | | | | | | | | | | | | | | | | | | | | | | | | | | | | | | | |
| | 3 PLACES | ± | | | | | | | | | | | | | | | | | | | | | | | | | | | | | | | | | | | | | | | | | | | | | | | | |
| | 2 PLACES | ± | 0.05 | | | | | | | | | | | | | | | | | | | | | | | | | | | | | | | | | | | | | | | | | | | | | | | |
| | 1 PLACE | ± | 0.3 | | | | | | | | | | | | | | | | | | | | | | | | | | | | | | | | | | | | | | | | | | | | | | | |
| | 0 PLACES | ± | 0.5 | | | | | | | | | | | | | | | | | | | | | | | | | | | | | | | | | | | | | | | | | | | | | | | |
| EC NO: 748912 | 2023/05/09 | | | | | | | | | | | | | | | | | | | | | | | | | | | | | | | | | | | | | | | | | | | | | | | | | |
| DRWN: ARPITT | 2023/05/09 | | | | | | | | | | | | | | | | | | | | | | | | | | | | | | | | | | | | | | | | | | | | | | | | | |
| CHK'D: RSILLER | 2023/05/09 | | | | | | | | | | | | | | | | | | | | | | | | | | | | | | | | | | | | | | | | | | | | | | | | | |
| APPR: RSILLER | 2023/05/09 | | | | | | | | | | | | | | | | | | | | | | | | | | | | | | | | | | | | | | | | | | | | | | | | | |
| DOCUMENT NUMBER | DOC TYPE | DOC PART | REVISION | | | | | | | | | | | | | | | | | | | | | | | | | | | | | | | | | | | | | | | | | | | | | | | |
| 1203410600 | PSD | 000 | A5 | | | | | | | | | | | | | | | | | | | | | | | | | | | | | | | | | | | | | | | | | | | | | | | |
| DRAFT WHERE APPLICABLE MUST REMAIN WITHIN DIMENSIONS | | THIRD ANGLE PROJECTION | DRAWING | SERIES | MATERIAL NUMBER | CUSTOMER | SHEET NUMBER | | | | | | | | | | | | | | | | | | | | | | | | | | | | | | | | | | | | | | | | | | | |
| | | | A3-SIZE | 120341 | SEE TABLE 1 | GENERAL MARKET | 1 OF 2 | | | | | | | | | | | | | | | | | | | | | | | | | | | | | | | | | | | | | | | | | | | |

TABLE 1

| MOLEX PN | ENGINEERING NO. | DESCRIPTION | LENGTH [mm] |
|-----------------|-----------------|---|-------------|
| 1203410600 | E66E06020M005 | CSE RJ45 CAT6A 8P 0C FE STR PUR GREEN 0.5M | 500 |
| 1203410601 | E66E06020M010 | CSE RJ45 CAT6A 8P 0C FE STR PUR GREEN 1M | 1000 |
| 1203410602 | E66E06020M020 | CSE RJ45 CAT6A 8P 0C FE STR PUR GREEN 2M | 2000 |
| 1203410603 | E66E06020M030 | CSE RJ45 CAT6A 8P 0C FE STR PUR GREEN 3M | 3000 |
| 1203410604 | E66E06020M040 | CSE RJ45 CAT6A 8P 0C FE STR PUR GREEN 4M | 4000 |
| 1203410605 | E66E06020M050 | CSE RJ45 CAT6A 8P 0C FE STR PUR GREEN 5M | 5000 |
| 1203410606 | E66E06020M100 | CSE RJ45 CAT6A 8P 0C FE STR PUR GREEN 10M | 10000 |
| 1203410607 | E66E06020M150 | CSE RJ45 CAT6A 8P 0C FE STR PUR GREEN 15M | 15000 |
| 1203410960 | E66E06020M200 | CSE RJ45 CAT6A 8P 0C FE STR PUR GREEN 20M | 20000 |
| 1203410862 | E66E06020M250 | CSE RJ45 CAT6A 8P 0C FE STR PUR GREEN 25M | 25000 |
| 1203410961 | E66E06020M300 | CSE RJ45 CAT6A 8P 0C FE STR PUR GREEN 30M | 30000 |
| 1203410962 | E66E06020M400 | CSE RJ45 CAT6A 8P 0C FE STR PUR GREEN 40M | 40000 |
| 1203410963 | E66E06020M500 | CSE RJ45 CAT6A 8P 0C FE STR PUR GREEN 50M | 50000 |
| 1203410909 | E66E06020M550 | CSE RJ45 CAT6A 8P 0C FE STR PUR GREEN 55M | 55000 |
| 1203410964 | E66E06020M600 | CSE RJ45 CAT6A 8P 0C FE STR PUR GREEN 60M | 60000 |
| 1203410910 | E66E06020M650 | CSE RJ45 CAT6A 8P 0C FE STR PUR GREEN 65M | 65000 |
| 1203410965 | E66E06020M700 | CSE RJ45 CAT6A 8P 0C FE STR PUR GREEN 70M | 70000 |
| 1203410966 | E66E06020M800 | CSE RJ45 CAT6A 8P 0C FE STR PUR GREEN 80M | 80000 |
| 1203410934 | E66E06020M900 | CSE RJ45 CAT6A 8P 0C FE STR PUR GREEN 90M | 90000 |
| WITH ID CARRIER | | | |
| 1203410608 | E66E06020M005H | CSE RJ45 CAT6A 8P 0C FE STR PUR GREEN 0.5M-ID | 500 |
| 1203410609 | E66E06020M010H | CSE RJ45 CAT6A 8P 0C FE STR PUR GREEN 1M-ID | 1000 |
| 1203410610 | E66E06020M020H | CSE RJ45 CAT6A 8P 0C FE STR PUR GREEN 2M-ID | 2000 |
| 1203410967 | E66E06020M030H | CSE RJ45 CAT6A 8P 0C FE STR PUR GREEN 3M-ID | 3000 |
| 1203410611 | E66E06020M050H | CSE RJ45 CAT6A 8P 0C FE STR PUR GREEN 5M-ID | 5000 |
| 1203410971 | E66E06020M060H | CSE RJ45 CAT6A 8P 0C FE STR PUR GREEN 6M-ID | 6000 |
| 1203410970 | E66E06020M080H | CSE RJ45 CAT6A 8P 0C FE STR PUR GREEN 8M-ID | 8000 |
| 1203410612 | E66E06020M100H | CSE RJ45 CAT6A 8P 0C FE STR PUR GREEN 10M-ID | 10000 |
| 1203410613 | E66E06020M150H | CSE RJ45 CAT6A 8P 0C FE STR PUR GREEN 15M-ID | 15000 |
| 1203410969 | E66E06020M170H | CSE RJ45 CAT6A 8P 0C FE STR PUR GREEN 17M-ID | 17000 |
| 1203410620 | E66E06020M200H | CSE RJ45 CAT6A 8P 0C FE STR PUR GREEN 20M-ID | 20000 |
| 1203410973 | E66E06020M250H | CSE RJ45 CAT6A 8P 0C FE STR PUR GREEN 25M-ID | 25000 |
| 1203410621 | E66E06020M300H | CSE RJ45 CAT6A 8P 0C FE STR PUR GREEN 30M-ID | 30000 |
| 1203410622 | E66E06020M400H | CSE RJ45 CAT6A 8P 0C FE STR PUR GREEN 40M-ID | 40000 |
| 1203410968 | E66E06020M460H | CSE RJ45 CAT6A 8P 0C FE STR PUR GREEN 46M-ID | 46000 |
| 1203410623 | E66E06020M500H | CSE RJ45 CAT6A 8P 0C FE STR PUR GREEN 50M-ID | 50000 |
| 1203410972 | E66E06020M530H | CSE RJ45 CAT6A 8P 0C FE STR PUR GREEN 53M-ID | 53000 |
| 1203410624 | E66E06020M600H | CSE RJ45 CAT6A 8P 0C FE STR PUR GREEN 60M-ID | 60000 |
| 1203410625 | E66E06020M700H | CSE RJ45 CAT6A 8P 0C FE STR PUR GREEN 70M-ID | 70000 |
| 1203410913 | E66E06020M800H | CSE RJ45 CAT6A 8P 0C FE STR PUR GREEN 80M-ID | 80000 |

CABLE LENGTH TOLERANCES

| LENGTH | TOLERANCE |
|--------------|------------|
| 0 m - 1 m | +40 mm |
| >1 m - 5 m | +60 mm |
| >5 m - 10 m | +80 mm |
| >10 m - 20 m | +140 mm |
| >20 m - 30 m | +160 mm |
| >30 m | +1% length |

| | | | | | | | | |
|---|---|---|--------------------|------------------|--------------------------------|--|------------------------|----------------|
| FUNCTIONAL SYMBOLS ∇/A = 0 ∇/E = 0 ∇/P = 0 | THIS DRAWING CONTAINS INFORMATION THAT IS PROPRIETARY TO MOLEX ELECTRONIC TECHNOLOGIES, LLC AND SHOULD NOT BE USED WITHOUT WRITTEN PERMISSION | SCALE 1:1 | CURRENT REV DESC: | | | | | |
| | DIMENSION UNITS mm | GENERAL TOLERANCES (UNLESS SPECIFIED) ANGULAR TOL ± 1.0° 4 PLACES ± 3 PLACES ± 2 PLACES ± 0.05 1 PLACE ± 0.3 0 PLACES ± 0.5 | | | | EC NO: 748912 DRWN: ARPITT CHK'D: RSILLER APPR: RSILLER | | |
| DIVISIONAL SYMBOLS | DRAFT WHERE APPLICABLE MUST REMAIN WITHIN DIMENSIONS | THIRD ANGLE PROJECTION | DRAWING A3-SIZE | SERIES 120341 | DOCUMENT NUMBER 1203410600 | DOC TYPE PSD | DOC PART 000 | REVISION A5 |
| | | | | | MATERIAL NUMBER SEE TABLE 1 | CUSTOMER GENERAL MARKET | SHEET NUMBER 2 OF 2 | |

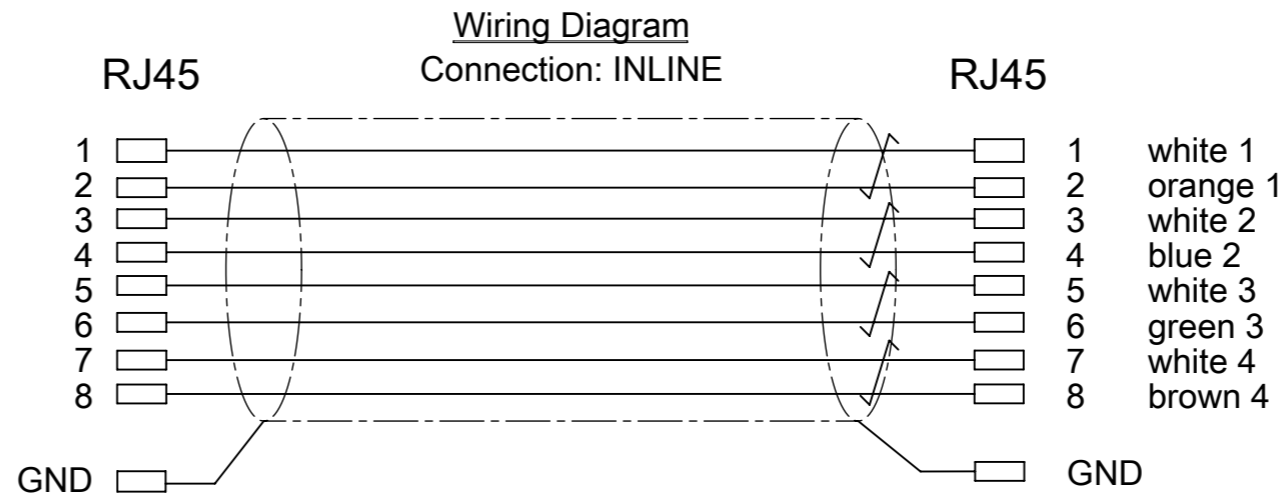


CSE RJ45 CAT6A 8P STR PUR XM

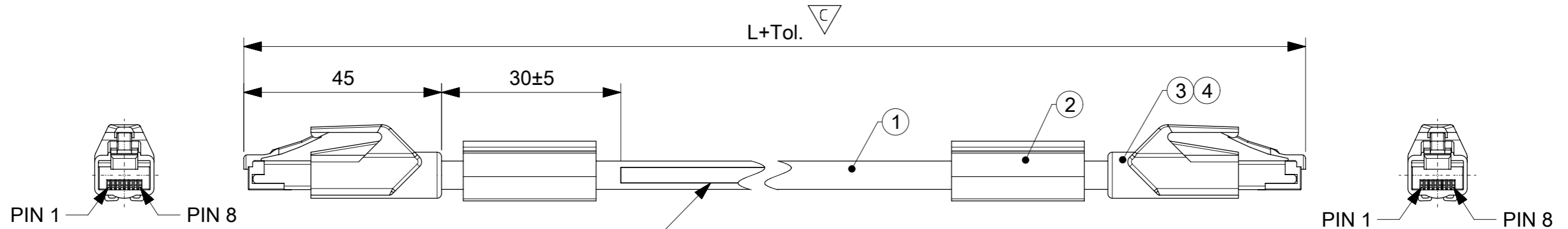
PRODUCT CUSTOMER DRAWING

CABLE SPECIFICATION:

CONDUCTOR:
SECTION 4x2x26AWG
JACKET:
MATERIAL: PUR
COLOR: TEAL
DIAMETER: 6.4mm
TEMPERATURE RANGE:
DINAMIC: -10°C TO +50°C
STATIC: -40°C TO +70°C
MAX. OPERATING VOLTAGE: 125V

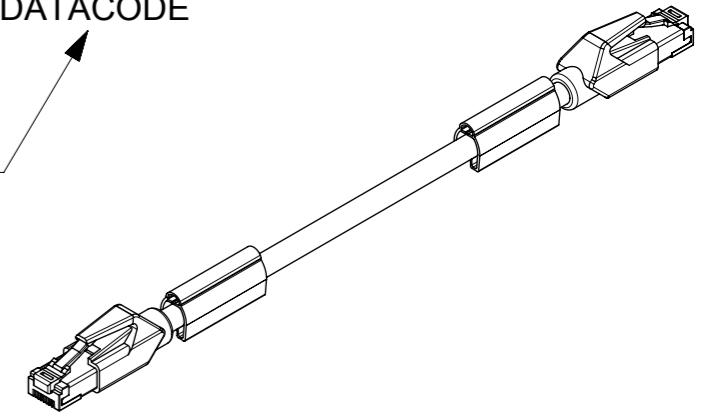


PAIRS OF WIRES
PAIR 1: WHITE 1 - ORANGE 1
PAIR 2: WHITE 2 - GREEN 2
PAIR 3: WHITE 3 - BROWN 3
PAIR 4: WHITE 4 - BLUE 4



CABLE PRINTING:
MOLEX ETHERNET CABLE CAT6A 4x2x26 MOLEX PN DATACODE

SEE TABLE 1
DATE ACC. TO WN-00001



SCALE 1:2

TABLE 1

| MOLEX PN | L[mm] | ENGINEERING PN |
|------------|-------|----------------|
| 1203410608 | 500 | E66E06020M005H |
| 1203410609 | 1000 | E66E06020M010H |
| 1203410610 | 2000 | E66E06020M020H |
| 1203410611 | 5000 | E66E06020M050H |
| 1203410612 | 10000 | E66E06020M100H |
| 1203410613 | 15000 | E66E06020M150H |
| 1203410620 | 20000 | E66E06020M200H |
| 1203410621 | 30000 | E66E06020M300H |
| 1203410622 | 40000 | E66E06020M400H |
| 1203410623 | 50000 | E66E06020M500H |
| 1203410624 | 60000 | E66E06020M600H |
| 1203410625 | 70000 | E66E06020M700H |

| OVER | UP TO AND INCLUDING | TOLERANCE |
|-------|---------------------|---------------|
| 0 | 305 | +19 |
| 305 | 915 | +45 |
| 915 | 1830 | +56 |
| 1830 | 3660 | +89 |
| 3660 | 7320 | +165 |
| 7320 | 14640 | +317 |
| 14640 | 30500 | +610 |
| 30500 | > | +2% OF LENGTH |

BILL OF MATERIALS

| ITEM | QTY. | DESCRIPTION | MATERIAL | FINISH |
|------|------|------------------|----------|--------|
| 4 | - | TAPE | COPPER | - |
| 3 | 2 | PLUG RJ45 | - | - |
| 2 | 2 | ID CARRIER | - | - |
| 1 | - | CABLE 26AWG D6.4 | PUR | - |

| | | | | | |
|--|---|------------------------|--------------------|-----------------|----------------------------|
| FUNCTIONAL SYMBOLS FA = 0 FE = 0 FE = 0 | THIS DRAWING CONTAINS INFORMATION THAT IS PROPRIETARY TO MOLEX ELECTRONIC TECHNOLOGIES, LLC AND SHOULD NOT BE USED WITHOUT WRITTEN PERMISSION | SCALE 1:1 | CURRENT REV DESC: | | |
| | GENERAL TOLERANCES (UNLESS SPECIFIED) | 4 PLACES ± | EC NO: 634425 | 2020/03/20 | |
| DIVISIONAL SYMBOLS | ANGULAR TOL ± ° | 3 PLACES ± | DRWN: MKOWALCZYK01 | 2020/03/23 | |
| | 2 PLACES ± | 1 PLACE ± | CHK'D: DSTACHOWIAK | 2020/03/23 | |
| | 0 PLACES ± | INITIAL REVISION: | APPR: DSTACHOWIAK | 2017/05/29 | |
| | DRAFT WHERE APPLICABLE MUST REMAIN WITHIN DIMENSIONS | THIRD ANGLE PROJECTION | APPR: MIWASIECZKO | 2017/06/05 | |
| | | DRAWING | SERIES | MATERIAL NUMBER | CUSTOMER |
| | | A3-SIZE | 120341 | SEE TABLE 1 | GENERAL MARKET |
| | | | | DOCUMENT NUMBER | DOC TYPE DOC PART REVISION |
| | | | | 1203410608 | PSD 000 B |
| | | | | | SHEET NUMBER |
| | | | | | 1 OF 1 |