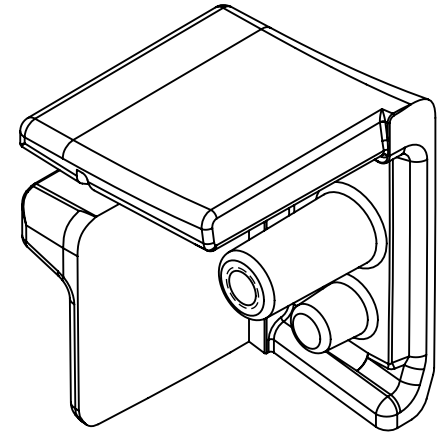
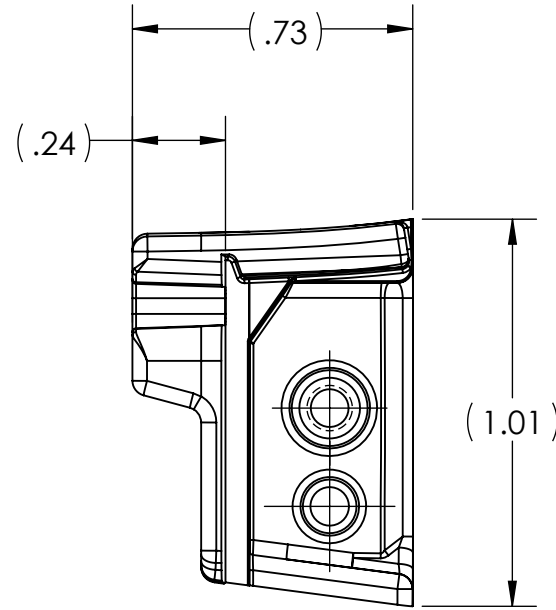
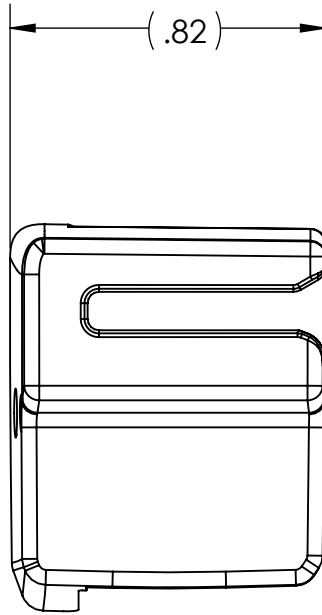
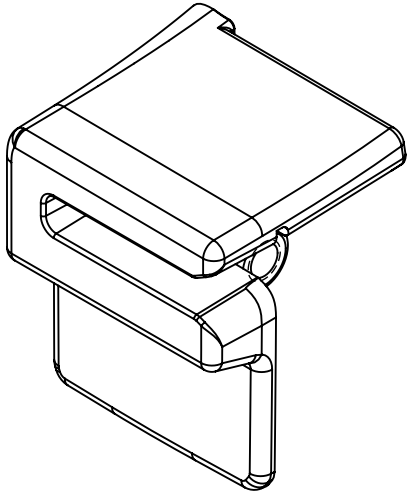


SW2015



Revision level			Revision Record	Changed	Date	Approved	Date
Drawing	State	Part					
00.1	Design Release	-	SEE ECN# 300313	DKM	11-16-2017	TJM	11-16-2017



NOTE: TIE TAIL LENGTH INCREASED BY APPROXIMATELY 5MM OVER STANDARD NOSEPIECE

Material <b>METAL</b>	Units: <b>inches</b>	The copyright of this drawing is reserved by HellermannTyton. It is issued on condition that it is not reproduced, copied, or disclosed to a third party, either wholly or in part, without the consent of HellermannTyton.	Drawn	TJM	6-8-2015	Article/Type-No 110-80067	Scale 2:1	
	Dimension without tolerances details to: .xxxx = ±.0005 .xxx = ±.005 .xx = ±.01 .x = ±.03 None = ±.06 ∠ = ±0.5° Dimension Formatted in/[mm]		Approved	TJM	6-8-2015	Title EVO9 NOSEPIECE EXTENDED 5mm	Project Number PRP 13-0516	
	<b>HellermannTyton</b> North America Email: corp@htamericas.com Web: www.hellermann.tyton.com			Drawing-No	Production : Phase		Format AH	
				<b>13-0516-213-CSU</b>		Sheet 1/1		