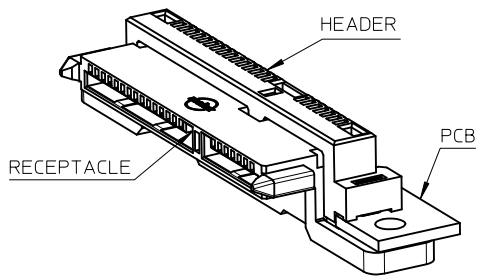
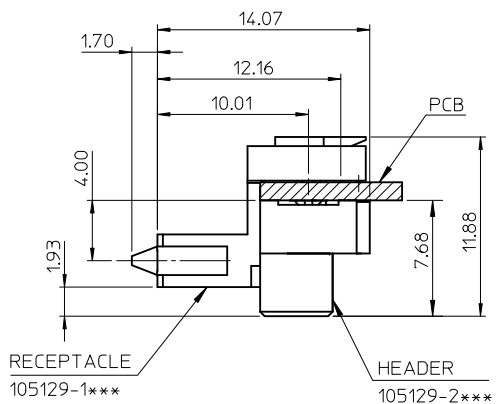


NOTES :

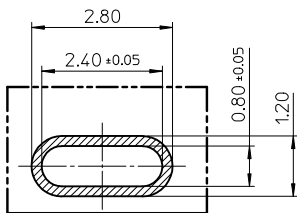
- MATERIAL :
HOUSING : HIGH TEMPERATURE THERMOPLASTIC, UL94V-0, BLACK
TERMINAL : COPPER ALLOY
FORKLOCK : COPPER ALLOY
- PLATING :
TERMINAL :
CONTACT AREA : GOLD PLATING, DETAIL REFER TO CHART
SOLDER AREA : MATTE TIN PLATING 1 MICRON MIN.
UNDERPLATING : NICKEL PLATING 1.25 MICRONS MIN.
FORKLOCK :
TIN PLATING 1 MICRON MIN. OVER NICKEL PLATING 1 MICRON MIN.
- PRODUCT SPEC. : PS-47657-001
PRODUCT PACKAGE : PK-105129-002
- THE PRODUCT COMPLIANT TO RoHS DIRECTIVES 2002/95/EC AND ELV 2000/53/EC.

PART NUMBER	CONTACT GOLD PLATING SPEC.
105129-2200	0.76 MICRONS MIN.
105129-2100	0.25 MICRONS MIN.
105129-2000	0.10 MICRONS MIN

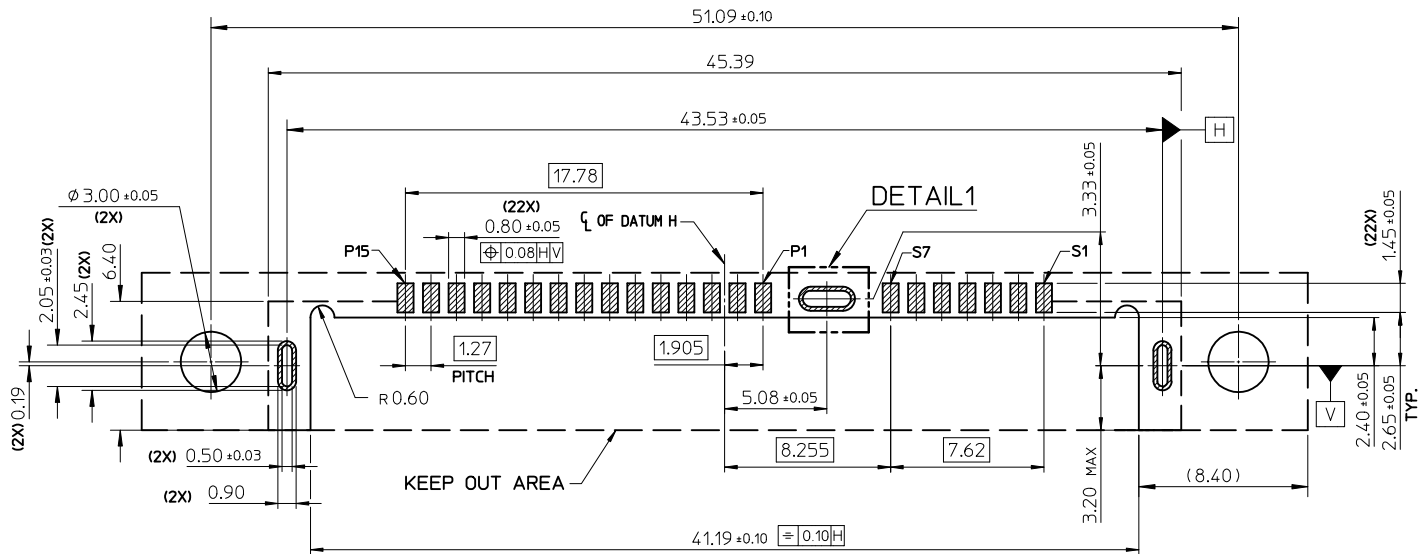
NEW PRODUCT EC NO: SH2010-0492 DRWING:LL1 2010/06/29 CHKD: 2010/12/21 APPR:XJ.SONG REV A	QUALITY SYMBOLS $\nabla F=0$ $\nabla F=0$ $\nabla F=0$	GENERAL TOLERANCES (UNLESS SPECIFIED) <table border="1"> <thead> <tr> <th></th> <th>mm</th> <th>INCH</th> </tr> </thead> <tbody> <tr> <td>4 PLACES</td> <td>± ---</td> <td>± ---</td> </tr> <tr> <td>3 PLACES</td> <td>± ---</td> <td>± ---</td> </tr> <tr> <td>2 PLACES</td> <td>± 0.15</td> <td>± ---</td> </tr> <tr> <td>1 PLACE</td> <td>± 0.25</td> <td>± ---</td> </tr> </tbody> </table> ANGULAR ± 3°		mm	INCH	4 PLACES	± ---	± ---	3 PLACES	± ---	± ---	2 PLACES	± 0.15	± ---	1 PLACE	± 0.25	± ---	DIMENSION STYLE MM ONLY DRAWN BY: XJ.SONG CHECKED BY: STARY SONG APPROVED BY: XJ.SONG MATERIAL NO.	DATE: 2009/08/31 DATE: 2009/08/31 DATE: 2010/12/21	SCALE 4:1	DESIGN UNITS METRIC	THIRD ANGLE PROJECTION	TITLE REMOVABLE SATA 22PINS BOTTOM MOUNT, SMT TYPE HEADER	MOLEX INCORPORATED DOCUMENT NO.	SHEET NO. 1 OF 2
		mm	INCH																						
	4 PLACES	± ---	± ---																						
	3 PLACES	± ---	± ---																						
2 PLACES	± 0.15	± ---																							
1 PLACE	± 0.25	± ---																							
DRAFT WHERE APPLICABLE MUST REMAIN WITHIN DIMENSIONS		SEE TABLE	THIS DRAWING CONTAINS INFORMATION THAT IS PROPRIETARY TO MOLEX INCORPORATED AND SHOULD NOT BE USED WITHOUT WRITTEN PERMISSION																						



MATED WITH 105129-1***



DETAIL 1



RECOMMENDED PCB LAYOUT (COMPONENT SIDE)
PCB THICKNESS=1.20 +/-0.05

SEE SHEET 1 EC NO: SH2010-0492 DRWG: GLLI CHKD: APPR: XJ SONG REV: A	DESCRIPTION 2010/06/29 2010/12/21	QUALITY SYMBOLS $F_A = 0$ $F_B = 0$ $F_C = 0$	GENERAL TOLERANCES (UNLESS SPECIFIED) mm INCH 4 PLACES ± --- ± --- 3 PLACES ± --- ± --- 2 PLACES ± 0.15 ± --- 1 PLACE ± 0.25 ± --- ANGULAR ± 3°	DIMENSION STYLE MM ONLY DRAWN BY: XJ SONG CHECKED BY: STARY SONG APPROVED BY: XJ SONG MATERIAL NO.	DATE: 2009/08/31 DATE: 2009/08/31 DATE: 2010/12/21	SCALE: 4:1 DESIGN UNITS: METRIC THIRD ANGLE PROJECTION	TITLE: REMOVABLE SATA 22PINS BOTTOM MOUNT, SMT TYPE HEADER MOLEX INCORPORATED DOCUMENT NO. SD-105129-200	SHEET NO. 2 OF 2
	DRAFT WHERE APPLICABLE MUST REMAIN WITHIN DIMENSIONS			SIZE: A3	THIS DRAWING CONTAINS INFORMATION THAT IS PROPRIETARY TO MOLEX INCORPORATED AND SHOULD NOT BE USED WITHOUT WRITTEN PERMISSION			