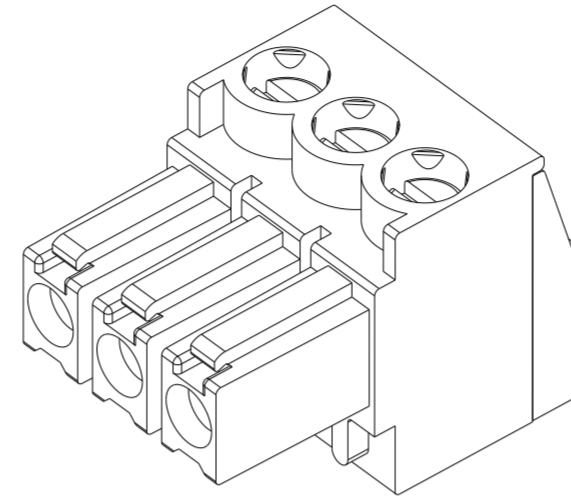
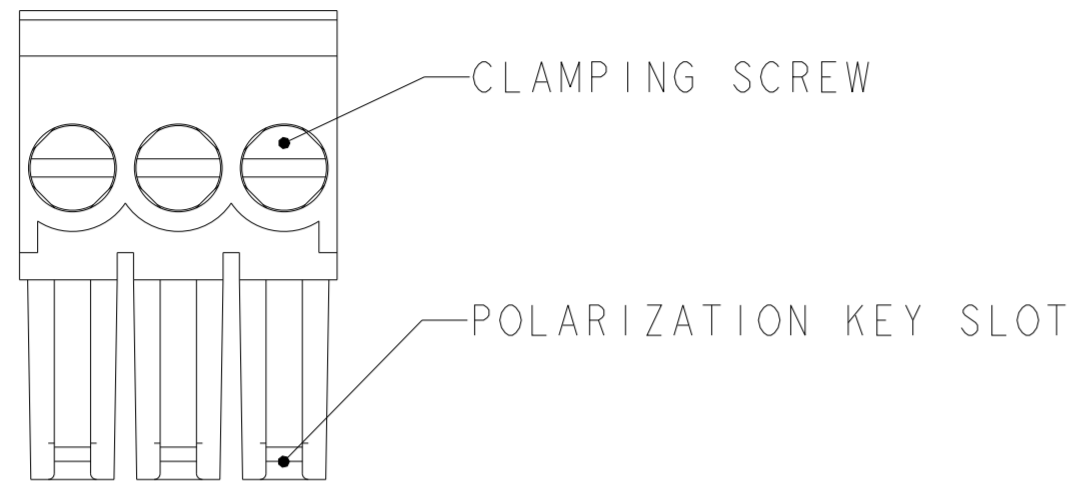
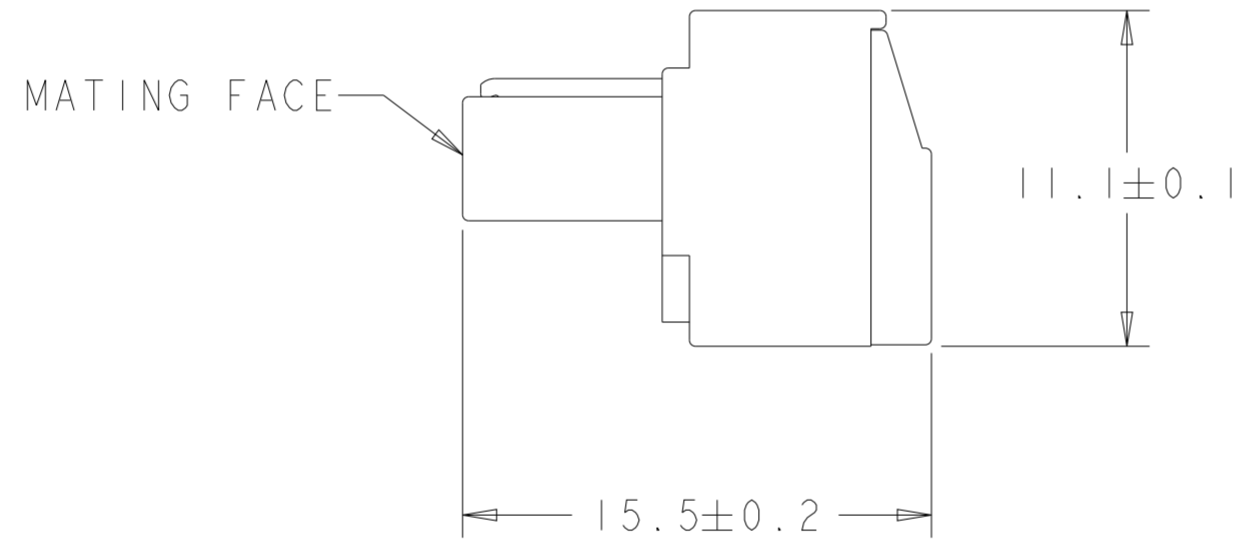
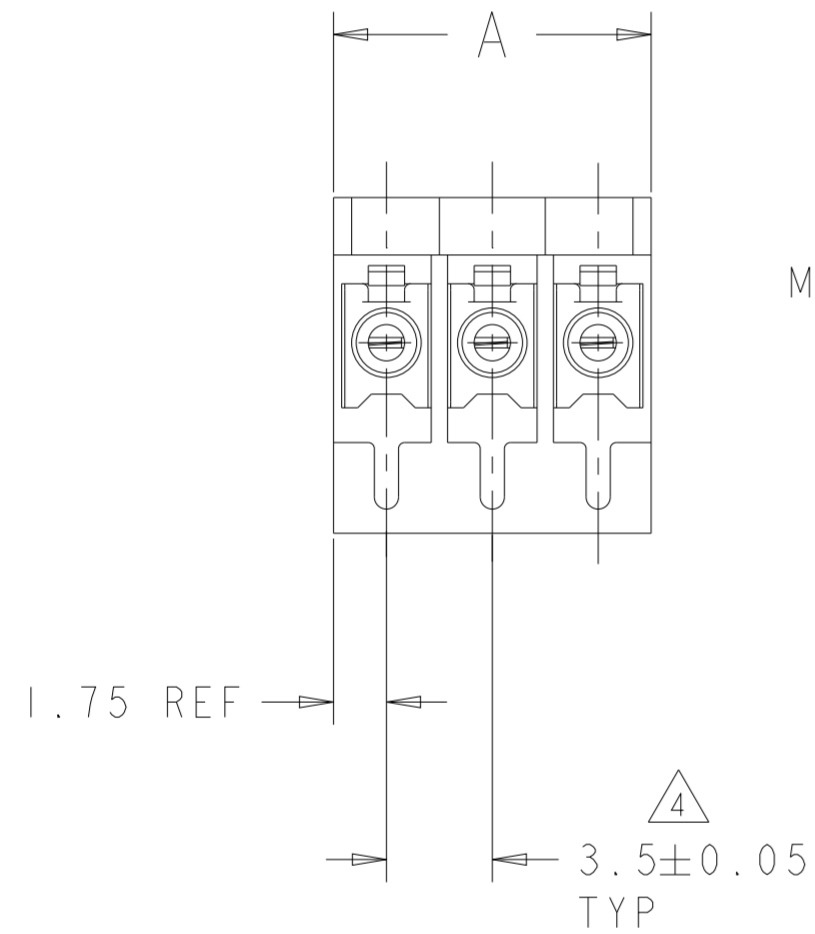


P	LTR	DESCRIPTION	DATE	DWN	APVD
B2		REVISED PER ECO-11-012727	21 JUN2011	HMR	CR
B3		PART STATUS UPDATED	07 JUL2021	SB	SS



796693-3 AS SHOWN



6	SEE SHEET 2	28.0	8	-4-796693-1
6	SEE SHEET 2	21.0	6	-4-796693-0
	SEE SHEET 2	31.5	9	3-796693-9
	SEE SHEET 2	14.0	4	3-796693-4
6	SEE SHEET 2	35.0	10	-3-796693-0
	-	87.5	25	2-796693-5
	-	84.0	24	2-796693-4
	-	80.5	23	2-796693-3
	-	77.0	22	2-796693-2
	-	73.5	21	2-796693-1
	-	70.0	20	2-796693-0
	-	66.5	19	1-796693-9
	-	63.0	18	1-796693-8
	-	59.5	17	1-796693-7
	-	56.0	16	1-796693-6
	-	52.5	15	1-796693-5
	-	49.0	14	1-796693-4
	-	45.5	13	1-796693-3
	-	42.0	12	1-796693-2
	-	38.5	11	1-796693-1
	-	35.0	10	1-796693-0
	-	31.5	9	796693-9
	-	28.0	8	796693-8
	-	24.5	7	796693-7
	-	21.0	6	796693-6
	-	17.5	5	796693-5
	-	14.0	4	796693-4
	-	10.5	3	796693-3
	-	7.0	2	796693-2
	INK STAMPING	A	NO. OF POSN	PART NUMBER

- 1 MATERIALS AND FINISH:  
 HOUSING : PA 6.6, UL 94-V0, COLOR: BLUE.  
 CLAMP : BRASS, NICKEL PLATED  
 TERMINAL : BRASS, TIN PLATED  
 CONTACT SPRING : PHOSPHOR BRONZE, TIN PLATED  
 CLAMPING SCREW : M2, BRASS, NICKEL PLATED

2. END-TO-END STACKABLE WITHOUT LOSS OF CENTERLINE SPACING

3. WIRE SIZE RANGE: 14-30 AWG (UL APPROVAL)

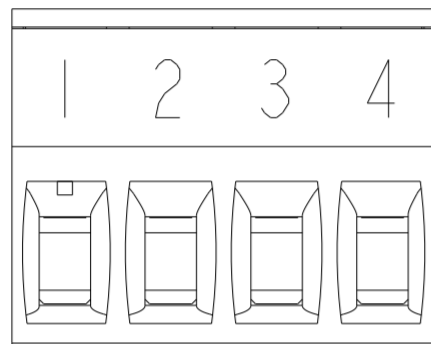
- 4 NOT CUMULATIVE TOLERANCE.
- 5 CHARACTERS INK STAMPED AS SHOWN, COLOR: WHITE.
- 6 OBSOLETE

THIS DRAWING IS A CONTROLLED DOCUMENT.

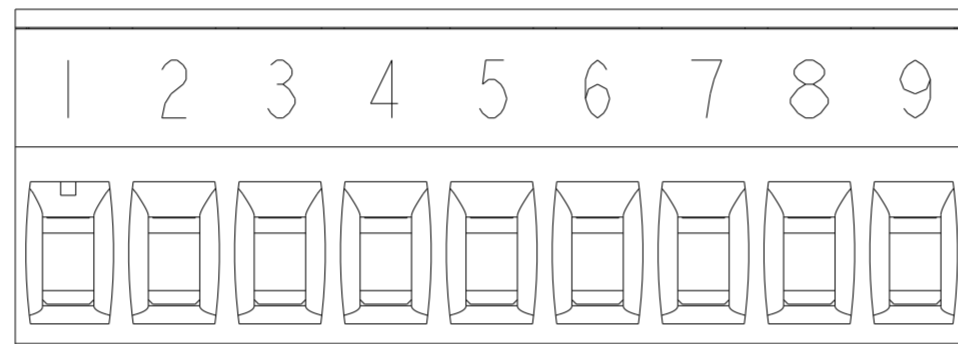
DIMENSIONS: mm	TOLERANCES UNLESS OTHERWISE SPECIFIED: 0 PLC ± 1 PLC ± 2 PLC ± 3 PLC ± 4 PLC ± ANGLES ± FINISH	DWN S. WELDON 27NOV2000 CHK D. BIEVENOUR 27NOV2000 APVD D. BIEVENOUR 27NOV2000	NAME D. BIEVENOUR
MATERIAL		PRODUCT SPEC 108-20166	APPLICATION SPEC 114-20079
		WEIGHT -	SIZE A2
		CUSTOMER DRAWING	SCALE 4:1 SHEET 1 OF 2 REV B3

TE Connectivity  
 TERMINAL BLOCK, PLUG,  
 STACKING  
 3.5 mm PITCH

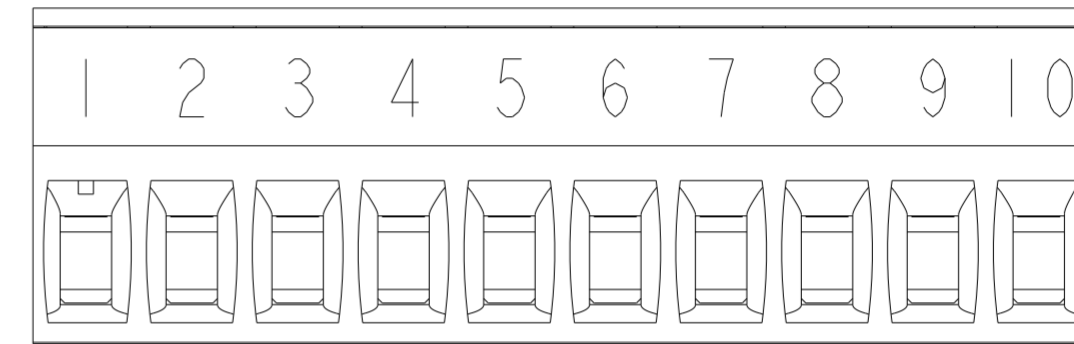
REVISIONS				
P	LTR	DESCRIPTION	DATE	APVD
-		SEE SHEET 1	-	-



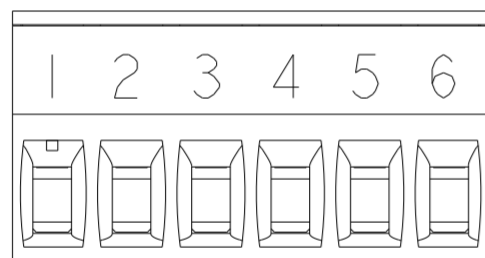
3-796693-4 AS SHOWN  $\triangle 5$



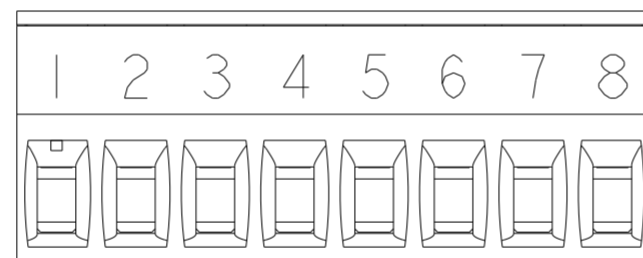
3-796693-9 AS SHOWN  $\triangle 5$




3-796693-0 AS SHOWN  $\triangle 5$



~~4-796693-0~~ AS SHOWN  $\triangle 5$



~~4-796693-1~~ AS SHOWN  $\triangle 5$

THIS DRAWING IS A CONTROLLED DOCUMENT.		DWN S. WELDON 27NOV2000	 TE Connectivity	
DIMENSIONS: mm		CHK D. BIEVENOUR 27NOV2000		
TOLERANCES UNLESS OTHERWISE SPECIFIED:		APVD D. BIEVENOUR 27NOV2000	NAME TERMINAL BLOCK , PLUG, STACKING 3.5 mm PITCH	
0 PLC $\pm$		PRODUCT SPEC 108-20166	SIZE A2	
1 PLC $\pm$		APPLICATION SPEC 114-20079	CAGE CODE 00779	DRAWING NO C-796693
2 PLC $\pm$		WEIGHT -	RESTRICTED TO	
3 PLC $\pm$		CUSTOMER DRAWING		
4 PLC $\pm$		SCALE 4:1		
ANGLES $\pm$		SHEET 2 OF 2		
FINISH -		REV B3		