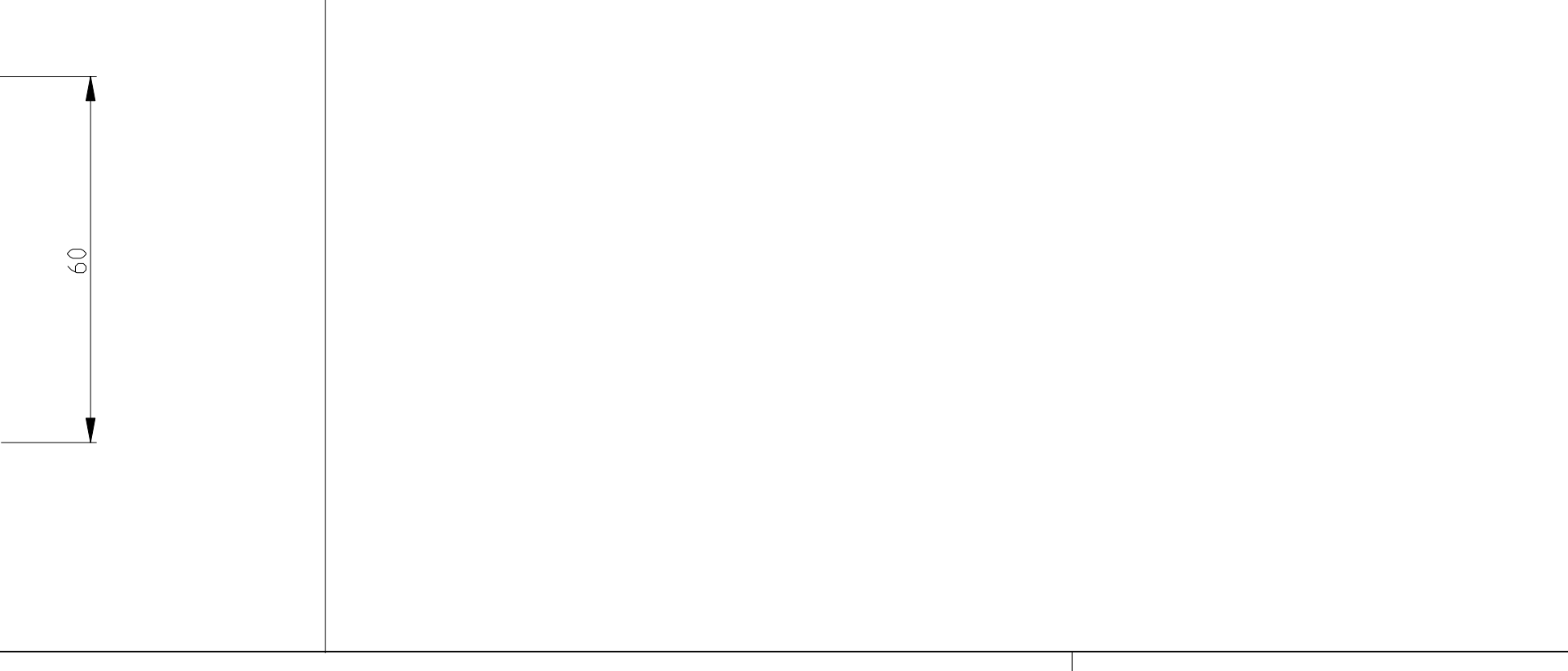
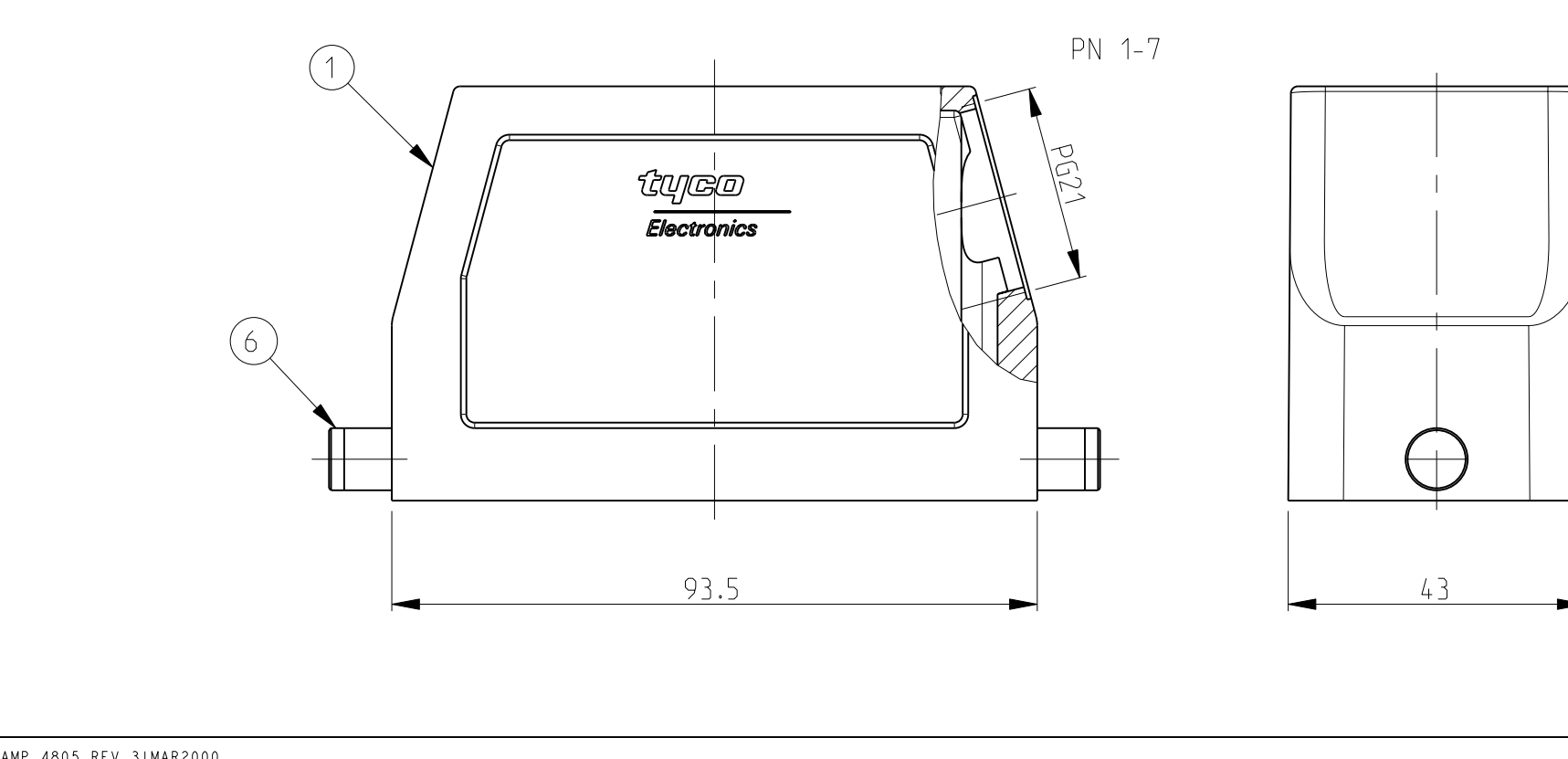
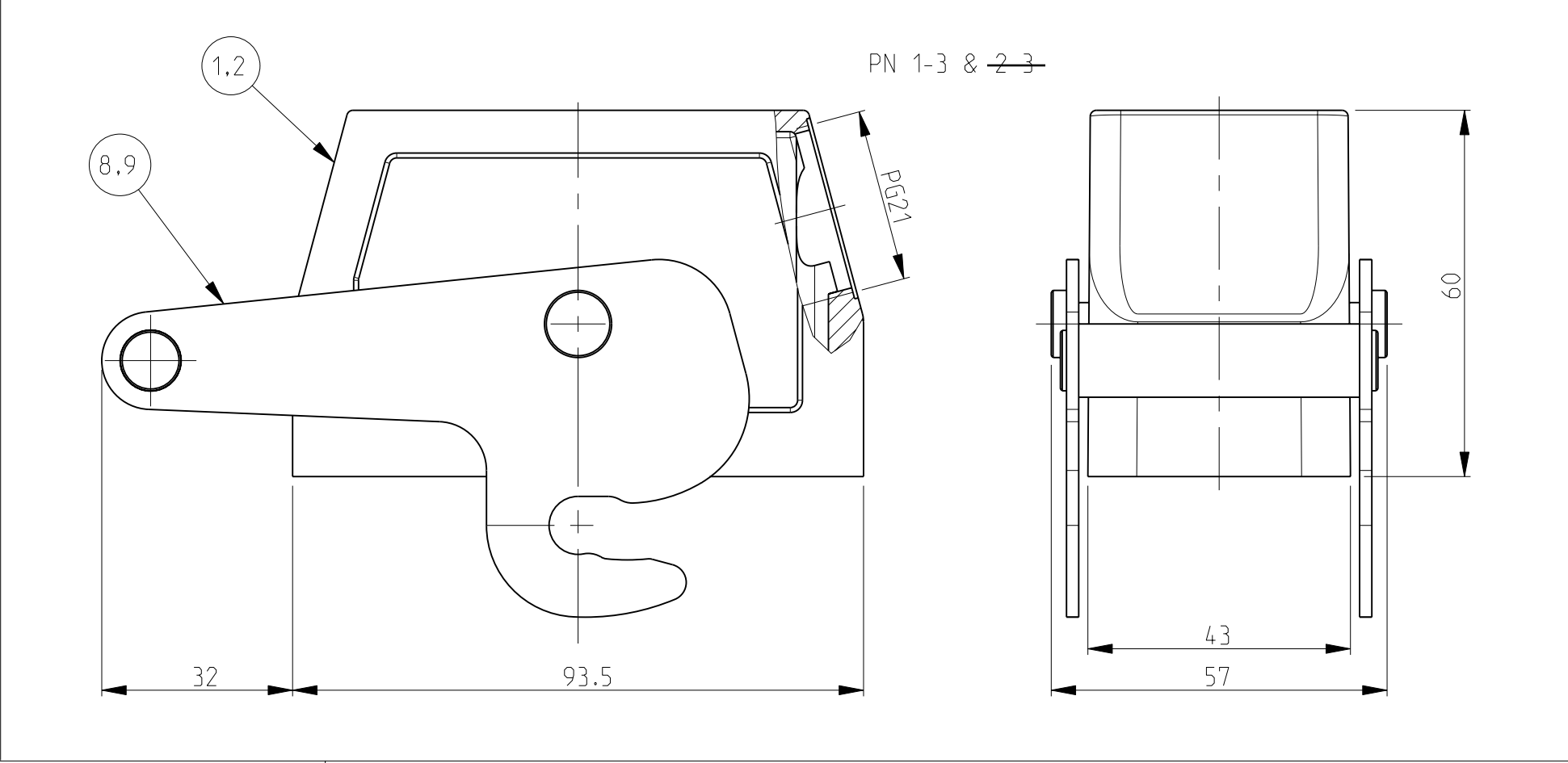
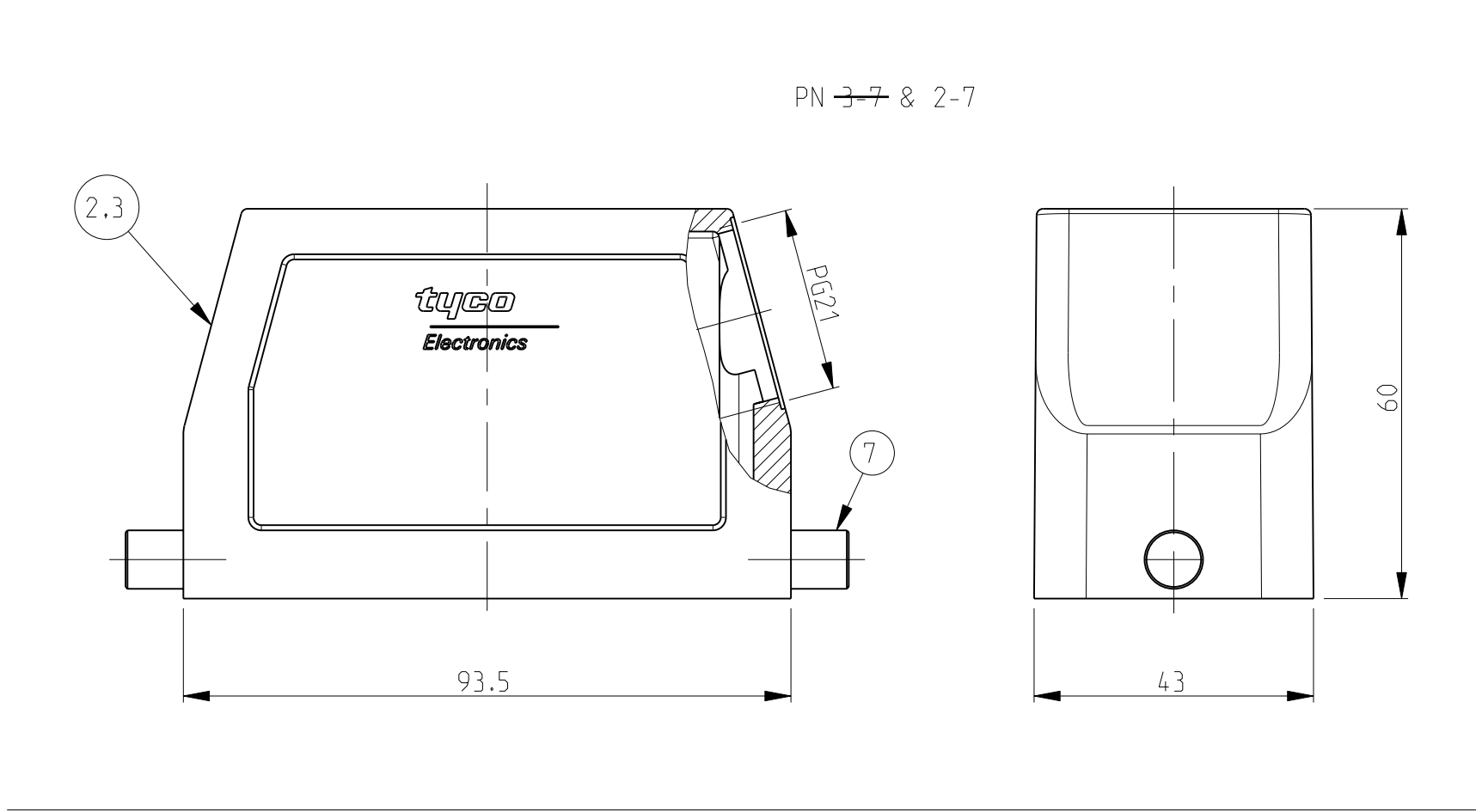
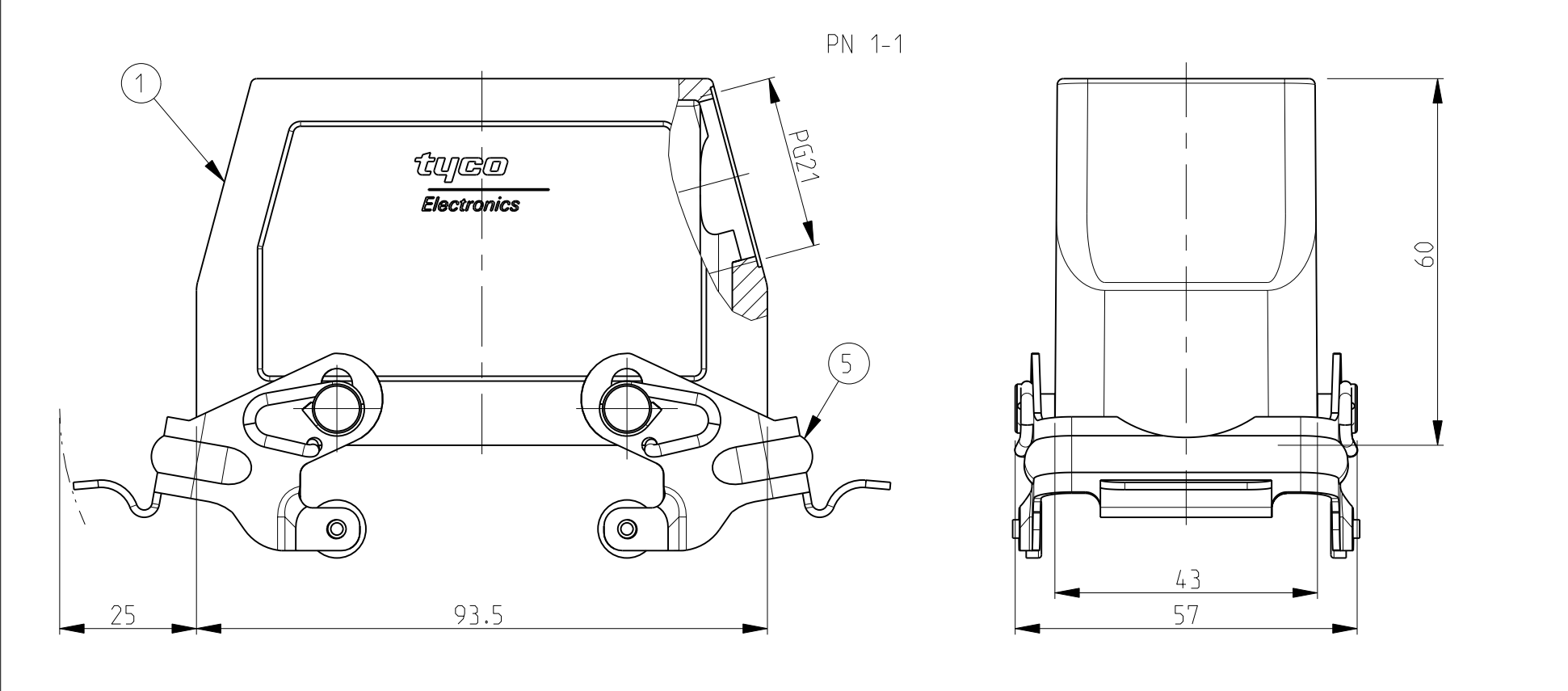
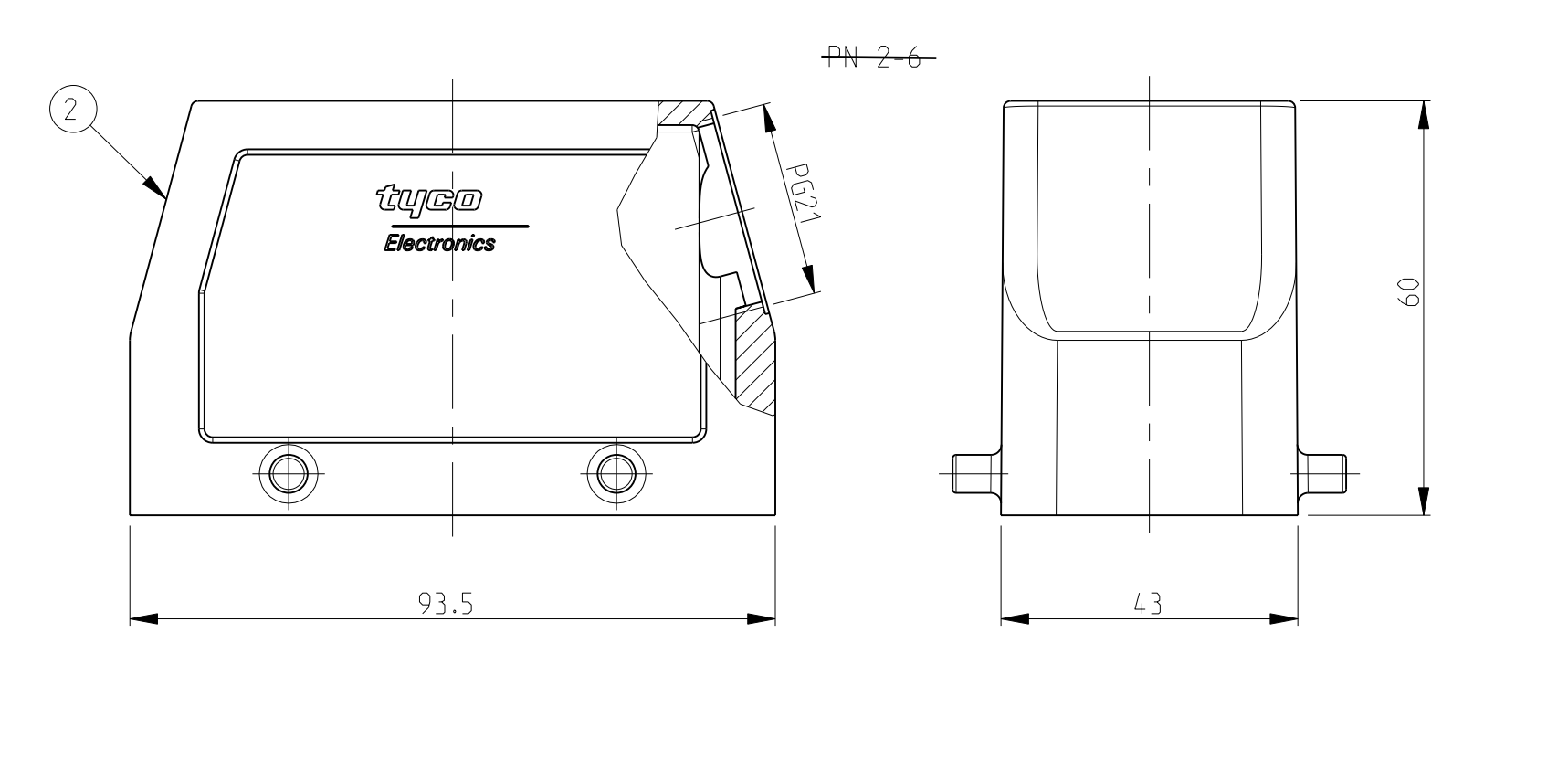
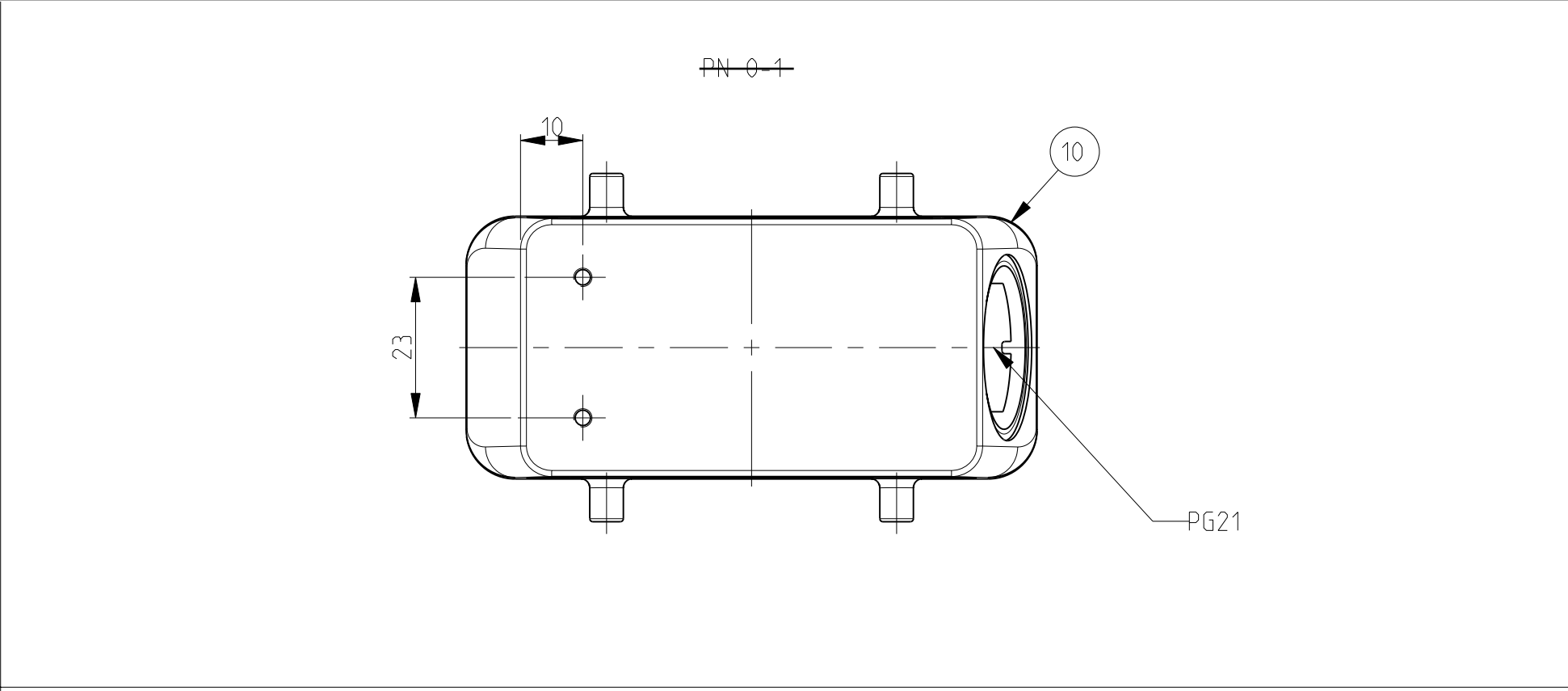
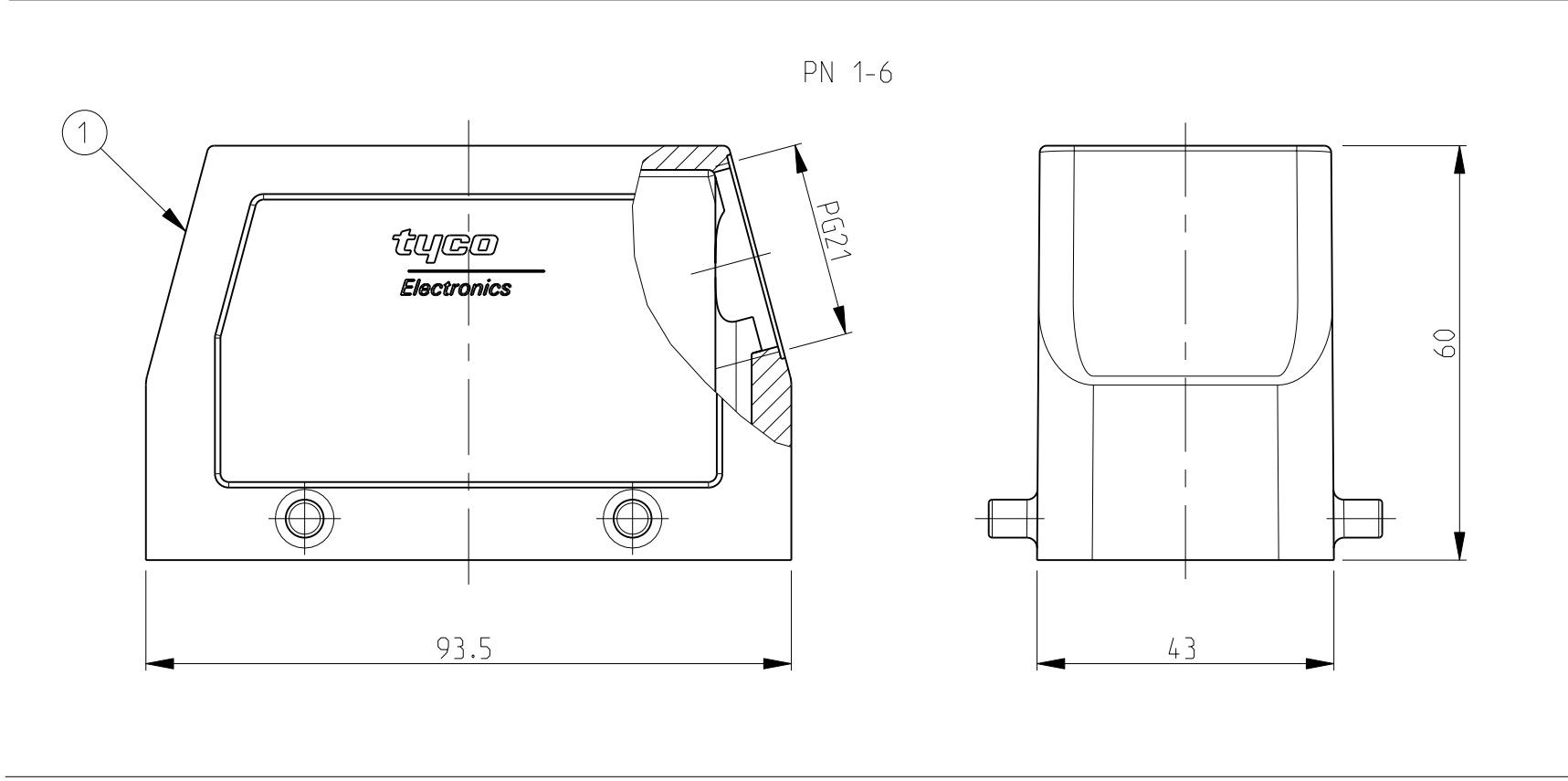
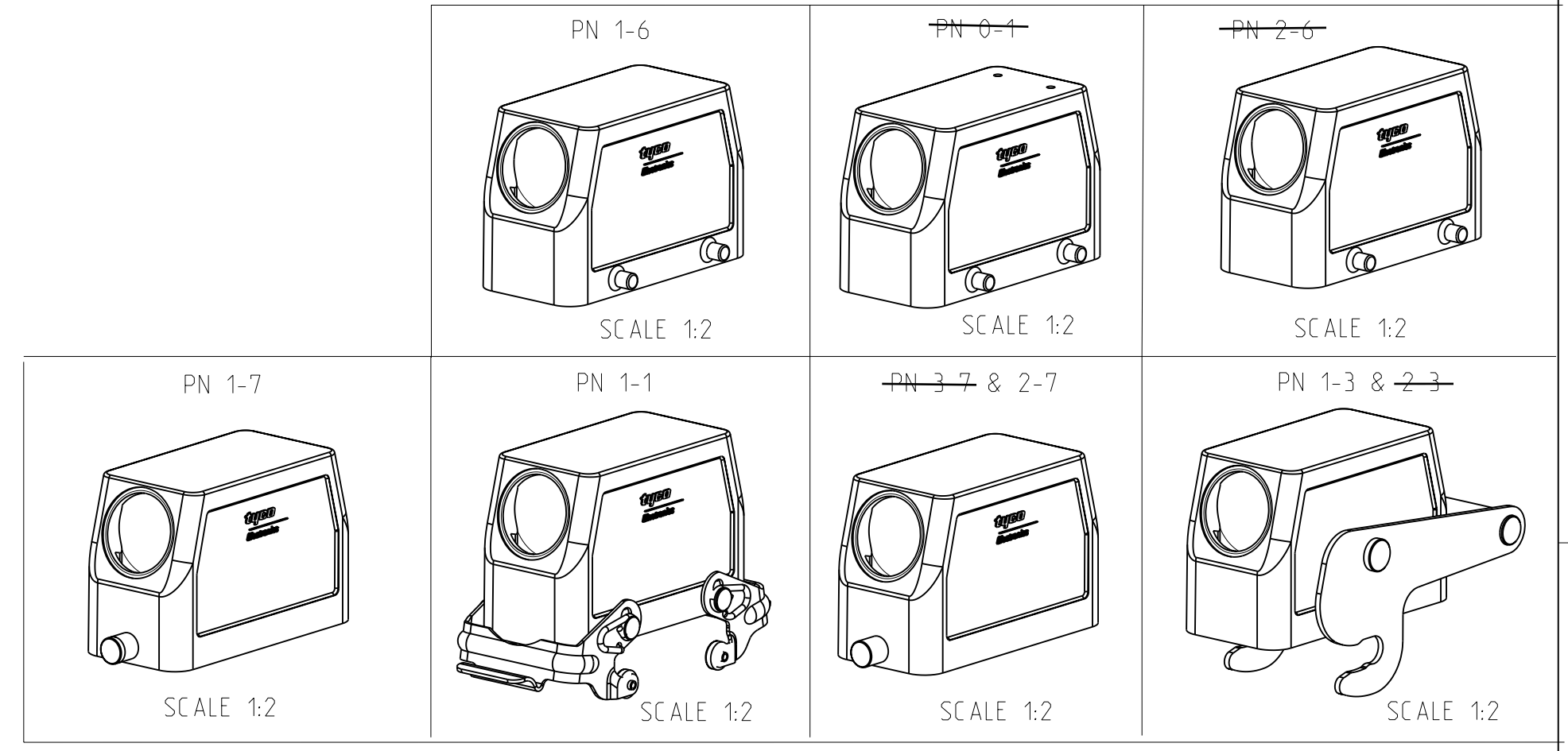


LOC	DIST	REVISIONS			
P	LTR	DESCRIPTION	DATE	DWN	APVD
A6		REVISED PER ECO-09-027197	16DEC2009	KK	AEQ
A7		ECR-17-013084	2APR18	SG	MKO



- NOTES
- Material: Housing: aluminium diecasting alloy
  - Surface: - Powder varnish grey  
- Aluminium oxide+  
- Varnish black
  - Varnish on the inside not necessary
  - Packaging  
Packaging quantity 5 piece in a box
- ⚠️ OBSOLETE PARTS: OBSOLETE CIS STREAMLINING PER D.RENAUD/D.SINISI



QTY	DESCRIPTION	MATERIAL	SURFACE	COLOR	ITEM NO	NOTES
1	Hood HB.16 Pg.1.21	Aluminium		Grey	10	2xM3 for nameplate
1	ZB-Locking Clip	Stainless steel			9	-
1	ZB-Locking Clip	Steel	Zinc plated	Blue	8	-
2	LB-Clip bolt	Stainless steel			7	-
2	LB-Clip bolt	Steel	Zinc plated	Blue	6	Special
2	VS-Locking clip	Steel	Zinc plated	Blue	5	-
2	VS-Clip bolt	Stainless steel			4	-
1	Hood HB.16 Pg.1.21	Aluminium		No varnish	3	-
1	Hood HB.16 Pg.1.21	Aluminium	Aluminium oxide	Black	2	Special
1	Hood HB.16 Pg.1.21	Aluminium		Grey	1	-

ORDERING TEXT

HB.16.STS.1.21.G  
 HB-K.16.STS.1.21.G  
 HB.16.STS-VS.1.21.G  
 HB.16.STS-GR.1.21.G  
 HB-K.16.STS-GR.1.21.G  
 HB-Z.16.STS-ZB.1.21.G  
 HB-K/Z.16.STS-ZB.1.21.G  
 HB.16.STS-GR.1.21.G-S0  
 HB.16.STS.1.21.G-S0

TE Connectivity

NAME: Hood HB.16.STS.1.21.G

PRODUCT SPEC: 108-74001  
 108-74003

APPLICATION SPEC: 114-74001  
 114-74004

WEIGHT: A | 00779 C=1102292

CUSTOMER DRAW ING

SCALE: 1:1 SHEET: 1 OF 1 REV: A7