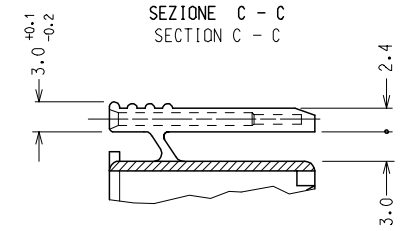
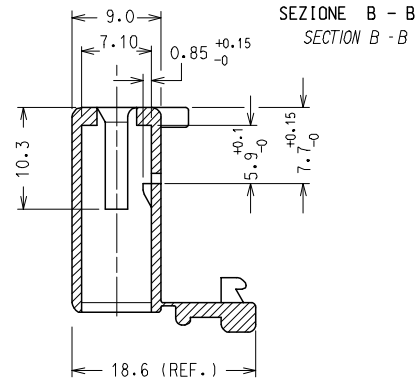
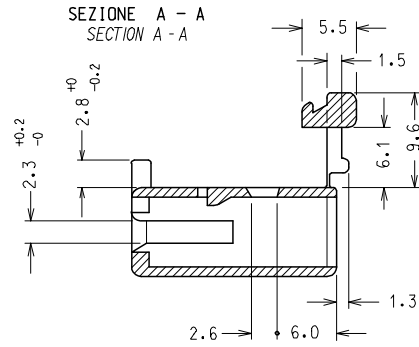
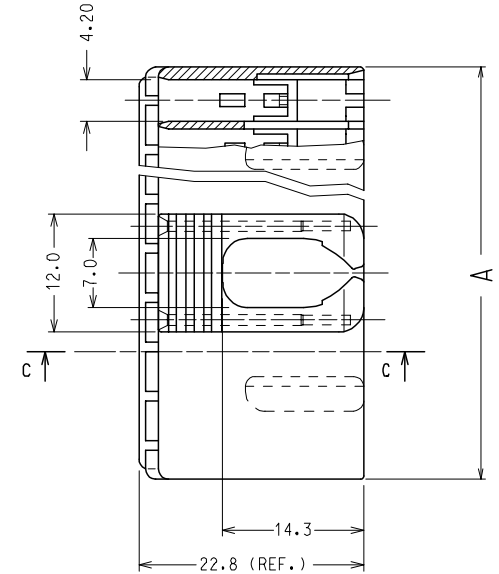
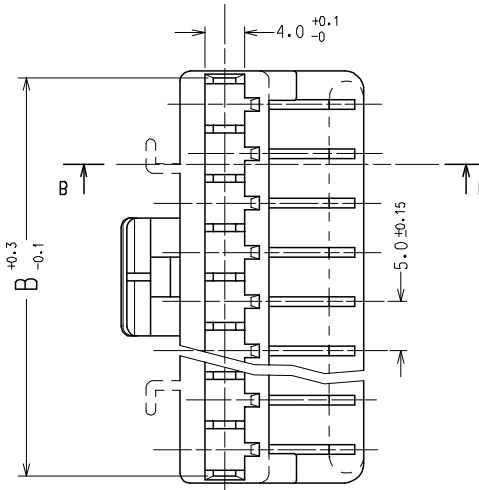
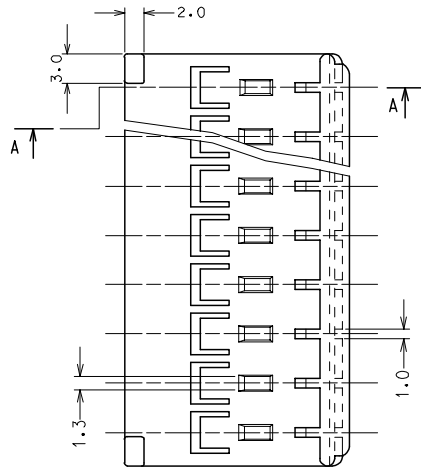
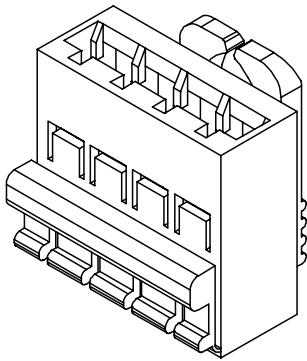


10 9 8 7 6 5 4 3 2 1



VISTA DELL'HOUSING
CON SECONDARY LOCK CHIUSO
VIEW OF THE HOUSING WITH
THE SEC. LOCK IN LOCKED POSITION



NOTE:

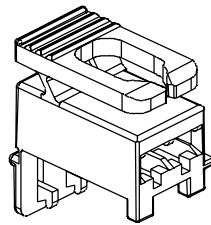
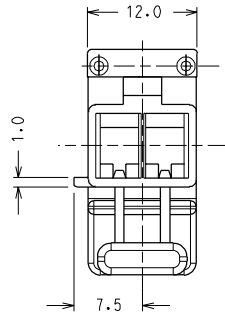
- 1) MATERIALE/ MATERIAL: PA 66 NATURALE/ PA 66 NATURAL COLOR
- 2) PER CODICI, POLARIZZAZIONI, MARCATURE E PACKAGING VEDERE FOGLI SEGUENTI FOR PART NOS, POLARIZATIONS, MARKINGS AND PACKAGING SEE THE FOLLOWING SHEETS
- 3) LE DIMENSIONI VANNO MISURATE CON CORPI STABILIZZATI SECONDO NG 2301 (AUMENTO IN PESO DEL 2.7 %) PARTS SHALL BE DIMENSIONALLY CHECKED AFTER ATTAINING EQUILIBRIUM CONDITIONS E.G. 2.7 % INCREASE IN WEIGHT FOR HUMIDITY ABSORPTION FROM DRY STATUS
- 4) CARATTERISTICHE SECONDO PS 94509 PRODUCT CHARACTERISTICS ACCORDING TO PS 94509 E
- 5) VEDERE FOGLIO 10/10 PER INFORMAZIONI SULLA CONFEZIONE SEE SHEET 10/10 FOR INFORMATION REGARDING THE PACKAGING

N.° VIE CKT.	2	3	4	5	6	7	8
A	11.8	16.8	21.8	26.8	31.8	36.8	41.8
B	10.4	15.4	20.4	25.4	30.4	35.4	40.4

EC NO: Z2005-0030 DRAWN: FGOTTARD 2004/09/23 CHKD: RSANDANO 2004/09/23 APPR: GZUIN 2004/09/23	QUALITY SYMBOLS ▽=0 ▽=0	GENERAL TOLERANCES (UNLESS SPECIFIED)		DIMENSION STYLE MM ONLY		SCALE 2:1	DESIGN UNITS METRIC	FIRST ANGLE PROJECTION		
		4 PLACES ± --- ± --- 3 PLACES ± --- ± --- 2 PLACES ± 0.1 ± --- 1 PLACE ± 0.2 ± ---		mm INCH		DRAWN BY SBARBIER	DATE 1995/12/20	TITLE HOUSING FOR STRAIGHT FORK TERMINAL (WITHOUT STEEL PINS)		
		ANGULAR ± 2 °		DRAFT WHERE APPLICABLE MUST REMAIN WITHIN DIMENSIONS		CHECKED BY	DATE	MOLEX INCORPORATED		
		APPROVED BY MPREVIAT		DATE 1995/12/20		MATERIAL NO.		DOCUMENT NO. SD-94509-009	SHEET NO. 1 OF 10	

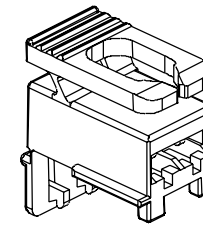
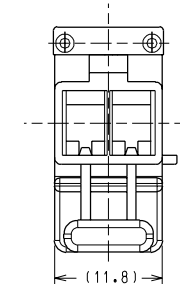
9 8 7 6 5 4 3 2 1

HOUSINGS A 2 VIE: / 2 CKT HOUSINGS:



POLARIZZAZIONE TIPO "A"
TYPE "A" POLARIZATION

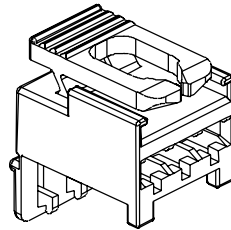
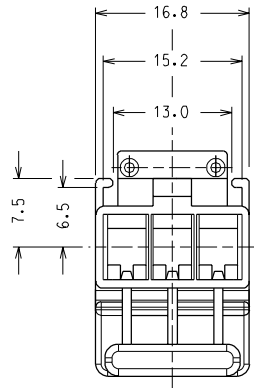
N.° VIE	CODICE HOUSING/TIPO POLARIZZAZIONE HOUSING P/N / POLARIZATION	
CKT No.	A	B
2	94509-5210	94509-5220



POLARIZZAZIONE TIPO "B"
TYPE "B" POLARIZATION

EC NO. Z9-139 DRWNS. BARBIERI 26-03-99 CHK: S. SORATO 29-03-99 APPR: R. MARTUCCI 29-03-99	QUALITY SYMBOLS MAJOR M = SIGNIF. S = CRITICAL C =	GENERAL TOLERANCES: (UNLESS SPECIFIED)		SCALE 2:1	DESIGN UNITS <input checked="" type="checkbox"/> mm <input type="checkbox"/> INCH	DIMENSIONS: <input type="checkbox"/> mm <input type="checkbox"/> INCH <input type="checkbox"/> mm <input checked="" type="checkbox"/> ONLY	SHT	REV
		4 PLACES ±0.1	±0.1	DRAWN BY & DATE S. BARBIERI 20-12-95	FIRST ANGLE PROJECTION			
B1	REV	3 PLACES ±0.2	±0.2	CHECKED BY & DATE	APPROVED BY & DATE M. PREVIATO 20-12-95	MATERIAL NO. SEE TABLES	DRAWING NO. SD-94509-009	SHEET NO. 2/10
		2 PLACES ±0.1	±0.1	ANGULAR: ± 2°	CAD FILENAME 94509009.S01			
DRAFT WHERE APPLICABLE MUST REMAIN WITHIN DIMENSIONS		THIS DRAWING CONTAINS INFORMATION THAT IS PROPRIETARY TO MOLEX INCORPORATED AND SHOULD NOT BE USED WITHOUT WRITTEN PERMISSION.						

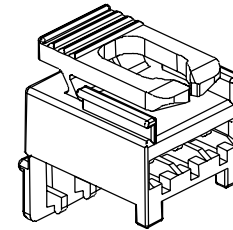
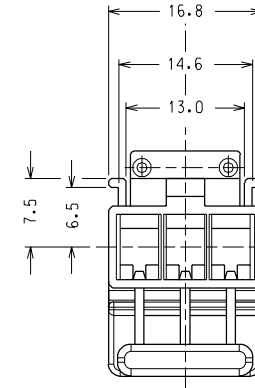
HOUSINGS A 3 VIE: / 3 CKT HOUSINGS:



POLARIZZAZIONE TIPO "A"
TYPE "A" POLARIZATION

N.° VIE	CODICE HOUSING/TIPO POLARIZZAZIONE HOUSING P/N / POLARIZATION	
	A	B
CKT No.	3	3
	94509-9310 *	94509-9320

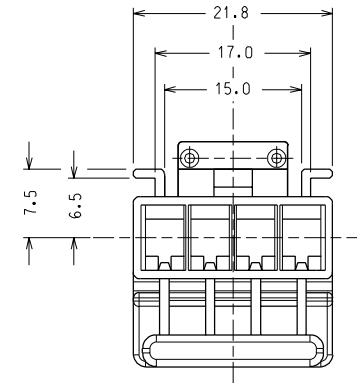
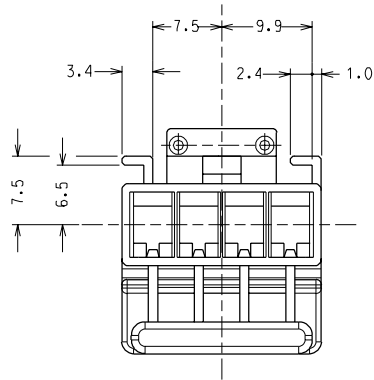
* VERSIONE NON ATTEZZATA
NOT TOOLED



POLARIZZAZIONE TIPO "B"
TYPE "B" POLARIZATION

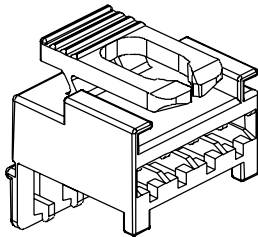
EC NO. Z9-139 DRWNS. BARBIERI 26-03-99 CHK: S. SORATO 29-03-99 APPR: R. MARTUCCI 29-03-99	QUALITY SYMBOLS MAJOR M = SIGNIF. S = CRITICAL C =	GENERAL TOLERANCES: (UNLESS SPECIFIED)		SCALE 2:1	DESIGN UNITS <input checked="" type="checkbox"/> mm <input type="checkbox"/> INCH	DIMENSIONS: <input type="checkbox"/> mm <input type="checkbox"/> INCH <input type="checkbox"/> mm <input checked="" type="checkbox"/> ONLY	SHT	REV
		4 PLACES ±0.1	±0.1	DRAWN BY & DATE S. BARBIERI 20-12-95	TITLE: HOUSING PER TERM. A FORCELLA DIRITTO (SENZA PINS IN ACCIAIO) HOUSING FOR STRAIGHT FORK TERMINAL (WITHOUT STEEL PINS)			
B1	REV	3 PLACES ±0.2	±0.2	CHECKED BY & DATE	MATERIAL NO. DRAWING NO. SHEET NO. SEE TABLES SD-94509-009 3/10			
		2 PLACES ±0.1	±0.1	APPROVED BY & DATE M. PREVIATO 20-12-95	THIS DRAWING CONTAINS INFORMATION THAT IS PROPRIETARY TO MOLEX INCORPORATED AND SHOULD NOT BE USED WITHOUT WRITTEN PERMISSION.			
		1 PLACE ±0.2	±0.2	CAD FILENAME 94509009.S02	SIZE A3			
		ANGULAR: ± 2°		DRAFT WHERE APPLICABLE MUST REMAIN WITHIN DIMENSIONS				

HOUSINGS A 4 VIE: / 4 CKT HOUSINGS:

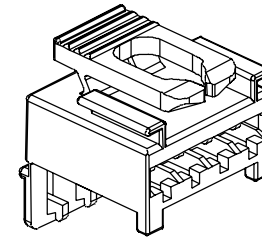


N.° VIE	CODICE HOUSING/TIPO POLARIZZAZIONE <i>HOUSING P/N / POLARIZATION</i>	
CKT No.	A	B
4	94509-9410 *	94509-9420

* VERSIONE NON ATTREZZATA
NOT TOOLED



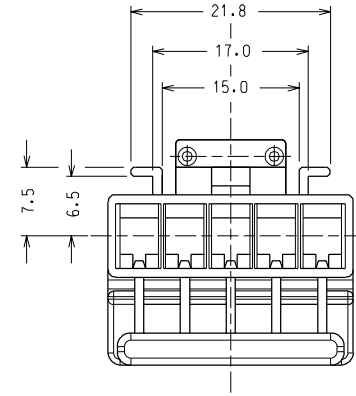
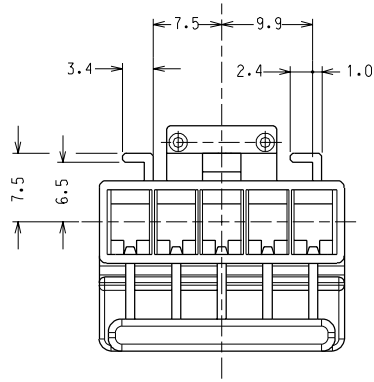
POLARIZZAZIONE TIPO "A"
TYPE "A" POLARIZATION



POLARIZZAZIONE TIPO "B"
TYPE "B" POLARIZATION

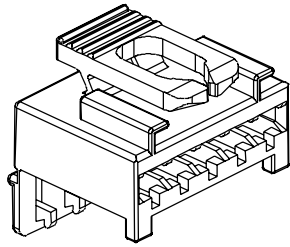
EC NO. Z9-139 DRWNS. BARBIERI 26-03-99 CHK: S. SORATO 29-03-99 APPR: R. MARTUCCI 29-03-99	QUALITY SYMBOLS MAJOR M = SIGNIF. S = CRITICAL C =	GENERAL TOLERANCES: (UNLESS SPECIFIED)		SCALE 2:1	DESIGN UNITS <input checked="" type="checkbox"/> mm <input type="checkbox"/> INCH	DIMENSIONS: <input type="checkbox"/> mm <input type="checkbox"/> INCH <input type="checkbox"/> mm <input checked="" type="checkbox"/> ONLY	SHT	REV
		4 PLACES ±0.1	±0.2	DRAWN BY & DATE S. BARBIERI 20-12-95	TITLE: HOUSING PER TERM. A FORCELLA DIRITTO (SENZA PINS IN ACCIAIO) HOUSING FOR STRAIGHT FORK TERMINAL (WITHOUT STEEL PINS)			
B1	REV	3 PLACES ±0.1	±0.2	CHECKED BY & DATE	MATERIAL NO. DRAWING NO. SHEET NO. SEE TABLES SD-94509-009 4/10			
		2 PLACES ±0.1	±0.2	APPROVED BY & DATE M. PREVIATO 20-12-95	THIS DRAWING CONTAINS INFORMATION THAT IS PROPRIETARY TO MOLEX INCORPORATED AND SHOULD NOT BE USED WITHOUT WRITTEN PERMISSION.			
		1 PLACE ±0.2	±0.2	CAD FILENAME 94509009.S03	SIZE A3			
		ANGULAR: ± 2°		DRAFT WHERE APPLICABLE MUST REMAIN WITHIN DIMENSIONS				

HOUSINGS A 5 VIE: / 5 CKT HOUSINGS:

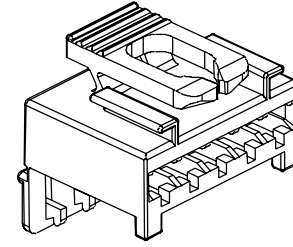


N.° VIE	CODICE HOUSING/TIPO POLARIZZAZIONE	
CKT No.	HOUSING P/N / POLARIZATION	
	A	B
5	94509-9510 *	94509-9520

* VERSIONE NON ATTREZZATA
NOT TOOLED



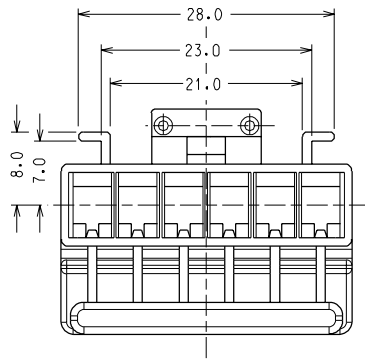
POLARIZZAZIONE TIPO "A"
TYPE "A" POLARIZATION



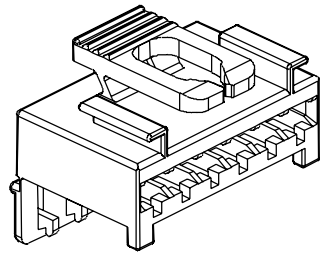
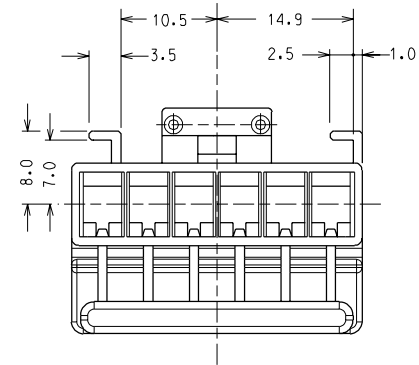
POLARIZZAZIONE TIPO "B"
TYPE "B" POLARIZATION

EC NO. Z9-139 DRWNS. BARBIERI 26-03-99 CHK: S. SORATO 29-03-99 APPR: R. MARTUCCI 29-03-99	QUALITY SYMBOLS MAJOR M = SIGNIF. S = CRITICAL C =	GENERAL TOLERANCES: (UNLESS SPECIFIED)		SCALE 2:1	DESIGN UNITS <input checked="" type="checkbox"/> mm <input type="checkbox"/> INCH	DIMENSIONS: <input type="checkbox"/> mm <input type="checkbox"/> INCH <input type="checkbox"/> mm <input checked="" type="checkbox"/> ONLY	SHT	REV
		4 PLACES ±0.	±	DRAWN BY & DATE S. BARBIERI 23-01-91	TITLE: HOUSING PER TERM. A FORCELLA DIRITTO (SENZA PINS IN ACCIAIO) HOUSING FOR STRAIGHT FORK TERMINAL (WITHOUT STEEL PINS)			
B1	REV	3 PLACES ±0.	±	CHECKED BY & DATE	APPROVED BY & DATE M. PREVIATO 24-01-91			
		2 PLACES ±0.1	±	CAD FILENAME 94509009.S04	MATERIAL NO. DRAWING NO. SHEET NO. SEE TABLES SD-94509-009 5/10			
		1 PLACE ±0.2	±	ANGULAR: ± 2°		THIS DRAWING CONTAINS INFORMATION THAT IS PROPRIETARY TO MOLEX INCORPORATED AND SHOULD NOT BE USED WITHOUT WRITTEN PERMISSION.		
		DRAFT WHERE APPLICABLE MUST REMAIN WITHIN DIMENSIONS						SIZE A3

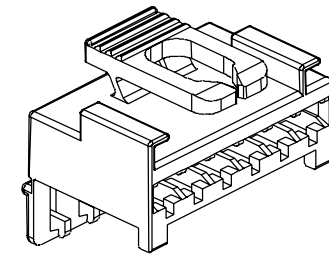
HOUSINGS A 6 VIE: / 6 CKT HOUSINGS:



N.° VIE	CODICE HOUSING/TIPO POLARIZZAZIONE <i>HOUSING P/N / POLARIZATION</i>	
CKT No.	A	B
6	94509-9610	94509-9620



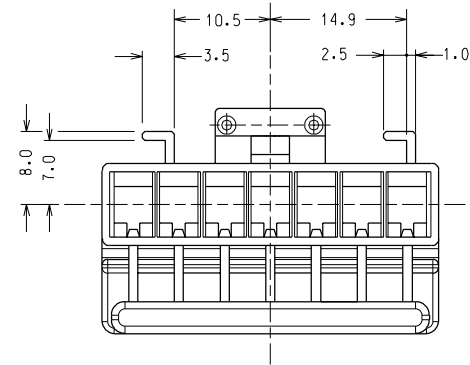
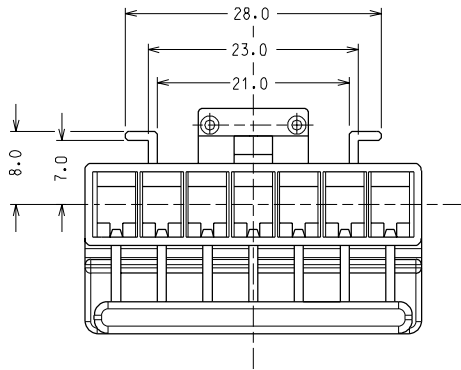
POLARIZZAZIONE TIPO "A"
TYPE "A" POLARIZATION



POLARIZZAZIONE TIPO "B"
TYPE "B" POLARIZATION

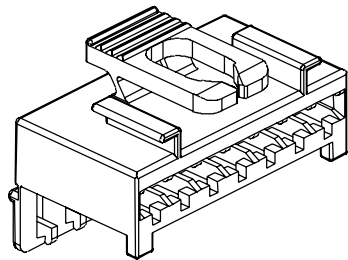
EC NO. Z9-139 DRWNS. BARBIERI 26-03-99 CHK: S. SORATO 29-03-99 APPR: R. MARTUCCI 29-03-99	QUALITY SYMBOLS MAJOR M = SIGNIF. S = CRITICAL C =	GENERAL TOLERANCES: (UNLESS SPECIFIED)		SCALE 2:1	DESIGN UNITS <input checked="" type="checkbox"/> mm <input type="checkbox"/> INCH	DIMENSIONS: <input type="checkbox"/> mm <input type="checkbox"/> INCH <input checked="" type="checkbox"/> mm ONLY	SHT	REV
		4 PLACES ±0.1	±0.1	DRAWN BY & DATE S. BARBIERI 20-12-95	TITLE: HOUSING PER TERM. A FORCELLA DIRITTO (SENZA PINS IN ACCIAIO) HOUSING FOR STRAIGHT FORK TERMINAL (WITHOUT STEEL PINS)			
B1	REV	3 PLACES ±0.2	±0.2	CHECKED BY & DATE	APPROVED BY & DATE M. PREVIATO 20-12-95			
		2 PLACES ±0.1	±0.1	MATERIAL NO. SEE TABLES		DRAWING NO. SD-94509-009		SHEET NO. 6/10
		1 PLACE ±0.2	±0.2	CAD FILENAME 94509009.S05	THIS DRAWING CONTAINS INFORMATION THAT IS PROPRIETARY TO MOLEX INCORPORATED AND SHOULD NOT BE USED WITHOUT WRITTEN PERMISSION.			
		ANGULAR: ± 2°		DRAFT WHERE APPLICABLE MUST REMAIN WITHIN DIMENSIONS				SIZE A3

HOUSINGS A 7 VIE: / 7 CKT HOUSINGS:

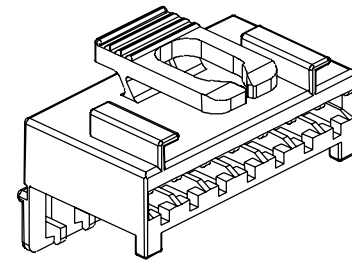


N.° VIE	CODICE HOUSING/TIPO POLARIZZAZIONE HOUSING P/N / POLARIZATION	
CKT No.	A	B
7	94509-9710 *	94509-9720 *

* VERSIONE NON ATTREZZATA
NOT TOOLED



POLARIZZAZIONE TIPO "A"
TYPE "A" POLARIZATION



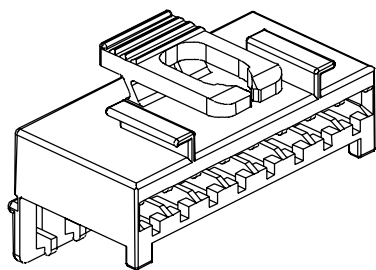
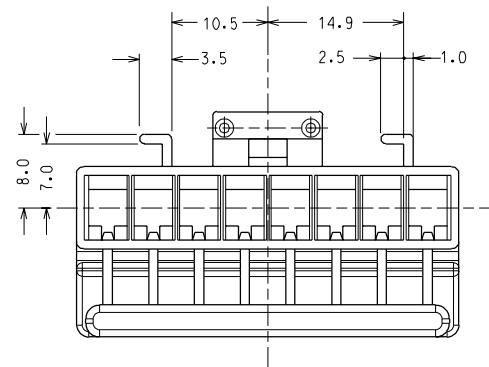
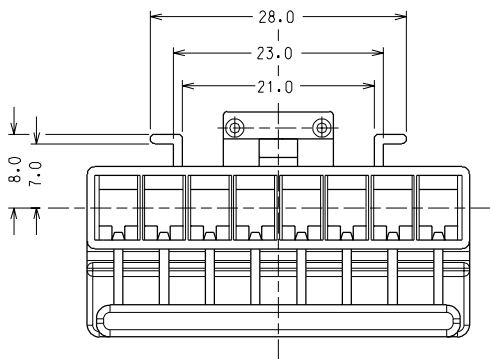
POLARIZZAZIONE TIPO "B"
TYPE "B" POLARIZATION

EC NO. Z9-139 DRWNS. BARBIERI 26-03-99 CHK: S. SORATO 29-03-99 APPR: R. MARTUCCI 29-03-99	QUALITY SYMBOLS MAJOR M = SIGNIF. S = CRITICAL C =	GENERAL TOLERANCES: (UNLESS SPECIFIED)		SCALE 2:1	DESIGN UNITS <input checked="" type="checkbox"/> mm <input type="checkbox"/> INCH	DIMENSIONS: <input type="checkbox"/> mm <input type="checkbox"/> INCH <input checked="" type="checkbox"/> mm ONLY	SHT	REV
		4 PLACES ±0.1	±0.2	DRAWN BY & DATE S. BARBIERI 20-12-95	FIRST ANGLE PROJECTION	TITLE: HOUSING PER TERM. A FORCELLA DIRITTO (SENZA PINS IN ACCIAIO) HOUSING FOR STRAIGHT FORK TERMINAL (WITHOUT STEEL PINS)	REVISION ON CAD ONLY	
B1	REV	3 PLACES ±0.2	±0.2	CHECKED BY & DATE	APPROVED BY & DATE M. PREVIATO 20-12-95	MATERIAL NO. SEE TABLES	DRAWING NO. SD-94509-009	SHEET NO. 7/10
		2 PLACES ±0.1	±0.2	ANGULAR: ± 2°	CAD FILENAME 94509009.S06			
DRAFT WHERE APPLICABLE MUST REMAIN WITHIN DIMENSIONS		THIS DRAWING CONTAINS INFORMATION THAT IS PROPRIETARY TO MOLEX INCORPORATED AND SHOULD NOT BE USED WITHOUT WRITTEN PERMISSION.		MOLEX INCORPORATED		SIZE A3		

HOUSINGS A 8 VIE: / 8 CKT HOUSINGS:

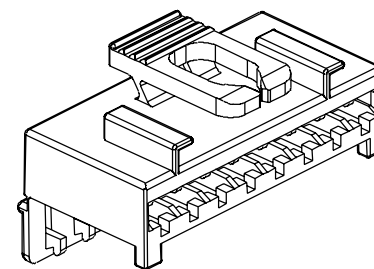
(VEDERE ANCHE FOGLIO SEGUENTE)

(SEE ALSO THE FOLLOWING SHEET)



POLARIZZAZIONE TIPO "A"
TYPE "A" POLARIZATION

N.° VIE	CODICE HOUSING/TIPO POLARIZZAZIONE	
CKT No.	HOUSING P/N / POLARIZATION	
	A	B
8	94509-9810	94509-9820



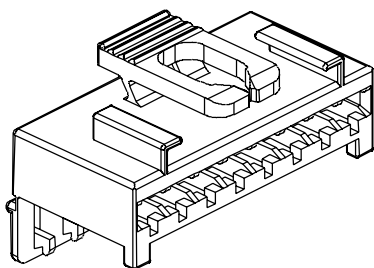
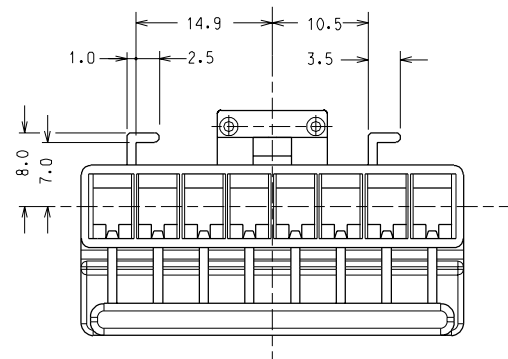
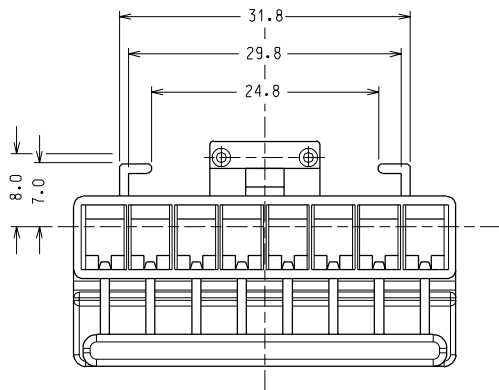
POLARIZZAZIONE TIPO "B"
TYPE "B" POLARIZATION

EC NO. Z9-139 DRWNS. BARBIERI 26-03-99 CHK: S. SORATO 29-03-99 APPR: M. MARTUCCI 29-03-99	QUALITY SYMBOLS MAJOR M SIGNIF. S CRITICAL C	GENERAL TOLERANCES: (UNLESS SPECIFIED)		SCALE 2:1	DESIGN UNITS <input checked="" type="checkbox"/> mm <input type="checkbox"/> INCH	DIMENSIONS: <input type="checkbox"/> mm <input type="checkbox"/> INCH <input checked="" type="checkbox"/> mm ONLY	SHT	REV
		4 PLACES ±0.1	±0.2	DRAWN BY & DATE S. BARBIERI 20-12-95	TITLE: HOUSING PER TERM. A FORCELLA DIRITTO (SENZA PINS IN ACCIAIO) HOUSING FOR STRAIGHT FORK TERMINAL (WITHOUT STEEL PINS)			
B1	REV	3 PLACES ±0.1	±0.2	CHECKED BY & DATE	APPROVED BY & DATE M. PREVIATO 20-12-95	MATERIAL NO. SEE TABLES	DRAWING NO. SD-94509-009	SHEET NO. 8/10
		2 PLACES ±0.1	±0.2	ANGULAR: ± 2°	CAD FILENAME 94509009.S07			
		1 PLACE ±0.2	±0.2	DRAFT WHERE APPLICABLE MUST REMAIN WITHIN DIMENSIONS		THIS DRAWING CONTAINS INFORMATION THAT IS PROPRIETARY TO MOLEX INCORPORATED AND SHOULD NOT BE USED WITHOUT WRITTEN PERMISSION.		

HOUSINGS A 8 VIE: / 8 CKT HOUSINGS:

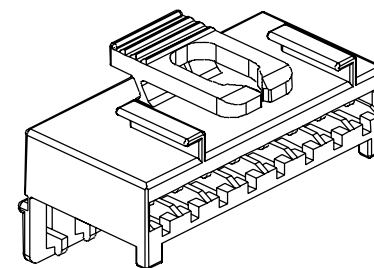
(VEDERE ANCHE FOGLIO PRECEDENTE)

(SEE ALSO THE PREVIOUS SHEET)



POLARIZZAZIONE TIPO "C"
TYPE "C" POLARIZATION

N.° VIE	CODICE HOUSING/TIPO POLARIZZAZIONE	
CKT No.	HOUSING P/N / POLARIZATION	
	C	D
8	94509-9830	94509-9840




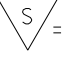

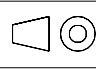
POLARIZZAZIONE TIPO "D"
TYPE "D" POLARIZATION

EC NO. Z9-139 DRWNS. BARBIERI 26-03-99 CHK: S. SORATO 29-03-99 APPR: M. MARTUCCI 29-03-99	QUALITY SYMBOLS MAJOR M SIGNIF. S CRITICAL C	GENERAL TOLERANCES: (UNLESS SPECIFIED)	SCALE	DESIGN UNITS	DIMENSIONS: <input type="checkbox"/> mm <input type="checkbox"/> INCH <input checked="" type="checkbox"/> mm ONLY	SHT	REV
			2:1	<input checked="" type="checkbox"/> mm <input type="checkbox"/> INCH			
B1	DESCRIPTION	4 PLACES ±0.1	DRAWN BY & DATE	TITLE: HOUSING PER TERM. A FORCELLA DIRITTO (SENZA PINS IN ACCIAIO) HOUSING FOR STRAIGHT FORK TERMINAL (WITHOUT STEEL PINS)			
		3 PLACES ±0.2	S. BARBIERI 20-12-95				
		2 PLACES ±0.1	CHECKED BY & DATE	MATERIAL NO. DRAWING NO. SHEET NO. SEE TABLES SD-94509-009 9/10			
		1 PLACE ±0.2	APPROVED BY & DATE				
		ANGULAR: ± 2°	M. PREVIATO 20-12-95	MOLEX INCORPORATED			
		DRAFT WHERE APPLICABLE MUST REMAIN WITHIN DIMENSIONS	CAD FILENAME				
			94509009.S08	THIS DRAWING CONTAINS INFORMATION THAT IS PROPRIETARY TO MOLEX INCORPORATED AND SHOULD NOT BE USED WITHOUT WRITTEN PERMISSION.			

CONFEZIONE - PACKAGING

I PEZZI SONO CONFEZIONATI IN SACCHETTI DI PLASTICA POSTI IN SCATOLE DI CARTONE
 PARTS ARE PACKED IN PLASTIC BAGS PUT IN CARTON BOXES

CKT No.	HOUSING P/N - POLARIZATION				STD PACK. QUANTITY
	A	B	C	D	
2	94509-5210	94509-5220			7500
3	94509-9310	94509-9320			5500
4	94509-9410	94509-9420			3000
5	94509-9510	94509-9520			3300
6	94509-9610	94509-9620			2800
7	94509-9710	94509-9720			1500
8	94509-9810	94509-9820	94509-9830	94509-9840	2000

EC NO. SEE SHT 1 DRWN: CHK: APPR:	DESCRIPTION MAJOR  M = SIGNIF.  S = CRITICAL  C =	GENERAL TOLERANCES: (UNLESS SPECIFIED)		SCALE 2:1	DESIGN UNITS <input checked="" type="checkbox"/> mm <input type="checkbox"/> INCH	DIMENSIONS: <input type="checkbox"/> mm <input type="checkbox"/> INCH <input checked="" type="checkbox"/> mm ONLY	SHT REV	
		4 PLACES ±0. ±.		DRAWN BY & DATE S. BARBIERI 26-03-99	FIRST ANGLE PROJECTION 			TITLE: HOUSING PER TERM. A FORCELLA DIRITTO (SENZA PINS IN ACCIAIO) HOUSING FOR STRAIGHT FORK TERMINAL (WITHOUT STEEL PINS)
		3 PLACES ±0. ±.		CHECKED BY & DATE S. SORATO 29-03-99	MOLEX INCORPORATED			
		2 PLACES ±0.1 ±.		APPROVED BY & DATE R. MARTUCCI 29-03-99	CAD FILENAME 94509009.S09		MATERIAL NO. SEE TABLES	DRAWING NO. SD-94509-009
1 PLACE ±0.2 ±.		ANGULAR: ± 2°		THIS DRAWING CONTAINS INFORMATION THAT IS PROPRIETARY TO MOLEX INCORPORATED AND SHOULD NOT BE USED WITHOUT WRITTEN PERMISSION.			SIZE A3	

