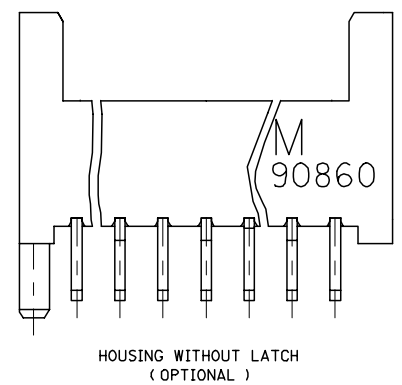
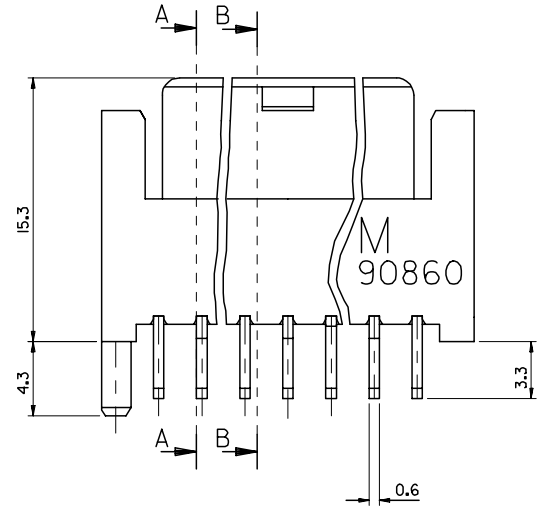
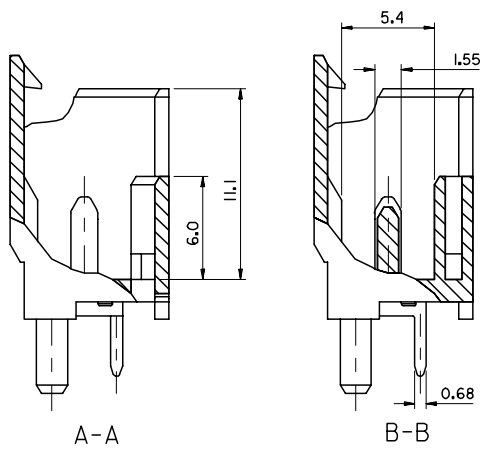
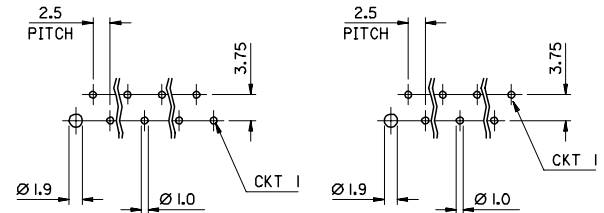
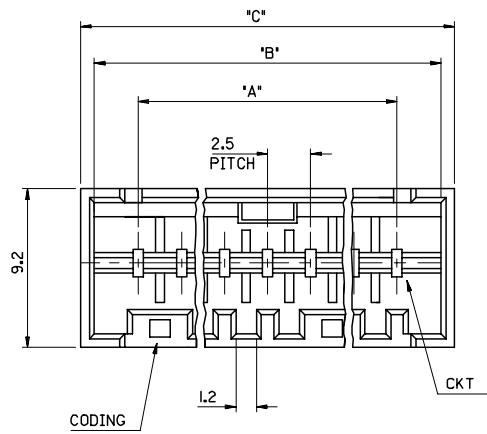


Ckt#	A	B	C
3	5.0	10.1	11.7
4	7.5	12.6	14.2
5	10.0	15.1	16.7
6	12.5	17.6	19.2
7	15.0	20.1	21.7
8	17.5	22.6	24.2
9	20.0	25.1	26.7
10	22.5	27.6	29.2
11	25.0	30.1	31.7
12	27.5	32.6	34.2
13	30.0	35.1	36.7
14	32.5	37.6	39.2
15	35.0	40.1	41.7
16	37.5	42.6	44.2
17	40.0	45.1	46.7
18	42.5	47.6	49.2
19	45.0	50.1	51.7
20	47.5	52.6	54.2



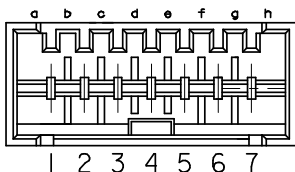
- NOTES :
- MATERIAL : HOUSING- POLYESTER (PBT), UL94 V-0  
COLOR: SEE PART NO. CHARTS FOR COLOR  
TERMINAL- BRASS
  - PLATING: TERMINAL - 5um TIN, OVER 2.5um NICKLE
  - PARTS PACKED AS PER ES-99039-0011
  - PRODUCT SPECIFICATION PS-99020-0040
  - RECOMMENDED PCB THICKNESS: 1.54mm

Note 5 Added EC NO: E2008-0068 DRAWN: GRADY 2007/08/24 CHKD: 2007/08/24 APPR: EGMADHONY 2007/08/24 REV:	QUALITY SYMBOLS	GENERAL TOLERANCES (UNLESS SPECIFIED)	DIMENSION STYLE	SCALE	DESIGN UNITS	THIRD ANGLE PROJECTION
	▽ = ▽ =	4 PLACES ± --- ± --- 3 PLACES ± --- ± --- 2 PLACES ± 0.05 ± --- 1 PLACE ± 0.10 ± --- ANGULAR ± 1/2°	IN/MM	5:1	INCH	
		DRAFT WHERE APPLICABLE MUST REMAIN WITHIN DIMENSIONS	DRAWN BY: EF DATE: 97/04/07 CHECKED BY: _____ DATE: _____ APPROVED BY: _____ DATE: _____	TITLE: RAST 2.5 VERTICAL MALE HEADER 2.5 PITCH MOLEX INCORPORATED		
			MATERIAL NO.: SEE CHART DOCUMENT NO.: SDA-90860 SHEET NO.: 1 OF 1			

5	B
4	B
3	C
2	A
1	D

MOLEX PART NO	CIRCUIT SIZE	COLOUR	BLOCKED POSITION KEYS	CONFIGURATION	REF	WITH LATCH	CONTACT PITCH
90860-0002	2	NATURAL	b d		K34	YES	5.0
90860-0003	2	NATURAL	a c		K35	YES	5.0
90860-0004	2	NATURAL	a d		K36	YES	5.0

MOLEX PART NO	CIRCUIT SIZE	COLOUR	BLOCKED POSITION KEYS	CONFIGURATION	REF	WITH LATCH	CONTACT PITCH
90860-0001	3	NATURAL	NONE		K00	YES	2.5
90860-0005	3	NATURAL	a		K30	YES	2.5
90860-0006 90860-0007	3	NATURAL RED	b		K31	YES	2.5
90860-0008 90860-0009	3	NATURAL BLUE	c		K32	YES	2.5
90860-0010	3	GREEN	d		K33	YES	2.5
90860-0023	3	NATURAL	NONE		K00	YES	5.0
90860-0011	3	NATURAL	b, d		K34	YES	2.5
90860-0016	3	NATURAL	d		K33	YES	2.5



CODING IDENTIFICATION  
(7 CKT EXAMPLE SHOWN)  
VIEW IN MATING DIRECTION

+ DENOTES VOIDED CIRCUIT  
⊕ DENOTES LOADED CIRCUIT

MOLEX PART NO	CIRCUIT SIZE	COLOUR	BLOCKED POSITION KEYS	TERMINAL VOID POSITION	CONFIGURATION	REF	WITH LATCH	CONTACT PITCH
90860-0501	4	NATURAL	NONE	NONE		K00	YES	2.5
90860-0012	4	NATURAL	b c	NONE		K30	YES	2.5
90860-0013	4	NATURAL	a d	NONE		K32	YES	2.5
90860-0014	4	NATURAL	a	NONE		K30	YES	5.0
90860-0015	4	NATURAL	b	NONE		K31	YES	5.0
90860-0505	4	NATURAL	b c	4		K30 P90	YES	2.5

MOLEX PART NO	CIRCUIT SIZE	COLOUR	BLOCKED POSITION KEYS	CONFIGURATION	REF	WITH LATCH	CONTACT PITCH
90860-1001	5	NATURAL	NONE		K00	YES	2.5
90860-0017	5	NATURAL	a d		K30	YES	2.5
90860-0018	5	NATURAL	d f		K31	YES	2.5
90860-0019	5	NATURAL	a d f		K32	YES	2.5
90860-0020	5	NATURAL	f		K33	YES	2.5
90860-0021	5	NATURAL	a		K34	YES	2.5
90860-0022	5	NATURAL	b		K35	YES	2.5

<b>NEW PART NUMBERS</b> EC NO: E2008-0355 DRAWN: TOUR SH CHKD: BMAGUIRE APPR: BMAGUIRE	QUALITY SYMBOLS ▽=0 ▽=0	GENERAL TOLERANCES (UNLESS SPECIFIED) mm INCH		DIMENSION STYLE IN/MM	SCALE 1:1	DESIGN UNITS INCH	THIRD ANGLE PROJECTION
		4 PLACES ± --- ± --- 3 PLACES ± --- ± --- 2 PLACES ± 0.05 ± --- 1 PLACE ± 0.1 ± ---	DRAWN BY EF	DATE 97/04/08	TITLE RAST 2.5 VERTICAL MALE HEADER		
		ANGULAR ±1/2°	CHECKED BY DATE	APPROVED BY DATE	MATERIAL NO. SEE CHARTS		
		DRAFT WHERE APPLICABLE MUST REMAIN WITHIN DIMENSIONS	DOCUMENT NO. SDA-90860		MOLEX INCORPORATED SHEET NO. 3 OF 5		

THIS DRAWING CONTAINS INFORMATION THAT IS PROPRIETARY TO MOLEX INCORPORATED AND SHOULD NOT BE USED WITHOUT WRITTEN PERMISSION