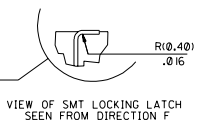
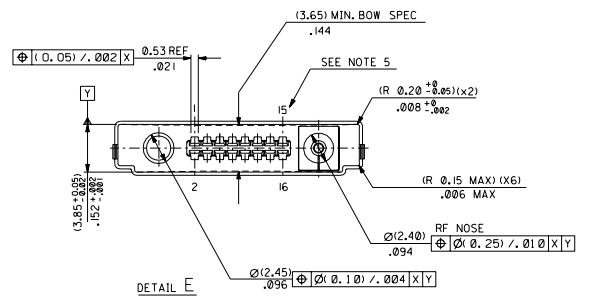


COMPONENT	PCB PAD DIMENSION	QTY
LOCKING LATCHES	(2.60)/.102 x (4.65)/.183	$\Phi$ (0.10) / .004 R (x2)
SIGNAL CONTACTS	(0.35 +/- 0.05) / .044 +/- .002 x (2.0) / .008	$\Phi$ (0.10) / .004 R (x16)
OUTER CO-AX CONDUCTOR	(1.30) / .051 x (2.2) / .087	$\Phi$ (0.10) / .004 R (x2)
SMT RETENTION PADS	(2.50) / .098 x (5.0) / .197	$\Phi$ (0.10) / .004 R (x2)
CENTRE CO-AX CONDUCTOR	(0.90) / .035 x (2.2) / .087	$\Phi$ (0.10) / .004 R (x1)

- NOTES:**
- MATERIALS:  
HOUSING: NYLON 46 50% GLASS FILLED COLOUR BLACK  
SMT RETENTION PADS: PHOSPHOR BRONZE (0.30)/.012 REF. THICK. PLATING: (3-5um) / .18-.197um IN. TIN. OVER (1.27um) / .050um NICKEL.  
LOCKING LATCHES: PHOSPHOR BRONZE (0.30)/.012 REF. THICK. PLATING: (3-5um) / .18-.197um IN. TIN. OVER (1.27um) / .050 NICKEL.  
SIGNAL CONTACTS: PHOSPHOR BRONZE (0.20) / .008 REF. THICK. PLATING: (1.27um) / .050um MIN. NICKEL UNDERCOAT OVERALL. GOLD FLASH (0.1um) / .004um MIN. OVER PALLADIUM NICKEL (1.0um) / .039um MIN. IN CONTACT AREA. (3.0um) / .118um MIN. TIN ON TAIL SECTION.
  - MATES WITH 90B15 SERIES PLUG CONNECTOR, 90B12 SERIES CRADLE CONNECTOR.
  - SEE PRODUCT SPECIFICATION PS 99020-0033.
  - RF CONNECTOR PART NUMBER 90B54-0003.
  - POWER CONTACTS TO BE ON CIRCUITS 1,2,15,16.
  - ALL SMT TAILS TO LIE WITHIN A COPLANARITY BAND OF (0.0) +/- 0.10 IN. (0.10) MAX. FROM EACH OTHER AND BELOW HOUSING BASE.
  - COMPONENTS PACKAGED IN TRAYS P/No.99025-0018. 52 COMPONENTS PER TRAY, 14 FULL TRAYS PER BOX, 728 COMPONENTS PER BOX.
  - PRODUCT I.D. MARK \*\* HOT STAMPED IN (1.5) / .06 HIGH TEXT. WEEK No. SALES DRAWING REVISION
  - HEAT STAKE PEGS ARE NOT TO BE USING FOR PCB LOCATION.



REMOVE LEAD FROM PLATING EC. NO. 92884-8574 DRWG. DEPARTN. 27/02/03 CHK. APPR.	QUALITY SYMBOLS MAJOR CRITICAL	GENERAL TOLERANCES: (UNLESS SPECIFIED):		SCALE 5:1 DESIGN UNITS mm INCH	DIMENSIONS: <input type="checkbox"/> mm <input type="checkbox"/> INCH <input type="checkbox"/> mm ONLY	SHT REV REVISE ON CAD ONLY	
		4 PLACES +/- .02 ± .002 3 PLACES +/- .02 ± .002 2 PLACES +/- .05 ± .004 1 PLACE +/- .10 ± .	mm INCH ±0. ±. ±0.05 ±.004 ±0.10 ±.	DRAWN BY & DATE GP 93/06/25 CHECKED BY & DATE APPROVED BY & DATE	THIRD ANGLE PROJECTION	TITLE: RECEPTACLE I/O CONNECTOR FOR MOBILE PHONE HANDSET	SHEET NO. 1 OF 1
		ANGLAR: ± 1/2 °		CAD FILENAME MATERIAL NO. 90B11-0001 DRAWING NO. SDA-90B11-0001	MOLEX INCORPORATED	SIZE D	
DRAFT WHERE APPLICABLE MUST REMAIN WITHIN DIMENSIONS			THIS DRAWING CONTAINS INFORMATION THAT IS PROPRIETARY TO MOLEX INCORPORATED AND SHOULD NOT BE USED WITHOUT WRITTEN PERMISSION.				