

MATERIALS AND FINISHES

NOTE: PACKAGING BY PLASTIC BAG

MCX PLUG CONNECTOR:
SEE SD-73366-002

BODY: ZINC ALLOY
PLATED NICKEL

CENTER CONTACT: BRASS
PLATED GOLD

OUTER CONTACT: BERYLLIUM COPPER
PLATED GOLD

FERRULE: BRASS
PLATED NICKEL

INSULATOR: PTFE

HEAT SHRINK TUBE: VERSAFIT BLACK

CABLE : RG316/U OR EQUIVALENT

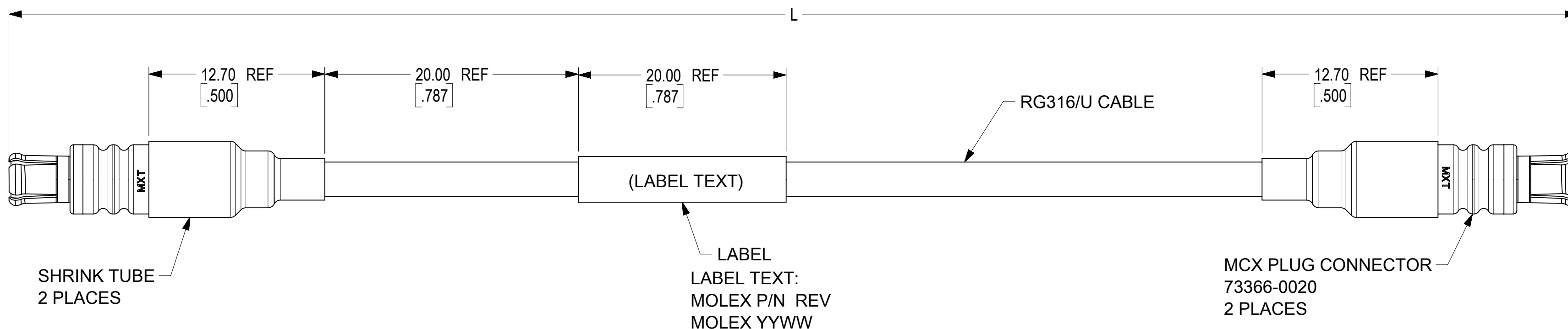
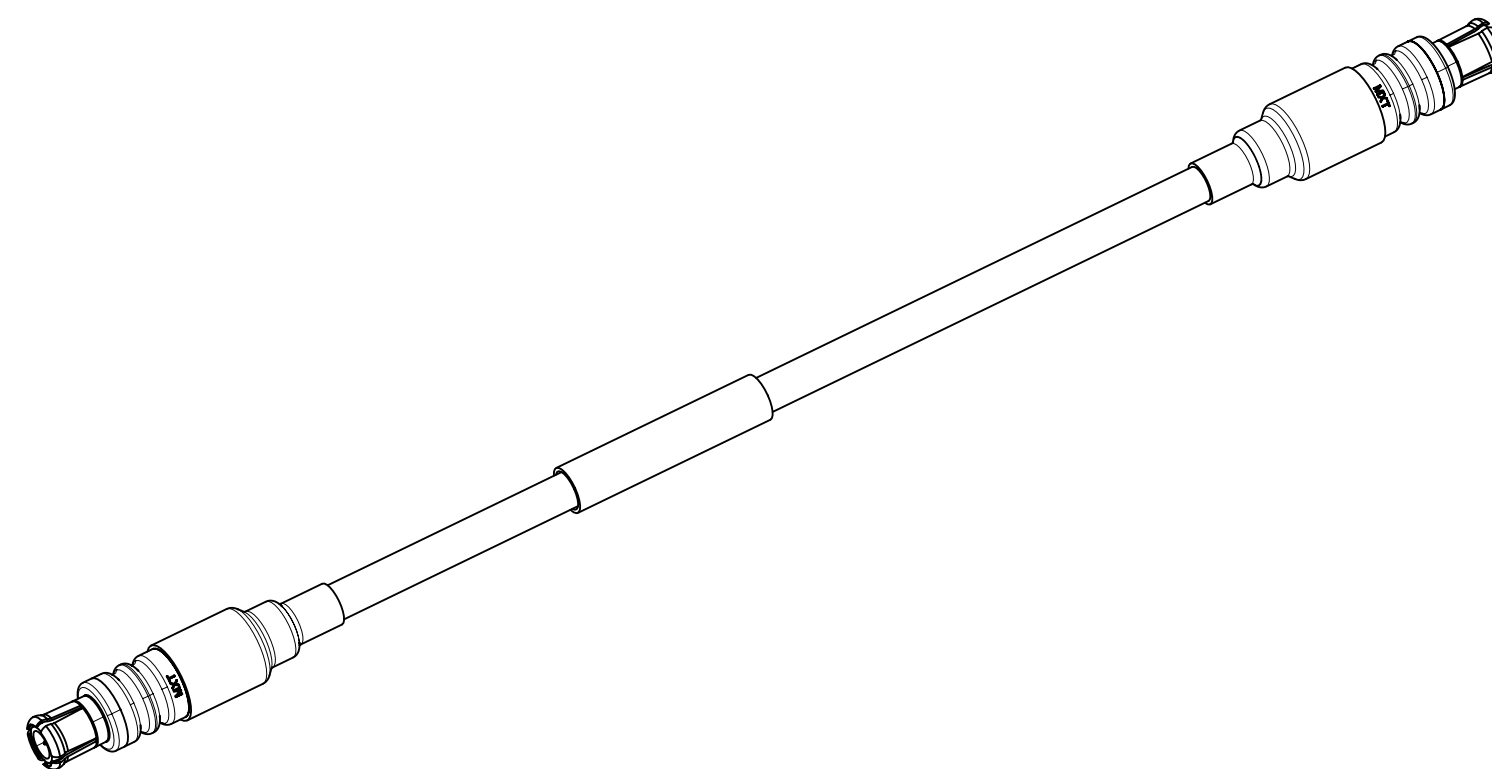


TABLE 1:

CECC-22220	MCX INTERFACE
SPECIFICATION	DESCRIPTION

TABLE 2:

73230-5345	48.000±.787	1219.20±20.00
73230-5344	36.000±.394	914.40±10.00
73230-5343	24.000±.394	609.60±10.00
73230-5342	18.000±.394	457.20±10.00
73230-5341	12.000±.394	304.80±10.00
73230-5340	6.000±.394	152.40±10.00
PART NO.	IN	MM
	L	

FUNCTIONAL SYMBOLS $\nabla_A = 0$ $\nabla_C = 0$ $\nabla_P = 0$ DIVISIONAL SYMBOLS 4 PLACES ± 3 PLACES ± 2 PLACES ± 1 PLACE ± 0 PLACES ±	THIS DRAWING CONTAINS INFORMATION THAT IS PROPRIETARY TO MOLEX ELECTRONIC TECHNOLOGIES, LLC AND SHOULD NOT BE USED WITHOUT WRITTEN PERMISSION		CURRENT REV DESC:		CA,MCX PLUG WITH RG316/U CABLE,50 OHMS EWR#: 14552-A
	DIMENSION UNITS	SCALE	EC NO: 675788		
	MM/INCH	4:1	DRWN: YHUANG11	2021/06/10	
	GENERAL TOLERANCES (UNLESS SPECIFIED)		CHK'D: WANGR2	2021/09/03	
ANGULAR TOL ± °		APPR: LCHEN03	2021/09/06	PRODUCT CUSTOMER DRAWING	
DRAFT WHERE APPLICABLE MUST REMAIN WITHIN DIMENSIONS		THIRD ANGLE PROJECTION	DRAWING	SERIES	DOCUMENT NUMBER
			C-SIZE	73230	732305340
					DOC TYPE
					PSD
					DOC PART
					000
					REVISION
					A
					SHEET NUMBER
					1 OF 1

DOCUMENT STATUS	P1	RELEASE DATE	2021/09/06	05:04:40
-----------------	----	--------------	------------	----------