

MATERIALS AND FINISHES

BODY, COVER: BRASS
PLATED TRI-M

CONTACT: BRASS
PLATED SILVER

COUPLING NUT: BRASS
PLATED NICKEL

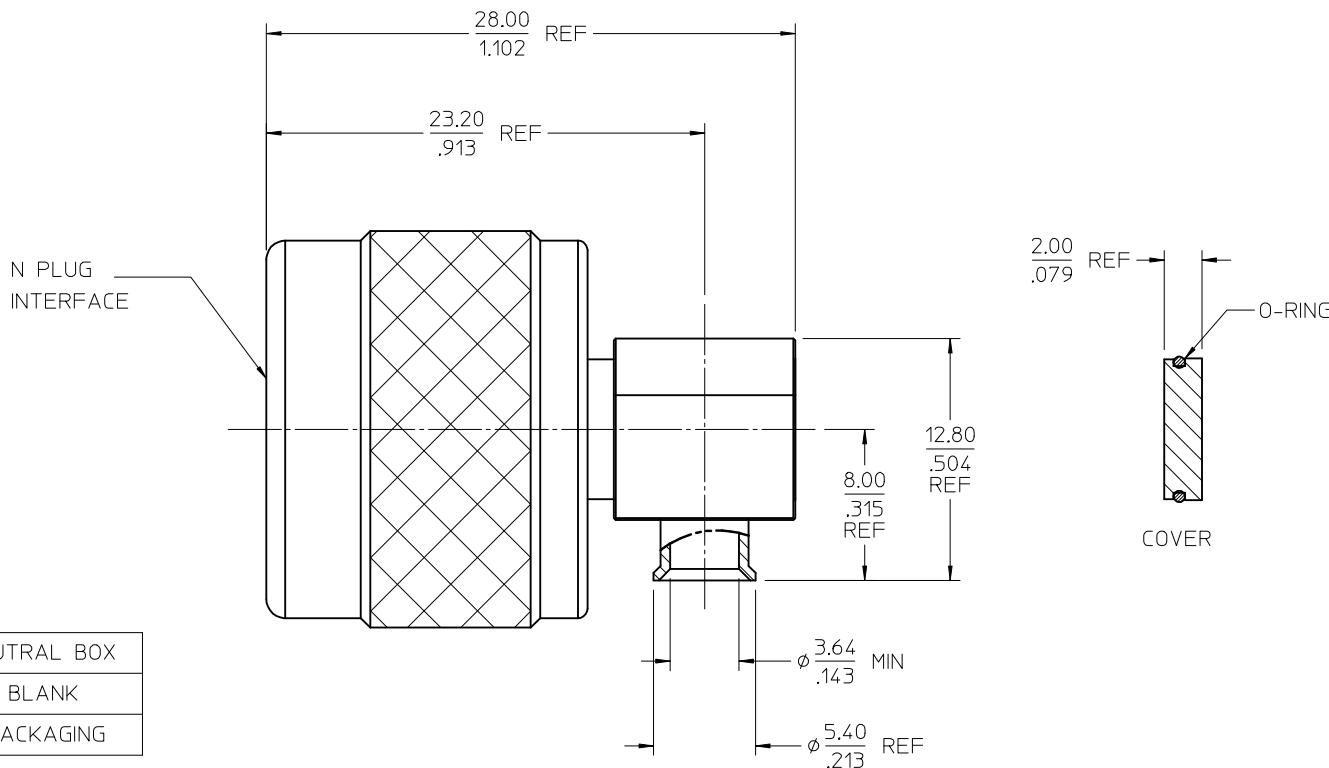
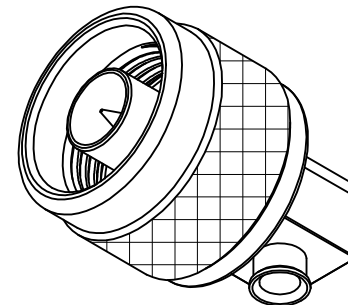
C-RING: PHOSPHOR BRONZE

INSULATOR: TEFLON

O-RING: SILICONE RUBBER

PERFORMANCE REQUIREMENTS:

FREQUENCY RANGE: 0-6000MHz
IMPEDANCE: 50 OHM
WITHSTANDING VOLTAGE(AC): 1500V @0.5mA
VSWR: ≤1.25(0-3000MHz);
WATER-PROOF: IP68 WHEN MATED



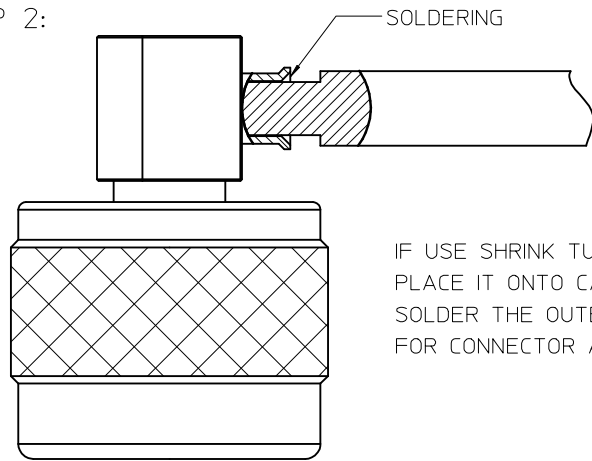
73141-4071	YES	NEUTRAL BOX
73141-4070	NO	BLANK
PART NO.	DUST CAP	PACKAGING

IEC60169-16	INTERFACE
SPECIFICATION	DESCRIPTION

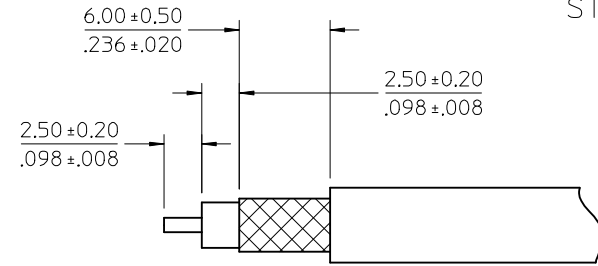
CHG: NEW RELEASE PER PDR J1507694 EC NO: URF2016-0112 DRWN: YHUANG11 2015/07/21 CHKD: LCHEN03 2015/07/21 APPR: MYE08 2015/08/14	QUALITY SYMBOLS ▽=0 ▽=0 ▽=0	GENERAL TOLERANCES (UNLESS SPECIFIED)	DIMENSION STYLE MM/IN	SCALE	DESIGN UNITS METRIC	THIRD ANGLE PROJECTION	
		4 PLACES ± --- ± --- 3 PLACES ± --- ± --- 2 PLACES ± --- ± --- 1 PLACE ± --- ± --- 0 PLACE ± --- ± ---	DRAWN BY YHUANG11	DATE 2015/07/21	TITLE N PLUG R/A, 50 OHM FOR 141 CABLE N-P-R/A		
		ANGULAR ± 2°	CHECKED BY LCHEN03	DATE 2015/07/21	APPROVED BY MYE08		
		DRAFT WHERE APPLICABLE MUST REMAIN WITHIN DIMENSIONS	MATERIAL NO. 731414070	DATE 2015/08/14	DOCUMENT NO. SD-73141-407	SHEET NO. 1 OF 2	

THIS DRAWING CONTAINS INFORMATION THAT IS PROPRIETARY TO MOLEX INCORPORATED AND SHOULD NOT BE USED WITHOUT WRITTEN PERMISSION

STEP 2:



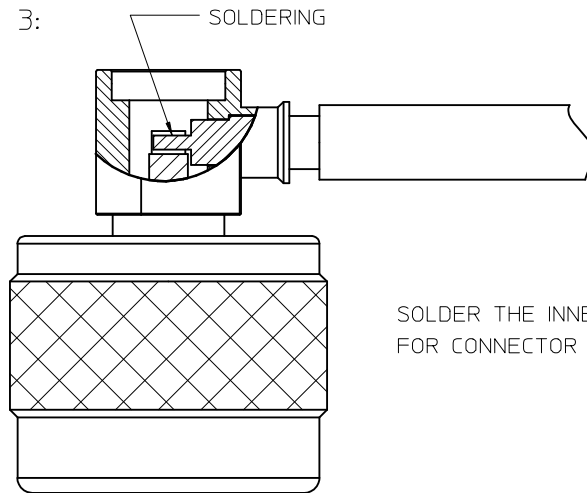
IF USE SHRINK TUBE
PLACE IT ONTO CABLE BEFORE
SOLDER THE OUTER CONDUCTOR
FOR CONNECTOR AND CABLE



141 CABLE
RECOMMENDED STRIP DIMENSION

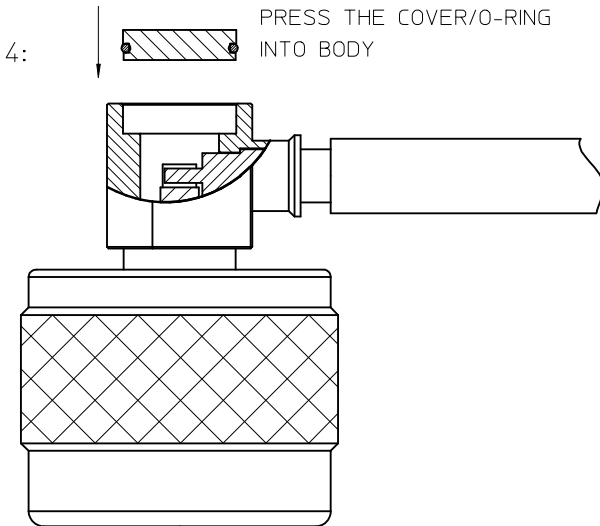
STEP 1:

STEP 3:



SOLDER THE INNER CONDUCTOR
FOR CONNECTOR AND CABLE

STEP 4:



CHG: SEE SHEET 1 EC NO: URF2016-0112 DRWN:YHUANG11 2015/07/21 CHKD:LCHEN03 2015/07/21 APPR:MYE08 2015/08/14	QUALITY SYMBOLS ▽=0 ▽=0 ▽=0	GENERAL TOLERANCES (UNLESS SPECIFIED)		DIMENSION STYLE MM/IN		SCALE	DESIGN UNITS METRIC	THIRD ANGLE PROJECTION			
		4 PLACES ± --- ± ---	3 PLACES ± --- ± ---	2 PLACES ± --- ± ---	1 PLACE ± --- ± ---	0 PLACE ± --- ± ---	DRAWN BY YHUANG11	DATE 2015/07/21	TITLE N PLUG R/A, 50 OHM FOR 141 CABLE N-P-R/A		
		ANGULAR ± 2 °					CHECKED BY LCHEN03	DATE 2015/07/21	molex		
		DRAFT WHERE APPLICABLE MUST REMAIN WITHIN DIMENSIONS					APPROVED BY MYE08	DATE 2015/08/14			
THIS DRAWING CONTAINS INFORMATION THAT IS PROPRIETARY TO MOLEX INCORPORATED AND SHOULD NOT BE USED WITHOUT WRITTEN PERMISSION											

MATERIALS AND FINISHES

BODY, COVER: BRASS
PLATED TRI-M

CONTACT: BRASS
PLATED SILVER

COUPLING NUT: BRASS
PLATED NICKEL

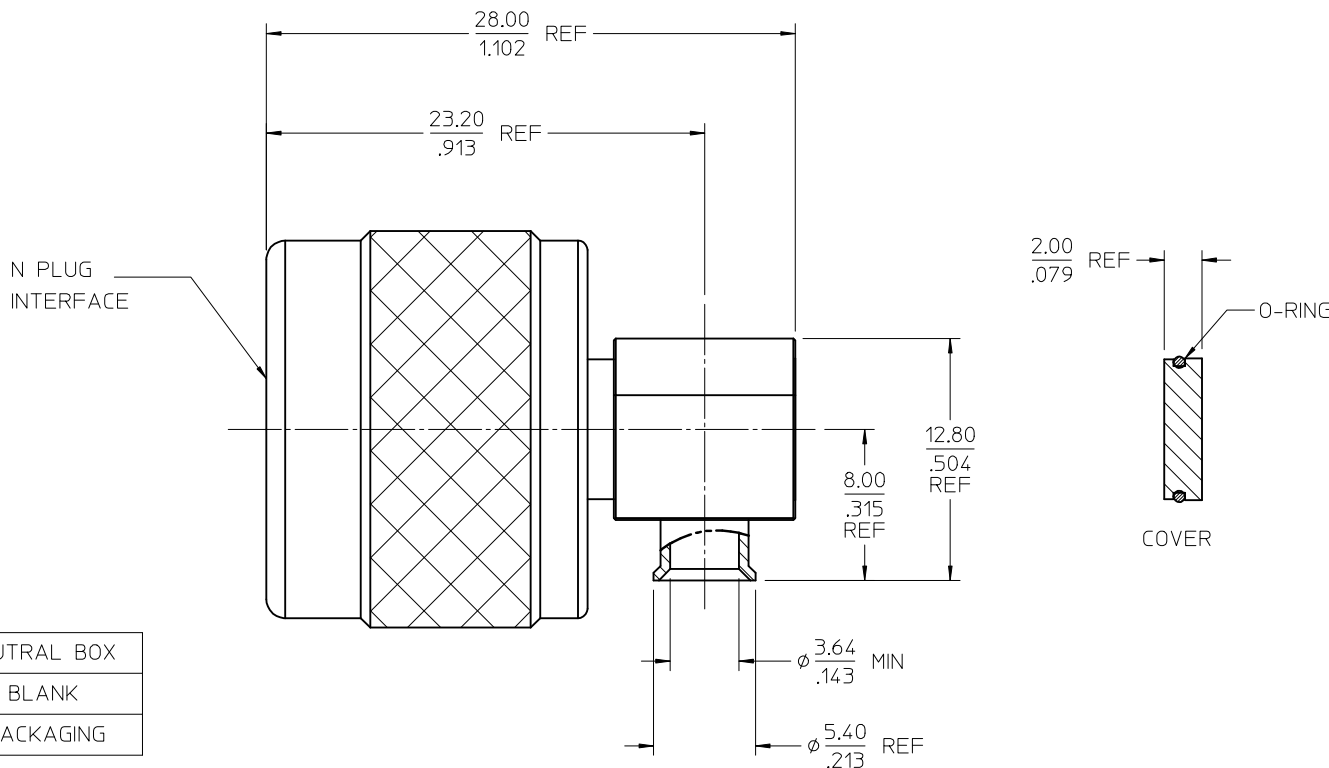
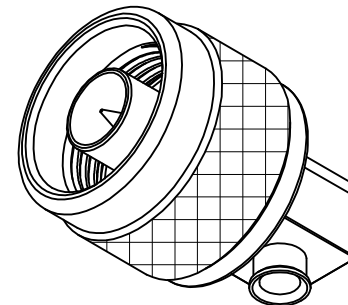
C-RING: PHOSPHOR BRONZE

INSULATOR: TEFLON

O-RING: SILICONE RUBBER

PERFORMANCE REQUIREMENTS:

FREQUENCY RANGE: 0-6000MHz
IMPEDANCE: 50 OHM
WITHSTANDING VOLTAGE(AC): 1500V @0.5mA
VSWR: ≤1.25(0-3000MHz);
WATER-PROOF: IP68 WHEN MATED

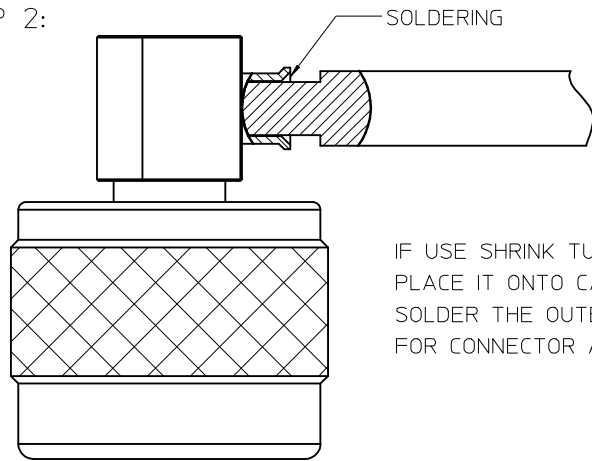


73141-4071	YES	NEUTRAL BOX
73141-4070	NO	BLANK
PART NO.	DUST CAP	PACKAGING

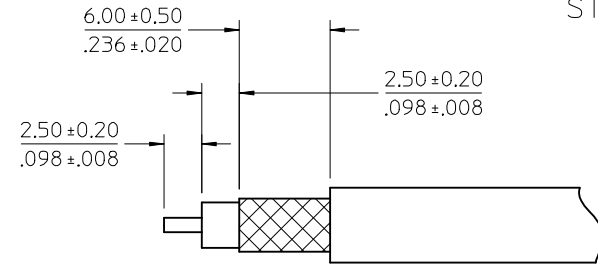
IEC60169-16	INTERFACE
SPECIFICATION	DESCRIPTION

CHG: NEW RELEASE PER PDR J1507694 EC NO: URF2016-0112 DRWN: YHUANG11 2015/07/21 CHKD: LCHEN03 2015/07/21 APPR: MYE08 2015/08/14	QUALITY SYMBOLS	GENERAL TOLERANCES (UNLESS SPECIFIED)	DIMENSION STYLE	SCALE	DESIGN UNITS	THIRD ANGLE PROJECTION	
	$\nabla = 0$ $\nabla = 0$ $\nabla = 0$	mm INCH 4 PLACES ± --- ± --- 3 PLACES ± --- ± --- 2 PLACES ± --- ± --- 1 PLACE ± --- ± --- 0 PLACE ± --- ± ---	MM/IN	DRAWN BY DATE YHUANG11 2015/07/21 CHECKED BY DATE LCHEN03 2015/07/21 APPROVED BY DATE MYE08 2015/08/14	TITLE	N PLUG R/A, 50 OHM FOR 141 CABLE N-P-R/A	THIS DRAWING CONTAINS INFORMATION THAT IS PROPRIETARY TO MOLEX INCORPORATED AND SHOULD NOT BE USED WITHOUT WRITTEN PERMISSION
	ANGULAR ± 2°	DRAFT WHERE APPLICABLE MUST REMAIN WITHIN DIMENSIONS	MATERIAL NO.	DOCUMENT NO.			
	A	REV		731414070	SD-73141-407	SHEET NO.	1 OF 2

STEP 2:



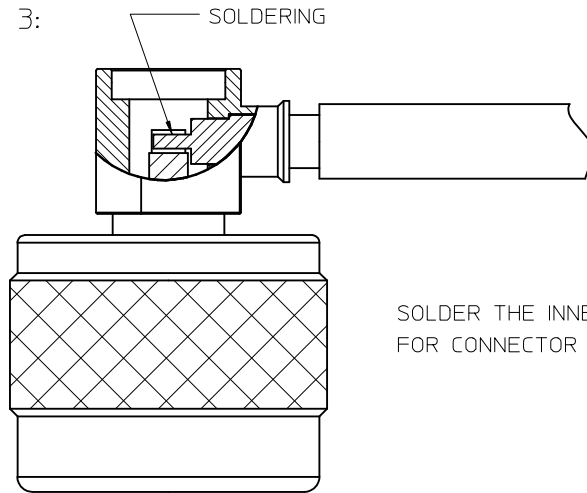
IF USE SHRINK TUBE
PLACE IT ONTO CABLE BEFORE
SOLDER THE OUTER CONDUCTOR
FOR CONNECTOR AND CABLE



141 CABLE
RECOMMENDED STRIP DIMENSION

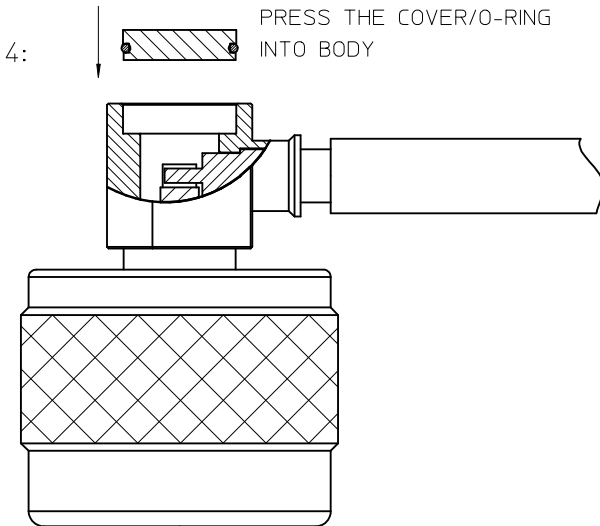
STEP 1:

STEP 3:



SOLDER THE INNER CONDUCTOR
FOR CONNECTOR AND CABLE

STEP 4:



CHG: SEE SHEET 1 EC NO: URF2016-0112 DRAWN: HUANG11 2015/07/21 CHKD: LCHEN03 2015/07/21 APPR: MYE08 2015/08/14	QUALITY SYMBOLS ▽=0 ▽=0 ▽=0	GENERAL TOLERANCES (UNLESS SPECIFIED)		DIMENSION STYLE MM/IN		SCALE	DESIGN UNITS METRIC	THIRD ANGLE PROJECTION			
		4 PLACES ± --- ± ---	3 PLACES ± --- ± ---	2 PLACES ± --- ± ---	1 PLACE ± --- ± ---	0 PLACE ± --- ± ---	DRAWN BY YHUANG11	DATE 2015/07/21	TITLE N PLUG R/A, 50 OHM FOR 141 CABLE N-P-R/A		
		ANGULAR ± 2 °					CHECKED BY LCHEN03	DATE 2015/07/21	APPROVED BY MYE08		
		DRAFT WHERE APPLICABLE MUST REMAIN WITHIN DIMENSIONS					MATERIAL NO. 731414070	DATE 2015/08/14	DOCUMENT NO. SD-73141-407	SHEET NO. 2 OF 2	