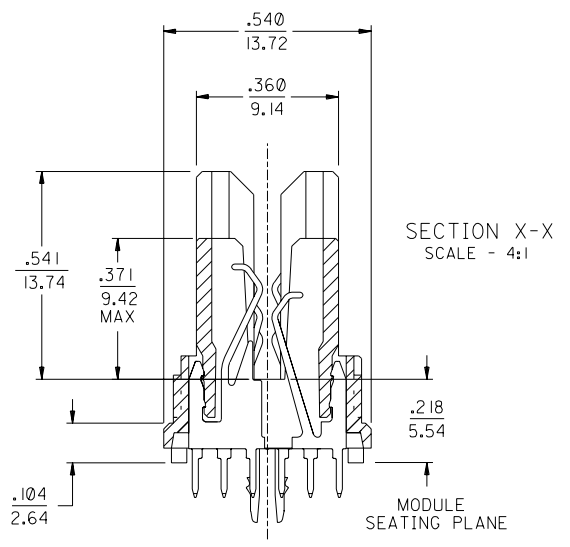
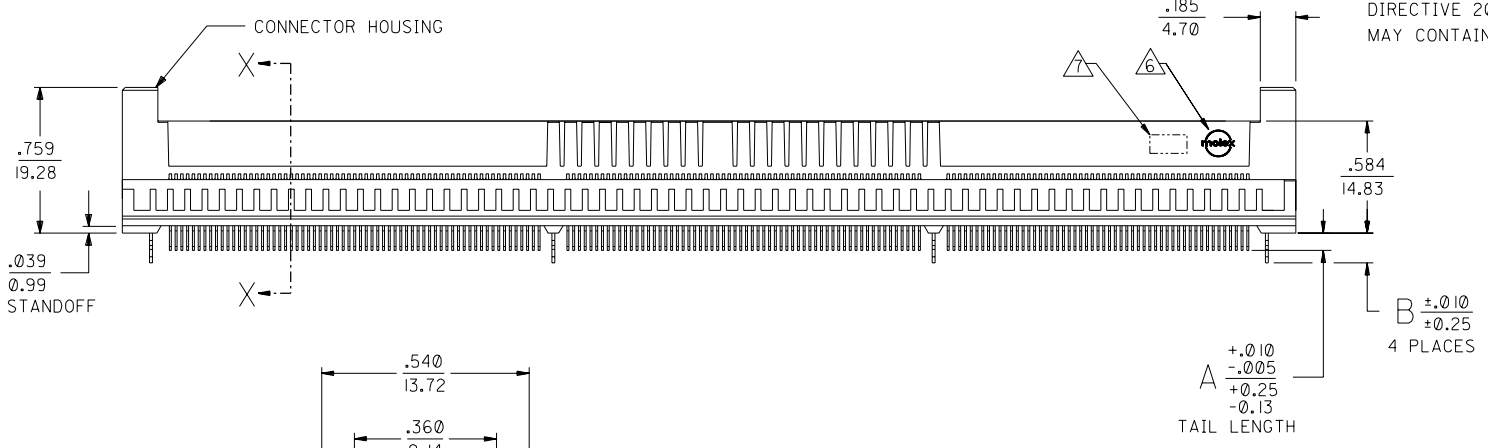
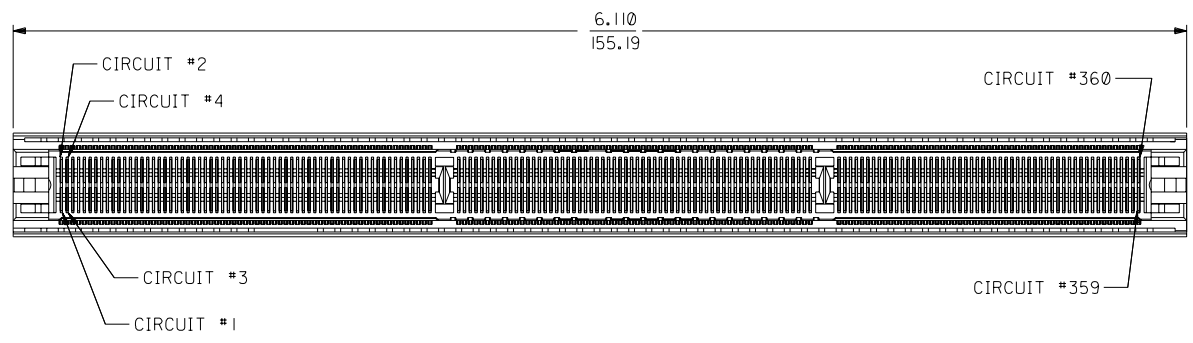
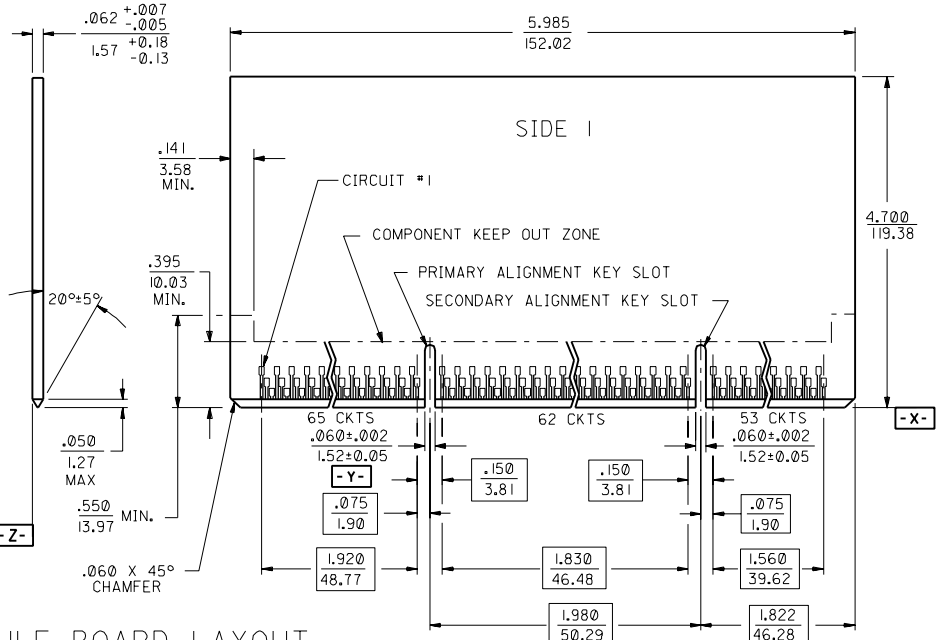
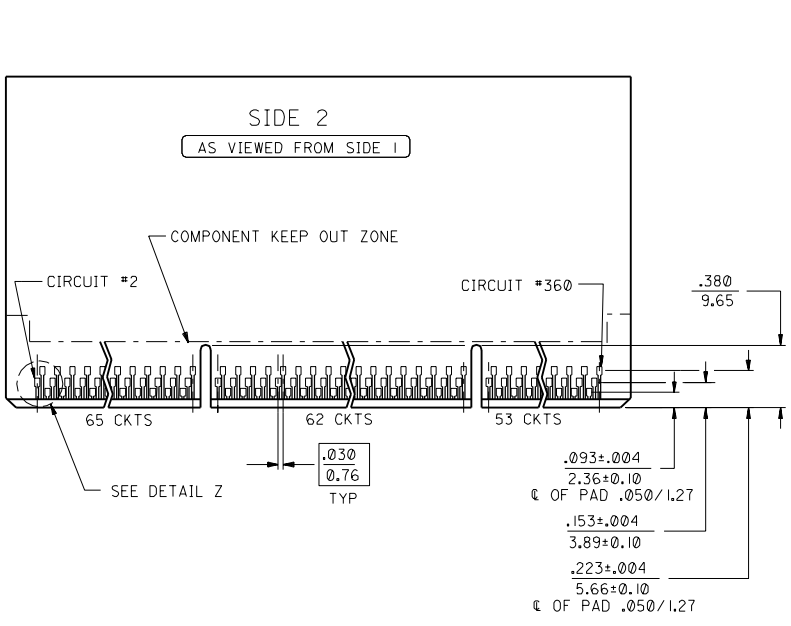


NOTES:

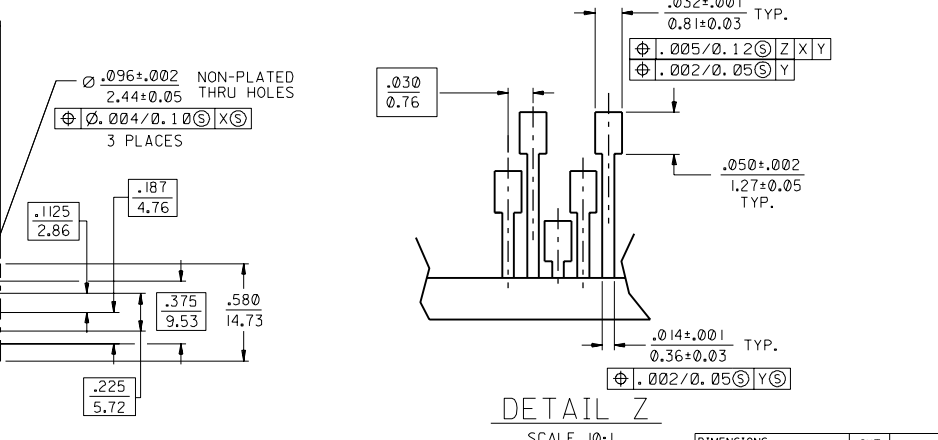
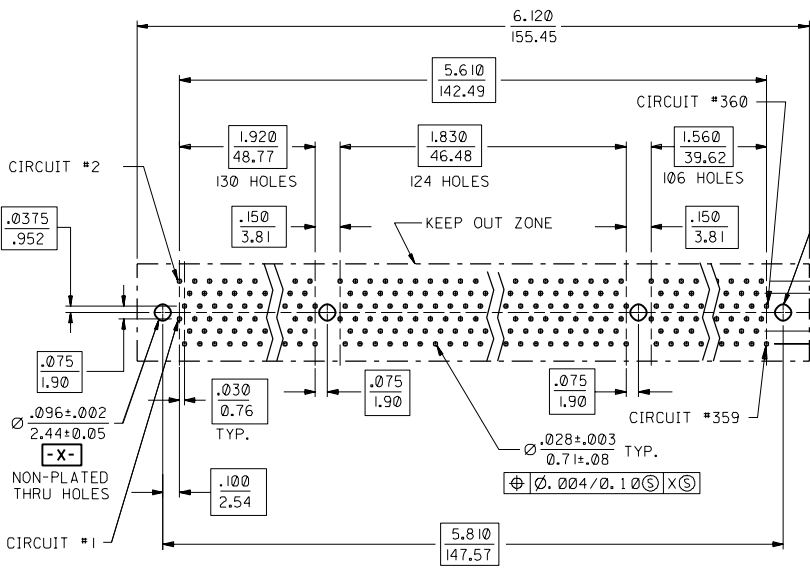
1. MATERIALS:
 - HOUSING - LCP, 30% GLASS FILLED, 94-V0, BLACK.
 - TERMINALS - PHOSPHOR BRONZE.
 - METAL FORKLLOCKS - PHOSPHOR BRONZE.
2. FINISH:
 - TERMINALS - .000030/0.00076 MINIMUM GOLD IN THE CONTACT AREA AND .000075/0.0019 MINIMUM TIN IN SOLDER TAIL AREA OVER .000050/0.0013 MINIMUM NICKEL OVERALL.
 - METAL FORKLLOCKS - .00008/0.002 MINIMUM TIN OVERALL.
3. PRODUCT SPECIFICATION PS-71109-9999 APPLIES.
4. CARD SLOT ACCEPTS .062 +.007/-.005 P.C. BOARD.
5. THE RECOMMENDED PLATING SPECIFICATION FOR THE MATING PC BOARD IS .000030/0.0076 MINIMUM GOLD OVER .000075/0.0019 MINIMUM NICKEL.
6. MOLEX LOGO SHALL APPEAR ON BOTH SIDES OF HOUSING AND LOCATED APPROXIMATELY AS SHOWN.
7. FOUR DIGIT DATE CODE (YR/WK) SHALL BE LOCATED APPROXIMATELY AS SHOWN.
8. THE PRIMARY SHIPPING CARTON WILL BE LABELED "COMPLIANT TO ROHS DIRECTIVE 2002/95/EC AND ELV ANNEX II OF DIRECTIVE 2000/53/EC". CARTONS WITHOUT THIS LABEL MAY CONTAIN PRODUCT WITH LEAD.



71109-5029		.115/2.92	.155/3.94	2	B
MAT'L NUMBER		A	B	1	E
REDUCE TIN THK EC NO. UCP2004-2347 DRAWN: RW WHITE 04/05/20 CHK: BBARKER 04/05/20 APPR: SMILLER 04/05/20	QUALITY SYMBOLS	GENERAL TOLERANCES: (UNLESS SPECIFIED)		SCALE 2 : 1	
	MAJOR	mm	INCH	DESIGN UNITS	THIRD ANGLE PROJECTION
	CRITICAL	mm	INCH	mm	INCH
	DESCRIPTION	4 PLACES ±0.	±.	DRAWN BY & DATE	TITLE:
	REV	3 PLACES ±0.	±.005	CHECKED BY & DATE	SALES ASSEMBLY
	2 PLACES ±0.13	±.	APPROVED BY & DATE	360 CKT "HiSpec" CONNECTOR	
	1 PLACE ±0.	±.	NELSON 08/14/98	W/METAL FORKLLOCKS	
	ANGULAR: ± 1°		CAD FILENAME	MATERIAL NO.	DRAWING NO.
			WORKMANAGER	SEE CHART	SD-71109-511
DRAFT WHERE APPLICABLE MUST REMAIN WITHIN DIMENSIONS			THIS DRAWING CONTAINS INFORMATION THAT IS PROPRIETARY TO MOLEX INCORPORATED AND SHOULD NOT BE USED WITHOUT WRITTEN PERMISSION.		
				SHEET NO.	1 OF 2
				SIZE	C



RECOMMENDED MODULE BOARD LAYOUT



DETAIL Z

SEE SHEET 1	EC NO. B	DRWN: CHP	APP: APP	DESCRIPTION	QUALITY SYMBOLS	GENERAL TOLERANCES: (UNLESS SPECIFIED)	SCALE 2 : 1	DESIGN UNITS mm <input checked="" type="checkbox"/> INCH	THIRD ANGLE PROJECTION	DIMENSIONS: <input type="checkbox"/> mm <input checked="" type="checkbox"/> INCH <input type="checkbox"/> ONLY	SHT	REV	
					MAJOR 4 PLACES ±0.05	CRITICAL 3 PLACES ±0.005	mm	INCH	DRAWN BY & DATE TMCLELL 08/14/98	TITLE: SALES ASSEMBLY 360 CKT "Hispec" CONNECTOR W/METAL FORKLOCKS			
						2 PLACES ±0.13				CHECKED BY & DATE RESENDEZ 08/14/98			
						1 PLACE ±0.				APPROVED BY & DATE NELSON 08/14/98			
						ANGULAR: ± 1 °				CAD FILENAME WORKMANAGER	MATERIAL NO. SEE CHART	DRAWING NO. SD-71109-511	SHEET NO. 2
						DRAFT WHERE APPLICABLE MUST REMAIN WITHIN DIMENSIONS				THIS DRAWING CONTAINS INFORMATION THAT IS PROPRIETARY TO MOLEX INCORPORATED AND SHOULD NOT BE USED WITHOUT WRITTEN PERMISSION.			SIZE C