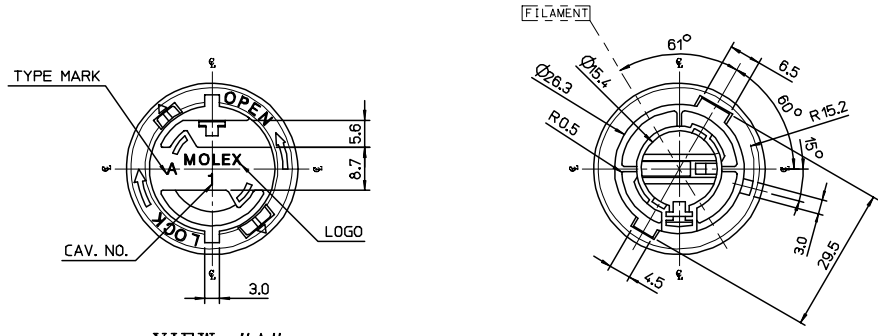


NOTES:

NO.	DESCRIPTION	MATERIAL	ENG. NO.	REMARK
1	SINGLE SOCKET - A TYPE	POLYAMIDE(PA66)	49504-020*	LCL=35mm
2	POSITIVE TERMINAL	PHOSPHOR BRONZE	35438-8000	UNPLATED
3	EARTH TERMINAL	PHOSPHOR BRONZE	35439-8000	UNPLATED

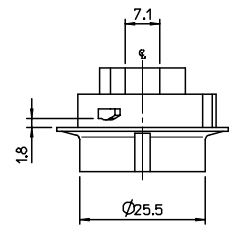
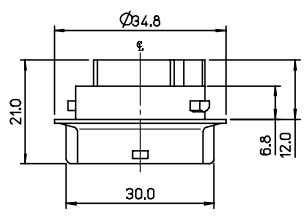


VIEW "A"

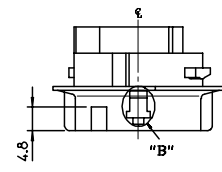
MXX SERIES NO. 49504 - * * * *
 SOCKET COLOR:
 0: NATURAL
 1: BLACK
 2: RED
 3: YELLOW
 4: BLUE
 5: GRAY
 6: WHITE
 7: BROWN
 ○: ON THE MARKET

CIRCUIT NO. _____

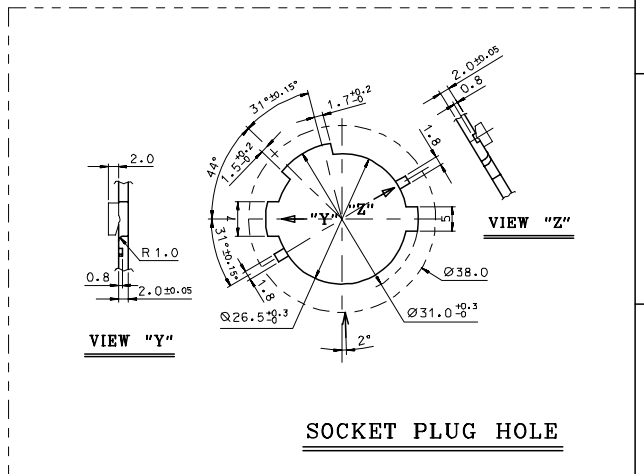
0: 'A' TYPE
 1: 'B' TYPE
 2: 'C' TYPE
 3: 'EC' TYPE
 4: 'D' TYPE



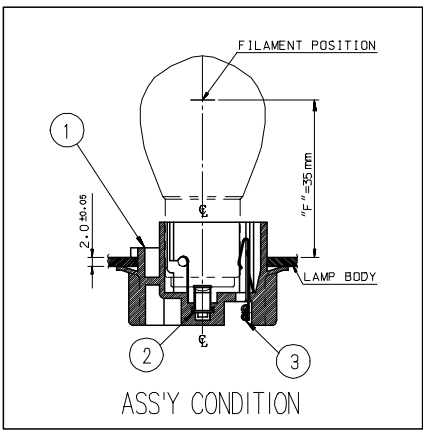
↑
"A"



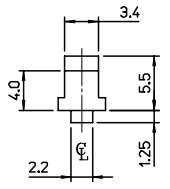
"B"



SOCKET PLUG HOLE



ASS'Y CONDITION



DETAIL "B"
SCALE 2:1

CHANGED OF NOTES EC NO: KOR2008-0095 DRWNER:KIM 2007/11/29 CHKDR:BCYOON 2007/11/30 APPR:YUNSIKKIM 2007/11/30	QUALITY SYMBOLS ▽=0 ▽=0	GENERAL TOLERANCES (UNLESS SPECIFIED) mm INCH 4 PLACES ± --- ± --- 3 PLACES ± --- ± --- 2 PLACES ± 0.2 ± --- 1 PLACE ± 0.3 ± --- ANGULAR ± 1 °	DIMENSION STYLE MM ONLY DRAWN BY DATE SMK IM 2004/05/12 CHECKED BY DATE BCYOON 2004/05/12 APPROVED BY DATE CWLEE 2004/05/12	SCALE 1:1 DESIGN UNITS METRIC THIRD ANGLE PROJECTION	TITLE NON-SEALED BULB SOCKET SINGLE HOUSING-A TYPE (LCL=35MM) MOLEX INCORPORATED	SHEET NO. 1 OF 1
	DRAFT WHERE APPLICABLE MUST REMAIN WITHIN DIMENSIONS	MATERIAL NO. 49504020*	DOCUMENT NO. SD-49504-001	MOLEX	MOLEX INCORPORATED	SHEET NO. 1 OF 1
	SIZE A3	THIS DRAWING CONTAINS INFORMATION THAT IS PROPRIETARY TO MOLEX INCORPORATED AND SHOULD NOT BE USED WITHOUT WRITTEN PERMISSION				