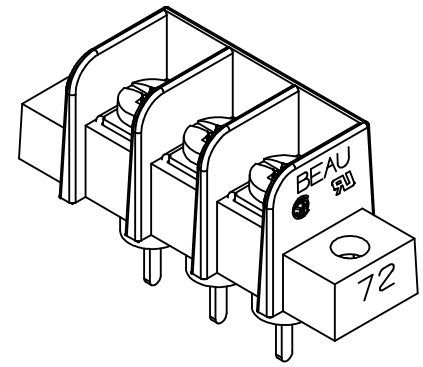
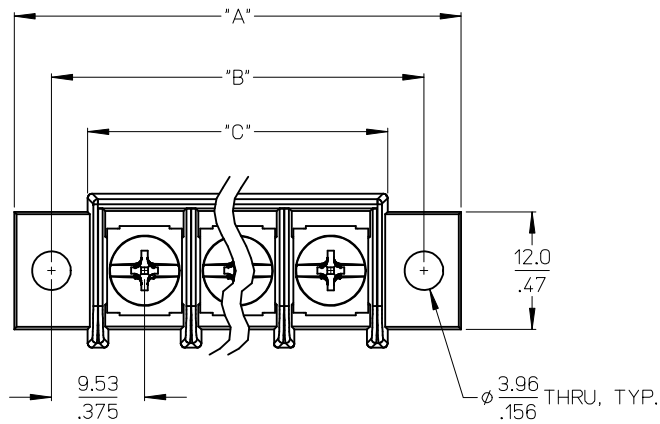
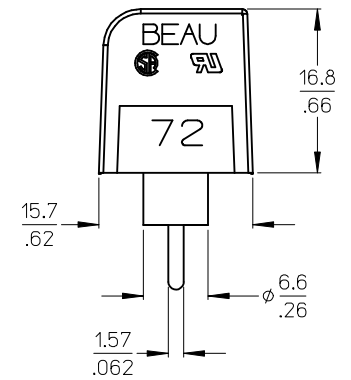
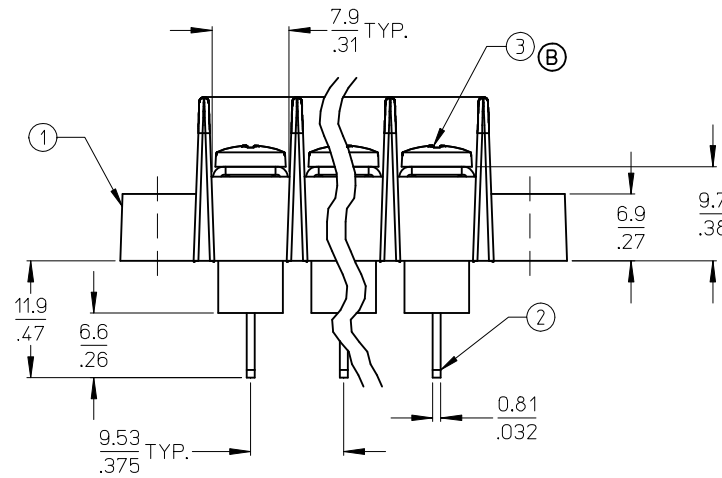


NO. OF CIRCUITS	DIM. "A"		DIM. "B"		DIM. "C"		ASSEMBLY MATERIAL NO.
	mm	in	mm	in	mm	in	
02	36.2	1.43	28.6	1.13	21.1	0.83	-
03	45.7	1.80	38.1	1.50	30.7	1.21	-
04	55.2	2.18	47.6	1.88	40.2	1.58	-
05	64.8	2.55	57.2	2.25	49.7	1.96	-
06	74.3	2.93	66.7	2.63	59.2	2.33	387291560
07	83.8	3.30	76.2	3.00	68.8	2.71	-
08	93.3	3.68	85.7	3.38	78.3	3.08	-
09	102.9	4.05	95.3	3.75	87.8	3.46	-
10	112.4	4.43	104.8	4.13	97.3	3.83	387291034
11	121.9	4.80	114.3	4.50	106.9	4.21	-
12	131.4	5.18	123.8	4.88	116.4	4.58	-
13	141.0	5.55	133.4	5.25	125.9	4.96	-



3 CIRCUIT SHOWN



NOTES:

1. MATERIAL: SEE TABLE
2. "XX" REFERS TO THE QUANTITY OF CIRCUIT POSITIONS.
3. ROHS COMPLIANT.

3	XX	SCREW, #6-32X.250, BHD PH/SL (-56 OPT) (B)	STAINLESS STEEL	PASSIVATE
2	XX	TERMINAL, WW, #6-32	BRASS	TIN PLATE
1	1	INSULATOR, CS INSL.	POLYESTER (PBT)	BLACK
ITEM	QTY.	DESCRIPTION	MATERIAL	FINISH

CHG SS SCREW DRIVE RECESS
 EC NO: IPG2013-0364
 DRAWN: ENC INAS 2012/10/31
 CHKD: JMACNEIL 2012/10/31
 APPR: JMACNEIL 2012/11/05

QUALITY SYMBOLS
 ▽=0
 ▽=0

GENERAL TOLERANCES (UNLESS SPECIFIED)	
mm	INCH
4 PLACES ± .005	± .0005
3 PLACES ± .013	± .001
2 PLACES ± .025	± .002
1 PLACE ± .050	± .004
ANGULAR ± 2°	

DRAFT WHERE APPLICABLE
 MUST REMAIN WITHIN DIMENSIONS

DIMENSION STYLE	
MM/IN	
DRAWN BY	DATE
C. YORK	2006/05/19
CHECKED BY	DATE
JMACNEIL	2012/04/12
APPROVED BY	DATE
JMACNEIL	2012/11/05
MATERIAL NO.	DOCUMENT NO.
SEE CHART	SD-38729-032

SCALE	DESIGN UNITS	THIRD ANGLE PROJECTION
2:1	INCH	☉
9.53/.375" SR BTS, CS, INSULATED PC ASSY		
MOLEX INCORPORATED		
SHEET NO.		1 OF 1

THIS DRAWING CONTAINS INFORMATION THAT IS PROPRIETARY TO MOLEX INCORPORATED AND SHOULD NOT BE USED WITHOUT WRITTEN PERMISSION