

TABLE OF CONTENTS	
SHEET NO.	SHEET DESCRIPTION
1	NOTES AND BOM
2	CONFIGURATIONS
3-4	KEY CONFIGURATIONS
5	RECEPTACLE CONNECTOR ASSEMBLY
6	BACKSHELL NOTES
7	BACKSHELL
8	BACKSHELL CONFIGURATIONS

NOTES: VALID UNLESS OTHERWISE SPECIFIED

1. GENERAL:
- a. APPLICATION SPECIFICATION SEE: AS-33472-100
- CONTAINS: PRODUCT INTRODUCTION, PRODUCT SUMMARY, CONNECTOR ASSEMBLY, PACKAGING INFORMATION, CONNECTOR MATING, SERVICE INSTRUCTIONS, ELECTRICAL CONTINUITY CHECKING, CRIMPING, AND TROUBLESHOOTING.
  - DESIGNED TO MATE WITH DEVICE OR CONNECTOR AS SPECIFIED IN THE MATING INTERFACE/CONNECTOR DRAWINGS CHART.
  - \*DENOTES DRAWINGS THAT CAN BE ACCESSED AT <<http://ewcap.uscarteams.org/>>.
  - ASSEMBLY SHIPPED WITH PLR IN PRE-LOCK POSITION (SEE PLR PRE-LOCK VIEW SHEET 5).

- b. PRODUCT SPECIFICATION SEE:
- STANDARD CONFIGURATION: PS-33471-000
  - UL V0 CONFIGURATION: PS-160105-0001
  - CONTAINS: PRODUCT INTRODUCTION, PRODUCT SUMMARY, RATINGS (CURRENT, TEMPERATURE, SEALING, AND FLAMMABILITY), TERMINALS, WIRE DIAMETER RANGE, PRODUCT VALIDATION, AND PRODUCT DEVIATIONS.

c. PACKAGING SPECIFICATION PER MOLEX DRAWING: SEE PACKAGING CHART

d. PARTS MUST BE IN COMPLIANCE TO MOLEX CHEMICAL SUBSTANCES FOR PRODUCTS AND PACKAGING SPECIFICATION: QEHS-699000-301

e. DATA MUST BE SUBMITTED UNDER THE MOLEX PART NUMBER TO IMDS (COMPANY ID#13255)

2. DESIGN - MATERIALS:

- a. FOR BILL OF MATERIALS SEE:
- STANDARD CONFIGURATION SD-33471-0002
  - UL V0 CONFIGURATION SD-160105-0002

3. DESIGN - GEOMETRY:

a. THE 3-D CAD DATA IS BASIC (WITHOUT TOLERANCE) AND MASTER FOR THIS PART WITH THE EXCEPTION OF UNDERLINED DIMENSIONS. DIMENSIONAL INFORMATION NOT SHOWN ON THIS DRAWING IS DEFINED BY THE DATA FILE AT ITS LATEST REVISION.

b. GEOMETRIC DIMENSIONS AND TOLERANCES PER ASME Y14.5M-2009

c. EDGES AND UNDIMENSIONED DETAILS PER ISO13715

d. CORNERS SHOWN AS SHARP TO BE R 0.2 MAX.

e. LETTERING SHALL BE 0.15 MAX RAISED IN 0.25 MAX RECESS PAD. THIS INCLUDES RECYCLING CODE, CAVITY ID, VENDOR IDENTIFICATION, AND CUSTOMER MATERIAL NUMBER.

f. VISUAL DEFECTS SHALL MEET COSMETIC STANDARD PS-45499-002 (Class B).

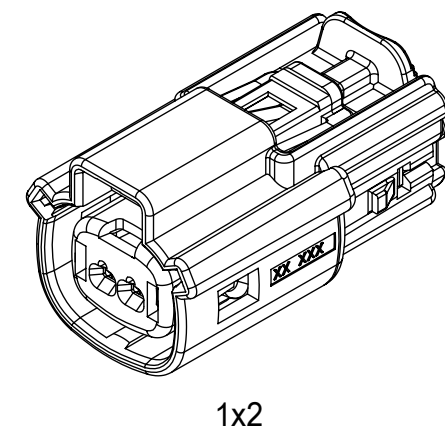
g. LASER MARKING:

- PART NUMBER
- DAY OF THE YEAR
- SHIFT
- YEAR

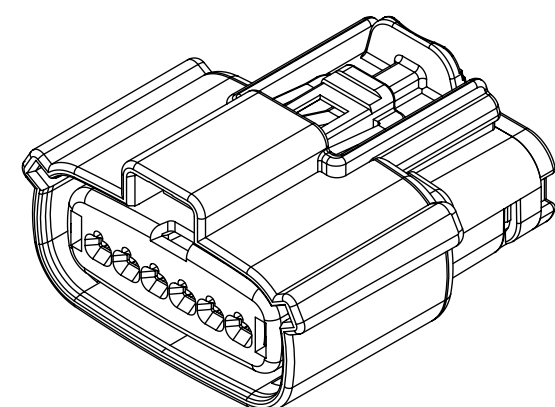
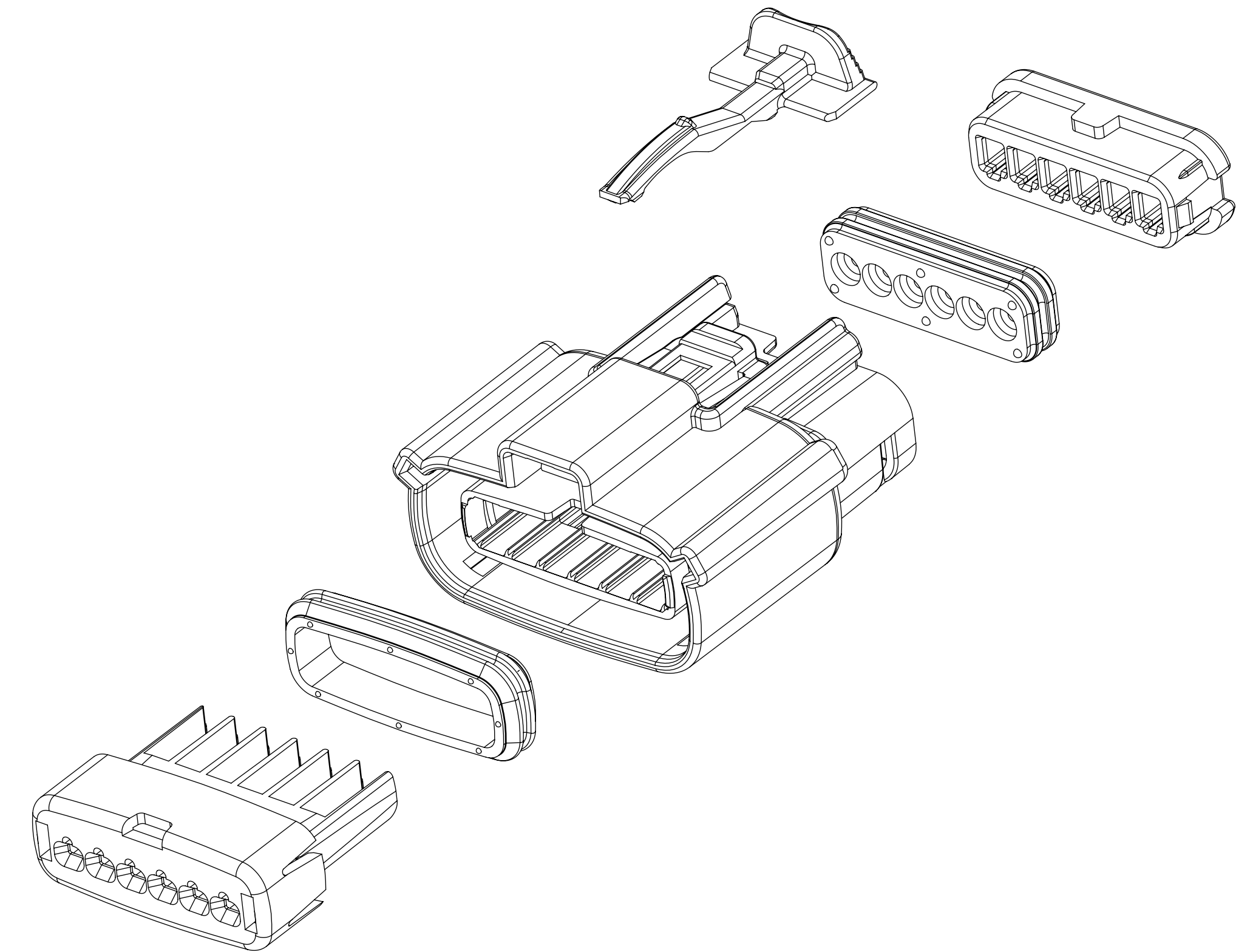
FOR ADDITIONAL INFORMATION SEE SECTION 5 UNDER PROCEDURES IN ES-34735-008.

PACKAGING	
DESCRIPTION	DRAWING NO.
1X2	PK-31300-635
1X6	PK-31300-903

MATING INTERFACE/CONNECTOR DRAWINGS		
DESCRIPTION	INTERFACE DEFINITION	MOLEX INLINE
1X2	*150-S-002-1-Z05	SD-33481-0001
1X6	*150-S-006-1-Z03	SD-33481-0001



1x2



1x6

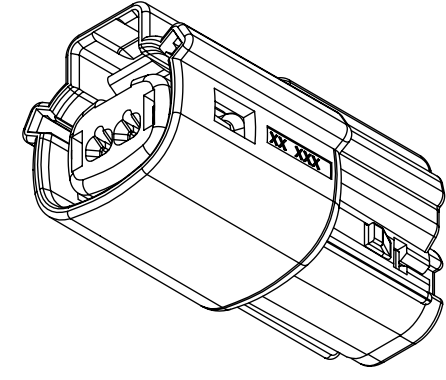
REV	REV DESCRIPTION
A1	UPDATED THE DRAWING FRAME
A	MINOR GEOMETRY CHANGE FOR UL V0
2	UPDATE VIEWSETS
1	INITIAL RELEASE

INSPECTION NUMBER LOG	
LAST NUMBER: 11	ADDED: 11
REMOVED:	

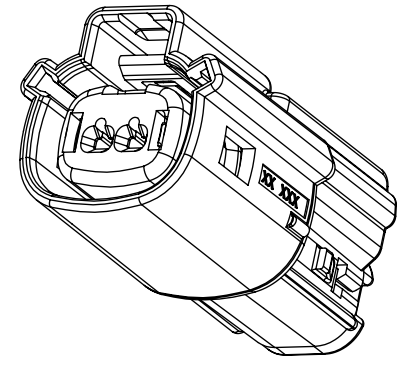
FUNCTIONAL SYMBOLS	THIS DRAWING CONTAINS INFORMATION THAT IS PROPRIETARY TO MOLEX ELECTRONIC TECHNOLOGIES, LLC AND SHOULD NOT BE USED WITHOUT WRITTEN PERMISSION		CURRENT REV DESC:		<b>molex</b>			
	FA = 0	mm	SCALE 1.5:1					
DIVISIONAL SYMBOLS	GENERAL TOLERANCES (UNLESS SPECIFIED)		EC NO: 643941		MX150 RCPT SINGLE ROW SEALED ASSY MAT SEAL			
	FC = 0	ANGULAR TOL ± 1.0°		DRWN: XLDONG03 2020/08/21				
DIVISIONAL SYMBOLS	FP = 0	4 PLACES	±	CHK'D: JDENG02 2020/08/26	PRODUCT CUSTOMER DRAWING			
		3 PLACES	±	APPR: JDENG02 2020/08/26				
		2 PLACES	± 0.1	INITIAL REVISION:				
		1 PLACE	± 0.2	DRWN: APROFFITT 2015/11/04				
		0 PLACES	±	APPR: KDEKOSHI 2016/06/14	DOCUMENT NUMBER	DOC TYPE	DOC PART	REVISION
DRAFT WHERE APPLICABLE MUST REMAIN WITHIN DIMENSIONS		THIRD ANGLE PROJECTION		DRAWING	SERIES	MATERIAL NUMBER	CUSTOMER	SHEET NUMBER
				D-SIZE	33471	SEE NOTE 2a	GENERAL MARKET	1 OF 8

# SHEET DESCRIPTION

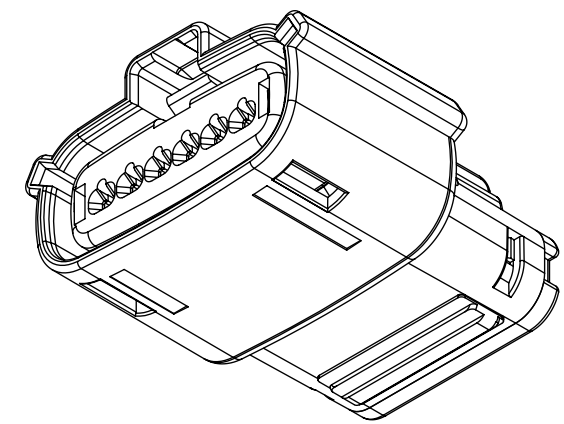
## CONFIGURATIONS



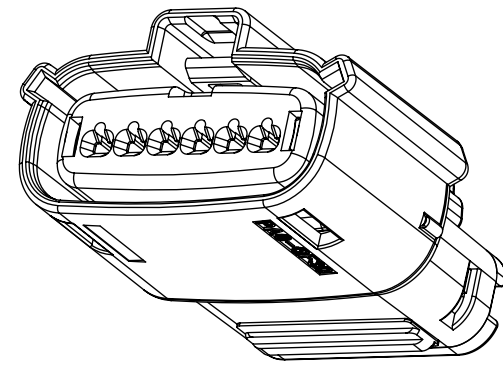
1x2 - STD



1x2 - UL V0\*



1x6 - STD



1x6 - UL V0\*

\*MINOR GEOMETRY DIFFERENCE THAN STANDARD CONFIGURATION  
SEE NOTES 1 & 2 FOR MORE INFORMATION

FUNCTIONAL SYMBOLS	THIS DRAWING CONTAINS INFORMATION THAT IS PROPRIETARY TO MOLEX ELECTRONIC TECHNOLOGIES, LLC AND SHOULD NOT BE USED WITHOUT WRITTEN PERMISSION		
	DIMENSION UNITS	SCALE	CURRENT REV DESC:
$\nabla_A = 0$	mm	1.5:1	EC NO: 643941 DRWN: XLDONG03 2020/08/21 CHK'D: JDENG02 2020/08/26 APPR: JDENG02 2020/08/26 INITIAL REVISION: DRWN: APROFFITT 2015/11/04 APPR: KDEKOSKI 2016/06/14
$\nabla_C = 0$	GENERAL TOLERANCES (UNLESS SPECIFIED)		
$\nabla_D = 0$	ANGULAR TOL $\pm 1.0^\circ$		
DIVISIONAL SYMBOLS	4 PLACES	$\pm$	
	3 PLACES	$\pm$	
	2 PLACES	$\pm 0.1$	
	1 PLACE	$\pm 0.2$	
	0 PLACES	$\pm$	
DRAFT WHERE APPLICABLE MUST REMAIN WITHIN DIMENSIONS		THIRD ANGLE PROJECTION	DRAWING: D-SIZE SERIES: 33471
DOCUMENT STATUS	P1	RELEASE DATE	DOCUMENT NUMBER: SD-33471-0001 DOC TYPE: PSD DOC PART: 001 REVISION: A1
2020/08/26	07:23:52		MATERIAL NUMBER: SEE NOTE 2a CUSTOMER: GENERAL MARKET SHEET NUMBER: 2 OF 8

# molex

MX150 RCPT  
SINGLE ROW SEALED ASSY MAT SEAL

PRODUCT CUSTOMER DRAWING

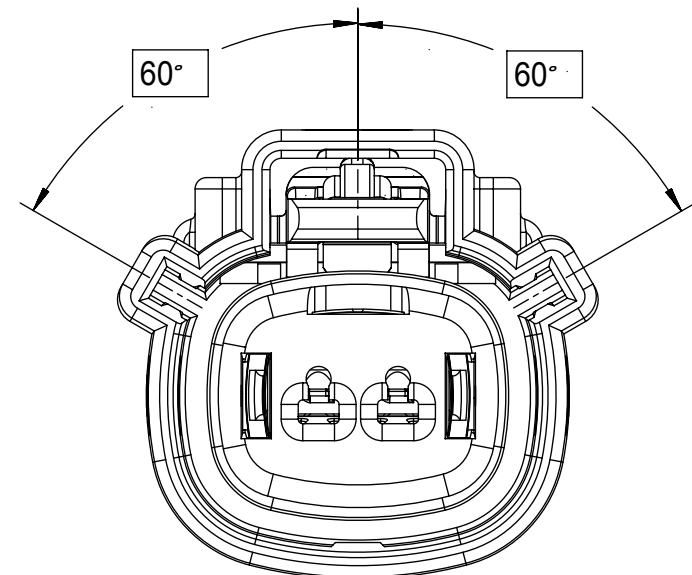
DOCUMENT NUMBER: SD-33471-0001  
DOC TYPE: PSD  
DOC PART: 001  
REVISION: A1

MATERIAL NUMBER: SEE NOTE 2a  
CUSTOMER: GENERAL MARKET  
SHEET NUMBER: 2 OF 8

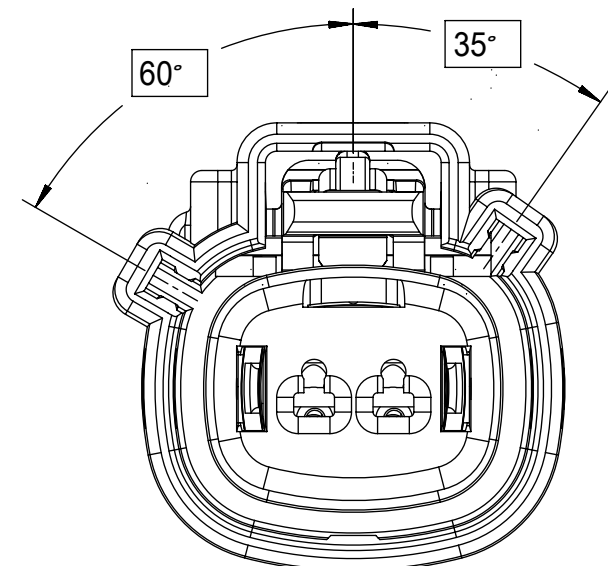
**SHEET DESCRIPTION**

KEY CONFIGURATIONS

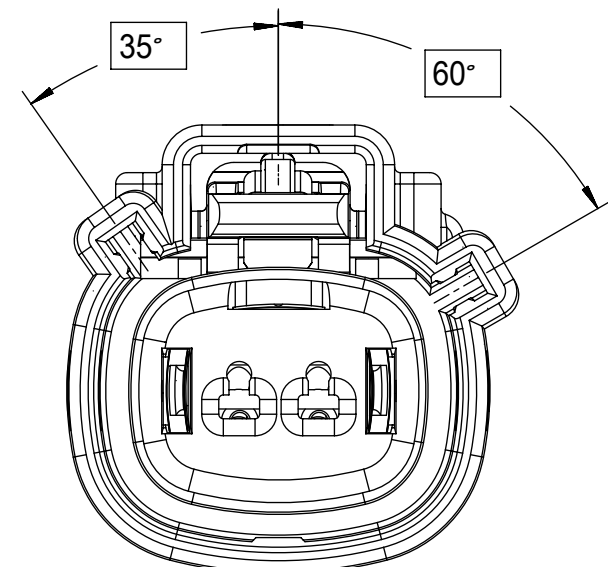
1X2



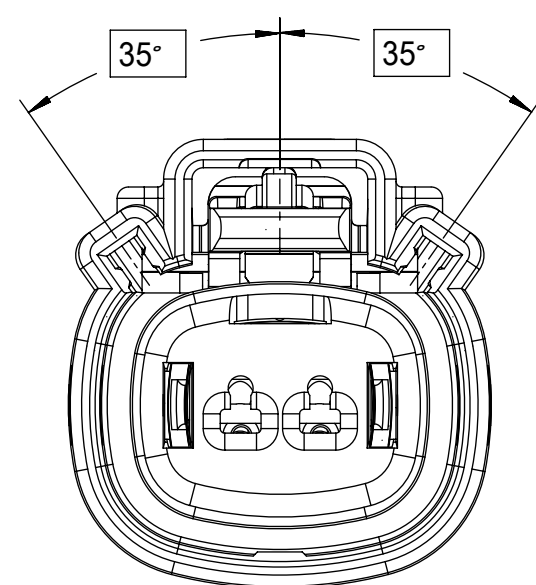
KEY A



KEY B



KEY C



KEY D

THIS DRAWING CONTAINS INFORMATION THAT IS PROPRIETARY TO MOLEX ELECTRONIC TECHNOLOGIES, LLC AND SHOULD NOT BE USED WITHOUT WRITTEN PERMISSION

FUNCTIONAL SYMBOLS	DIMENSION UNITS	SCALE	CURRENT REV DESC:
$F_A = 0$	mm	3:1	
$F_C = 0$	GENERAL TOLERANCES (UNLESS SPECIFIED)		
$F_P = 0$	ANGULAR TOL $\pm 1.0^\circ$		
DIVISIONAL SYMBOLS	4 PLACES	$\pm$	EC NO: 643941 DRWN: XLDONG03 2020/08/21 CHK'D: JDENG02 2020/08/26 APPR: JDENG02 2020/08/26 INITIAL REVISION: DRWN: APROFFITT 2015/11/04 APPR: KDEKOSKI 2016/06/14
	3 PLACES	$\pm$	
	2 PLACES	$\pm 0.1$	
	1 PLACE	$\pm 0.2$	
	0 PLACES	$\pm$	
DRAFT WHERE APPLICABLE MUST REMAIN WITHIN DIMENSIONS		THIRD ANGLE PROJECTION	DRAWING: D-SIZE SERIES: 33471 MATERIAL NUMBER: SEE NOTE 2a CUSTOMER: GENERAL MARKET SHEET NUMBER: 3 OF 8

**molex**

MX150 RCPT  
SINGLE ROW SEALED ASSY MAT SEAL

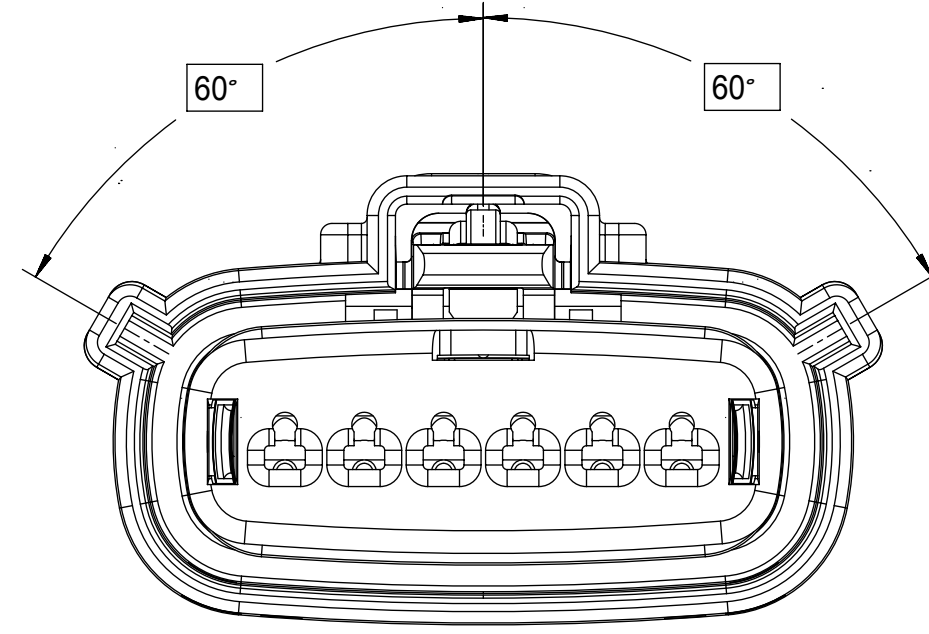
PRODUCT CUSTOMER DRAWING

DOCUMENT NUMBER	DOC TYPE	DOC PART	REVISION
SD-33471-0001	PSD	001	A1

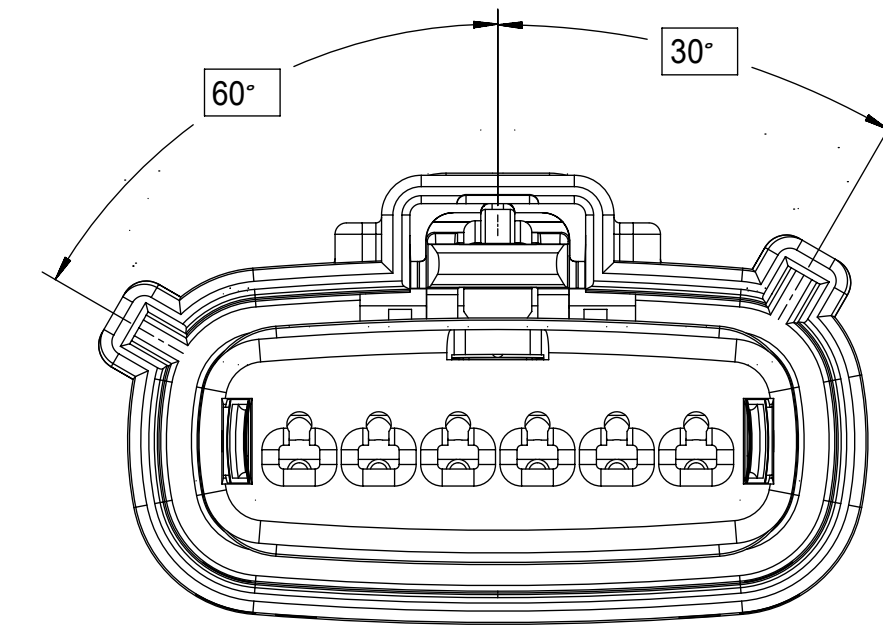
**SHEET DESCRIPTION**

KEY CONFIGURATIONS CONT.

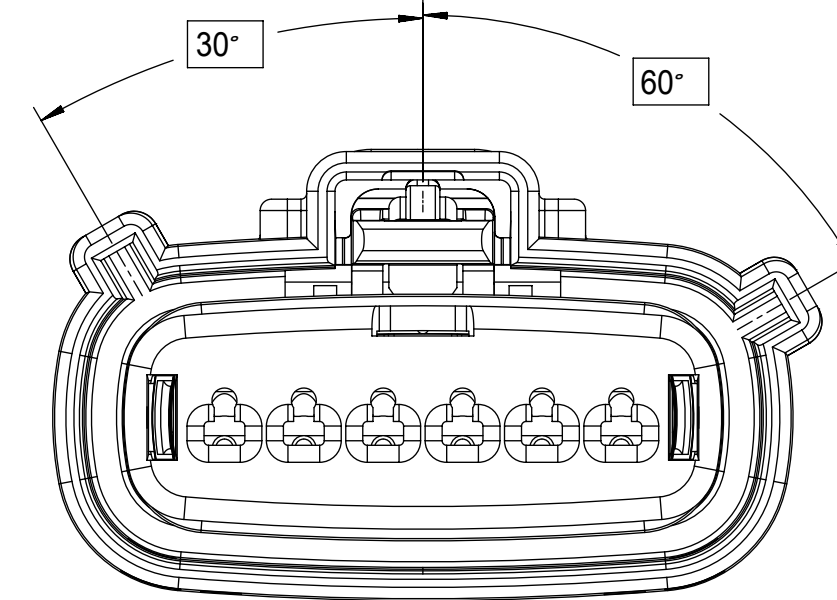
**1X6**



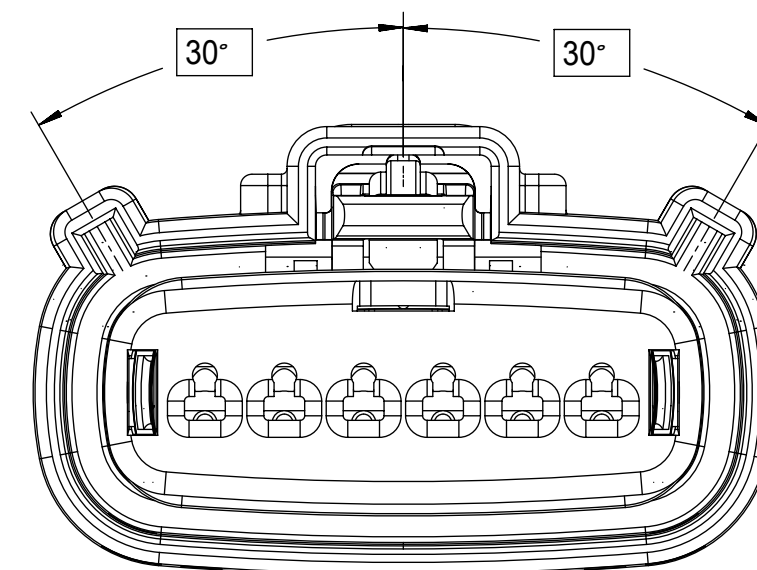
KEY A



KEY B



KEY C



KEY D

FUNCTIONAL SYMBOLS	THIS DRAWING CONTAINS INFORMATION THAT IS PROPRIETARY TO MOLEX ELECTRONIC TECHNOLOGIES, LLC AND SHOULD NOT BE USED WITHOUT WRITTEN PERMISSION		
	DIMENSION UNITS	SCALE	CURRENT REV DESC:
$\nabla_A = 0$	mm	3:1	
$\nabla_C = 0$	GENERAL TOLERANCES (UNLESS SPECIFIED)		
$\nabla_P = 0$	ANGULAR TOL $\pm 1.0^\circ$		
DIVISIONAL SYMBOLS	4 PLACES	$\pm$	EC NO: 643941
	3 PLACES	$\pm$	DRWN: XLDONG03 2020/08/21
	2 PLACES	$\pm 0.1$	CHK'D: JDENG02 2020/08/26
	1 PLACE	$\pm 0.2$	APPR: JDENG02 2020/08/26
	0 PLACES	$\pm$	INITIAL REVISION: DRWN: APROFFITT 2015/11/04 APPR: KDEKOSKI 2016/06/14
DRAFT WHERE APPLICABLE MUST REMAIN WITHIN DIMENSIONS		THIRD ANGLE PROJECTION	DRAWING SERIES MATERIAL NUMBER CUSTOMER SHEET NUMBER
			D-SIZE 33471 SEE NOTE 2a GENERAL MARKET 4 OF 8

**molex**

MX150 RCPT  
SINGLE ROW SEALED ASSY MAT SEAL

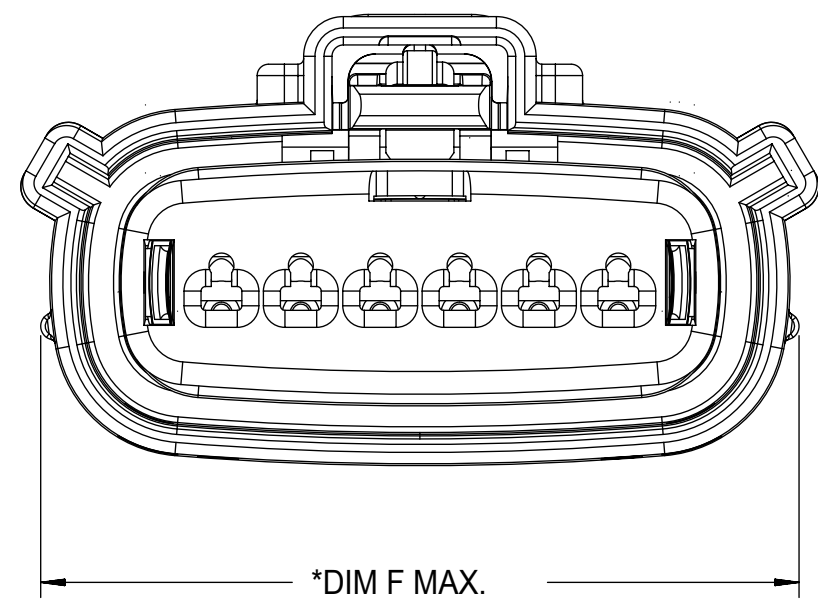
PRODUCT CUSTOMER DRAWING

DOCUMENT NUMBER	DOC TYPE	DOC PART	REVISION
SD-33471-0001	PSD	001	A1

# SHEET DESCRIPTION

RECEPTACLE CONNECTOR ASSEMBLY - STD

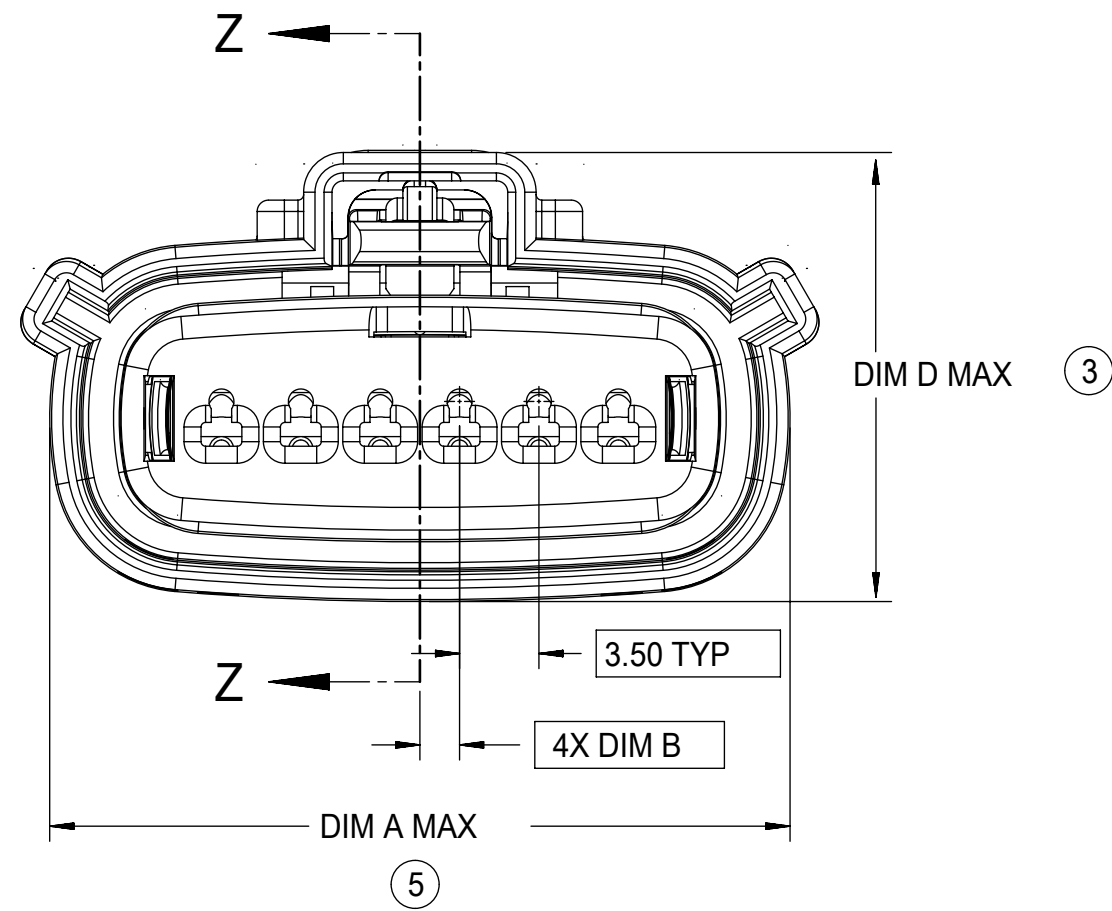
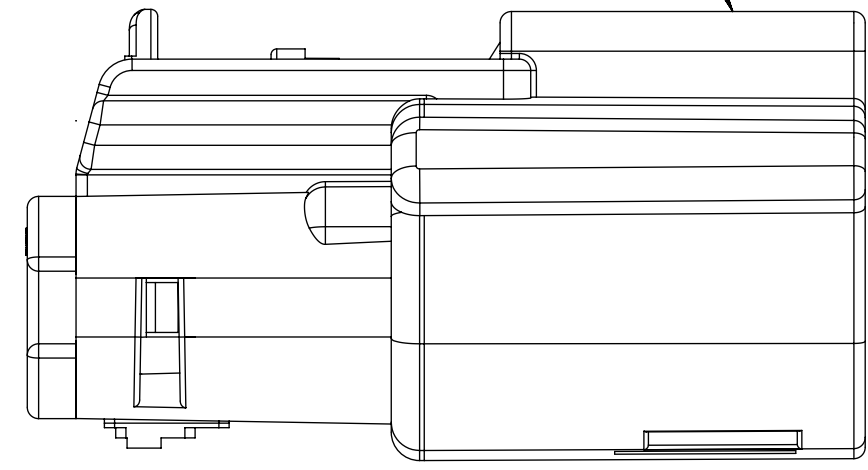
DESCRIPTION	DIMENSIONS					
	A	B	C	D	E	F
1X2	19.40	1.75	21.73	20.55	37.65	19.64
1X6	32.75	1.75	35.21	19.90	37.65	N/A
1X6 UL V0	N/A	1.75	35.23	19.90	37.65	33.64



\*DIM F MAX.  
\*APPLIE TO UL V0 CONFIGURATIONS ONLY

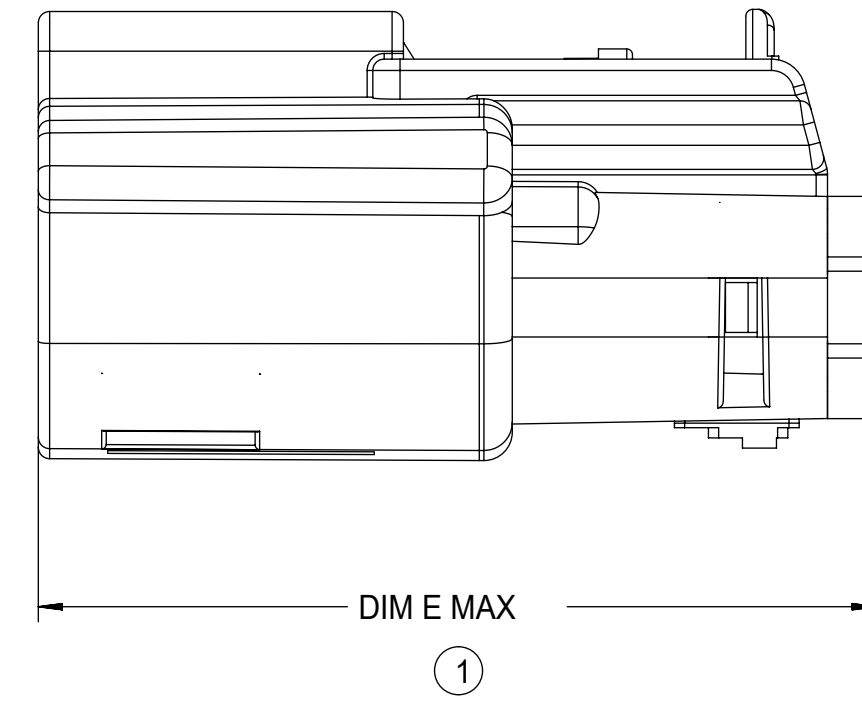
①

LASER MARKING ON THIS SURFACE  
SEE NOTE 3g.



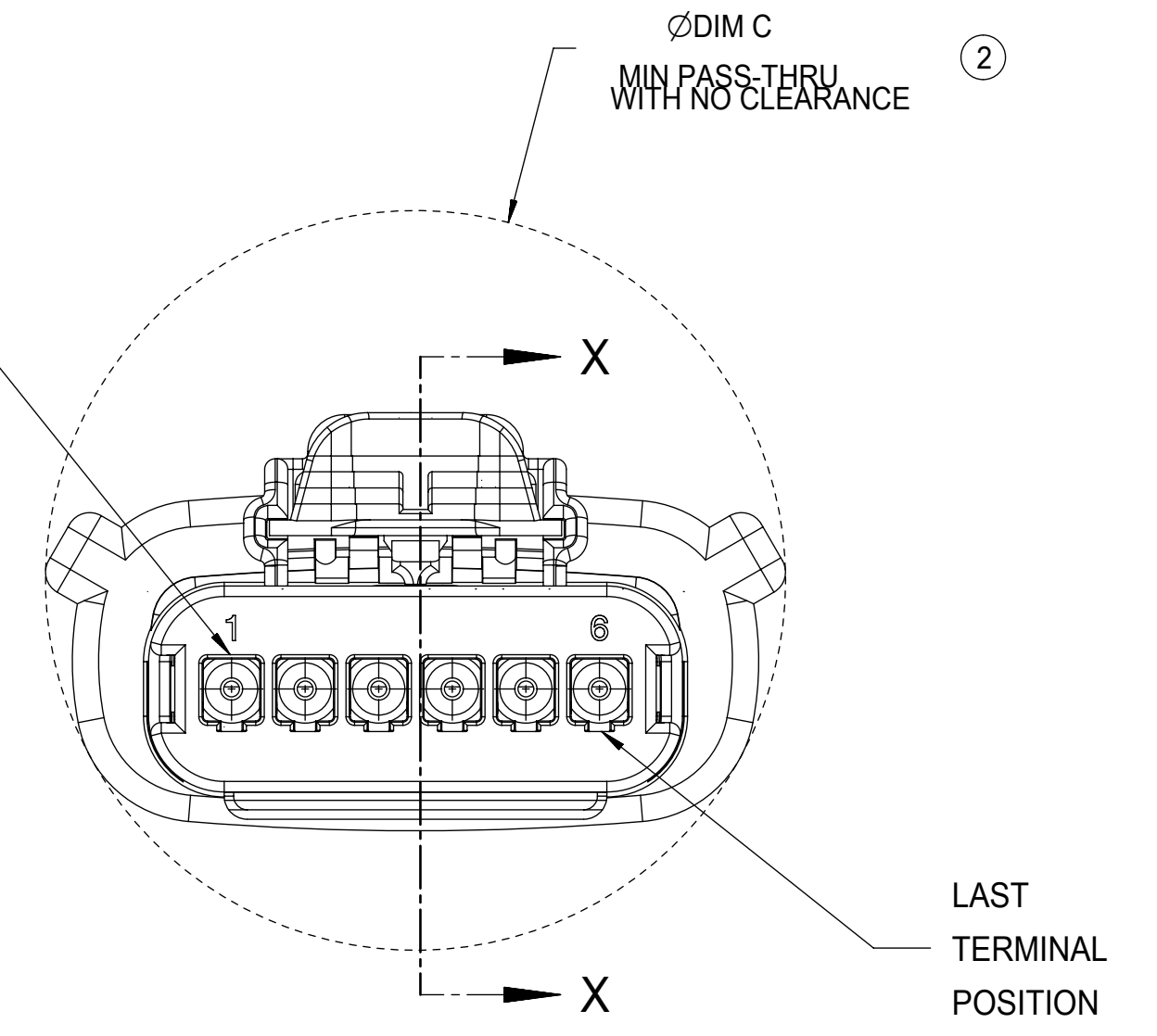
DIM D MAX ③

⑤



①

TERMINAL  
POSITION 1

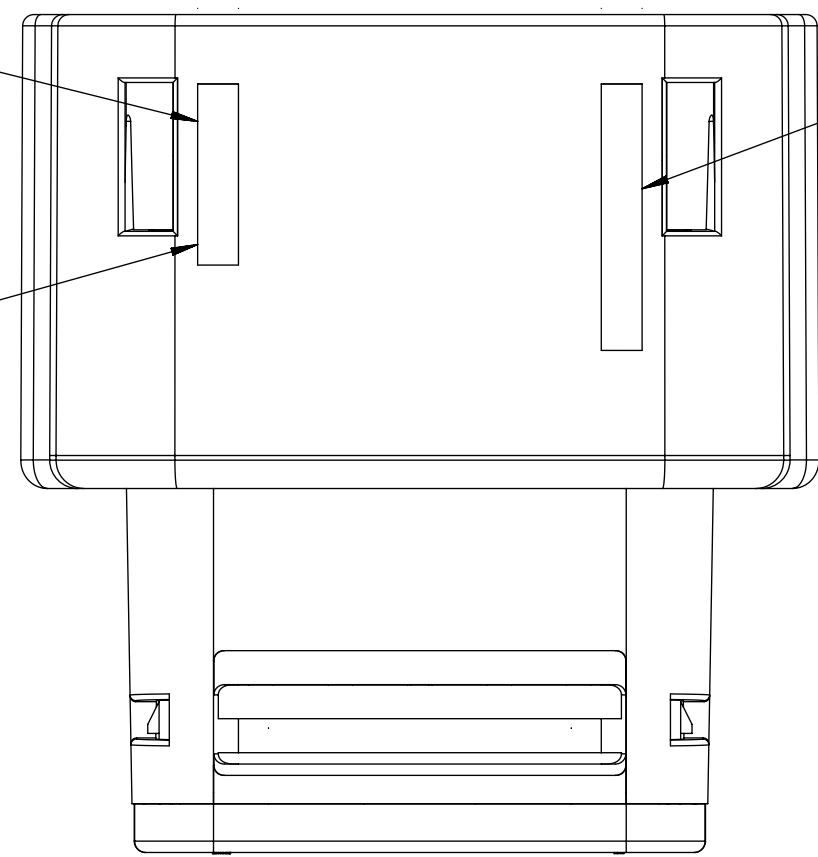


REAR VIEW  
(WIRE HARNESS SIDE)

MOLD CAVITY I.D.  
THIS LOCATION

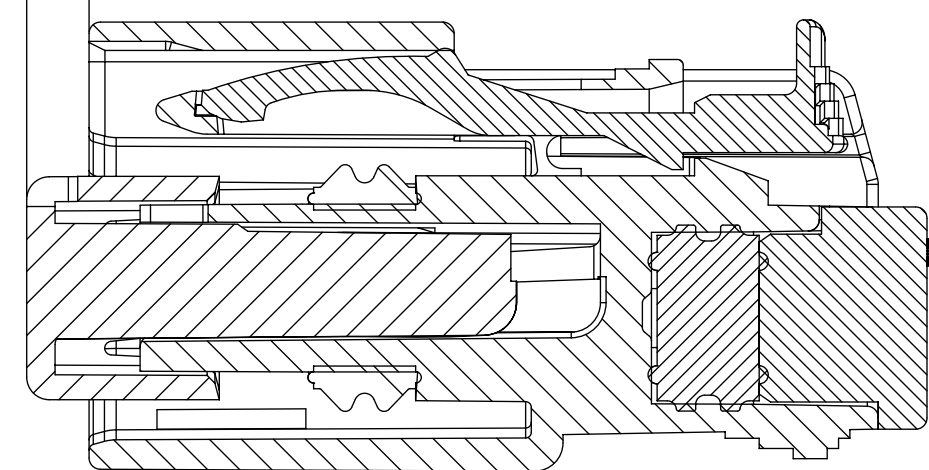
RECYCLE CODE  
THIS LOCATION

MANUFACTURING LOCATION  
CODE THIS LOCATION



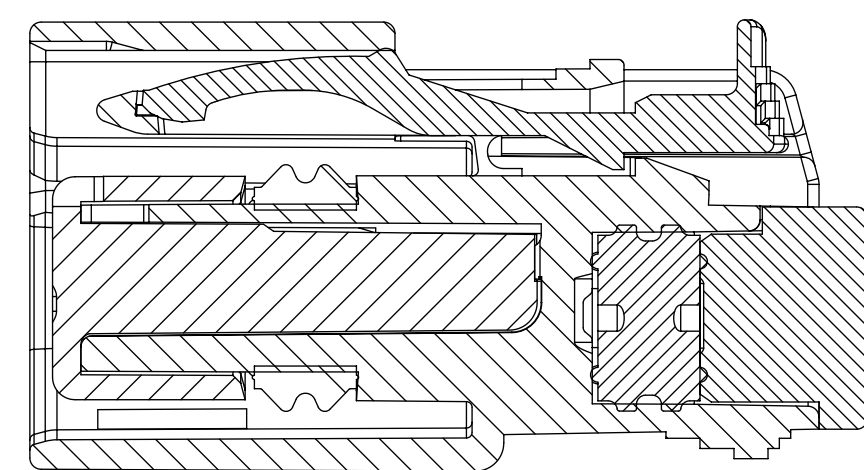
2.75±0.50

⑥



PRIMARY LOCK REINFORCEMENT (PLR) SHOWN  
IN PRE-STAGED POSITION

SECTION Z-Z



PRIMARY LOCK REINFORCEMENT (PLR) SHOWN  
IN FINAL-LOCK POSITION

SECTION X-X

FUNCTIONAL SYMBOLS	THIS DRAWING CONTAINS INFORMATION THAT IS PROPRIETARY TO MOLEX ELECTRONIC TECHNOLOGIES, LLC AND SHOULD NOT BE USED WITHOUT WRITTEN PERMISSION		CURRENT REV DESC:		
	FA = 0	mm	SCALE	3:1	
DIVISIONAL SYMBOLS	GENERAL TOLERANCES (UNLESS SPECIFIED)		EC NO: 643941		MX150 RCPT SINGLE ROW SEALED ASSY MAT SEAL PRODUCT CUSTOMER DRAWING
	FC = 0	ANGULAR TOL ± 1.0°	DRWN: XLDONG03 2020/08/21		
DIVISIONAL SYMBOLS	4 PLACES ±		CHK'D: JDENG02 2020/08/26		DOCUMENT NUMBER SD-33471-0001
	3 PLACES ±		APPR: JDENG02 2020/08/26		
DIVISIONAL SYMBOLS	2 PLACES ± 0.1		INITIAL REVISION:		DOC TYPE DOC PART REVISION PSD 001 A1
	1 PLACE ± 0.2		DRWN: APROFFITT 2015/11/04		
DIVISIONAL SYMBOLS	0 PLACES ±		APPR: KDEKOSKI 2016/06/14		MATERIAL NUMBER CUSTOMER SEE NOTE 2a GENERAL MARKET
	DRAFT WHERE APPLICABLE MUST REMAIN WITHIN DIMENSIONS		THIRD ANGLE PROJECTION		
DRAWING		SERIES		SHEET NUMBER	
D-SIZE		33471		5 OF 8	

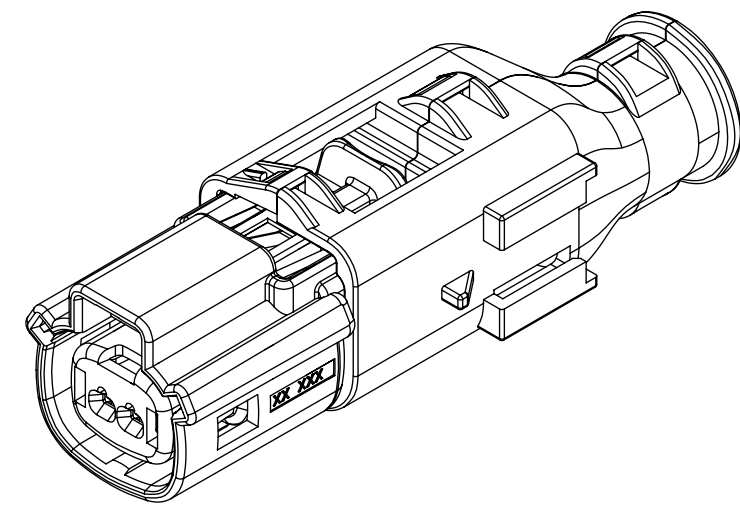
# SHEET DESCRIPTION

## BACKSHELL NOTES

BACKSHELL NOTES: VALID UNLESS OTHERWISE SPECIFIED

1. GENERAL:

- a. APPLICATION SPECIFICATION SEE: AS-34951-001
  - DESIGNED TO MATE WITH RECEPTACLE SEALED ASSEMBLY SPECIFIED IN MOLEX DRAWING SD-33471-0001.
  - SYSTEM TO BE USED WITH WIRE WITHIN DIAMETER RANGE OF 1.2mm TO 2.69mm.
  - COMPONENTS ARE OPTIONAL AND MUST BE PURCHASED SEPERATELY.
  - BACKSHELL DESIGN IS OWNED BY SCHLEMMER.
  - FOR ADDITIONAL INFORMATION SEE THE BACKSHELL COMPONENT DRAWING SD-34949-0001.



1X2

BACKSHELL CUSTOMER MODEL NUMBER LEGEND

34949-XXXX

CUSTOMER MODEL COMPONENTS

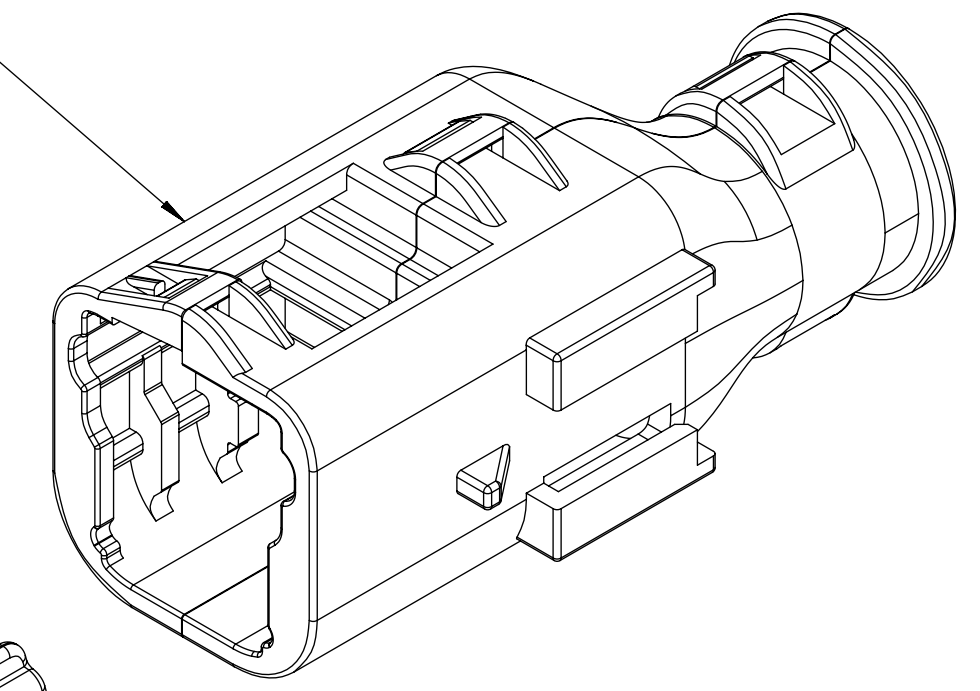
- 0 - BACKSHELL ONLY
- 1 - BACKSHELL & MX150 HOUSING KEY A ASSEMBLY
- 2 - BACKSHELL & MX150 HOUSING KEY B ASSEMBLY
- 3 - BACKSHELL & MX150 HOUSING KEY C ASSEMBLY
- 4 - BACKSHELL & MX150 HOUSING KEY D ASSEMBLY

BACKSHELL FEATURES

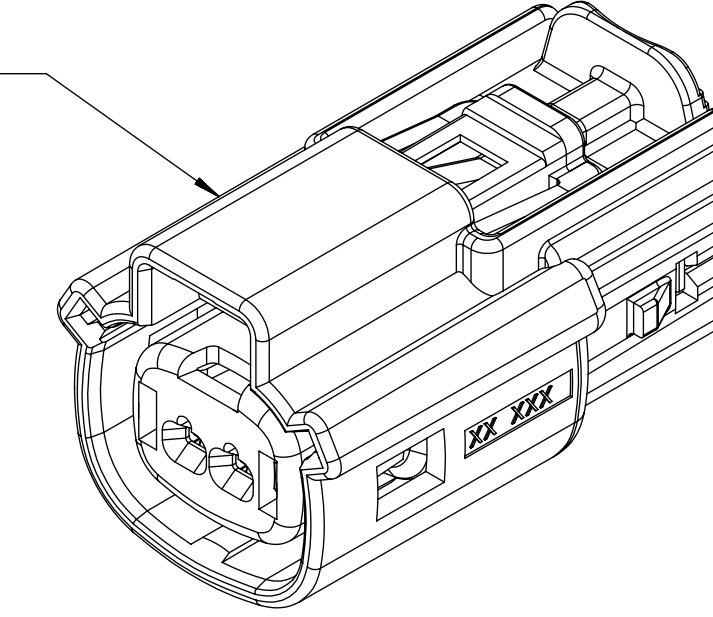
- 1 - WITH RIBS
- 2 - WITHOUT RIBS

MX150 CIRCUIT SIZE 02, 03, 04, 05, 06

BACKSHELL (BKS)



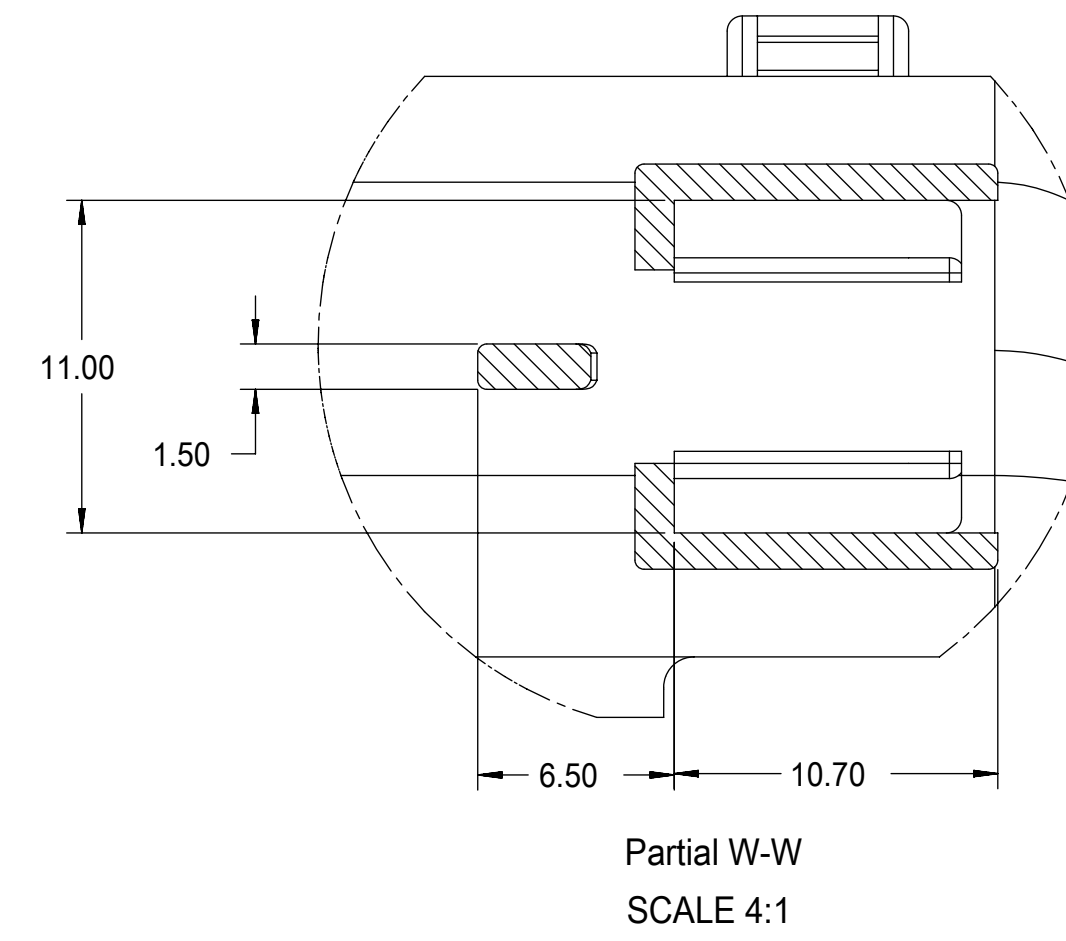
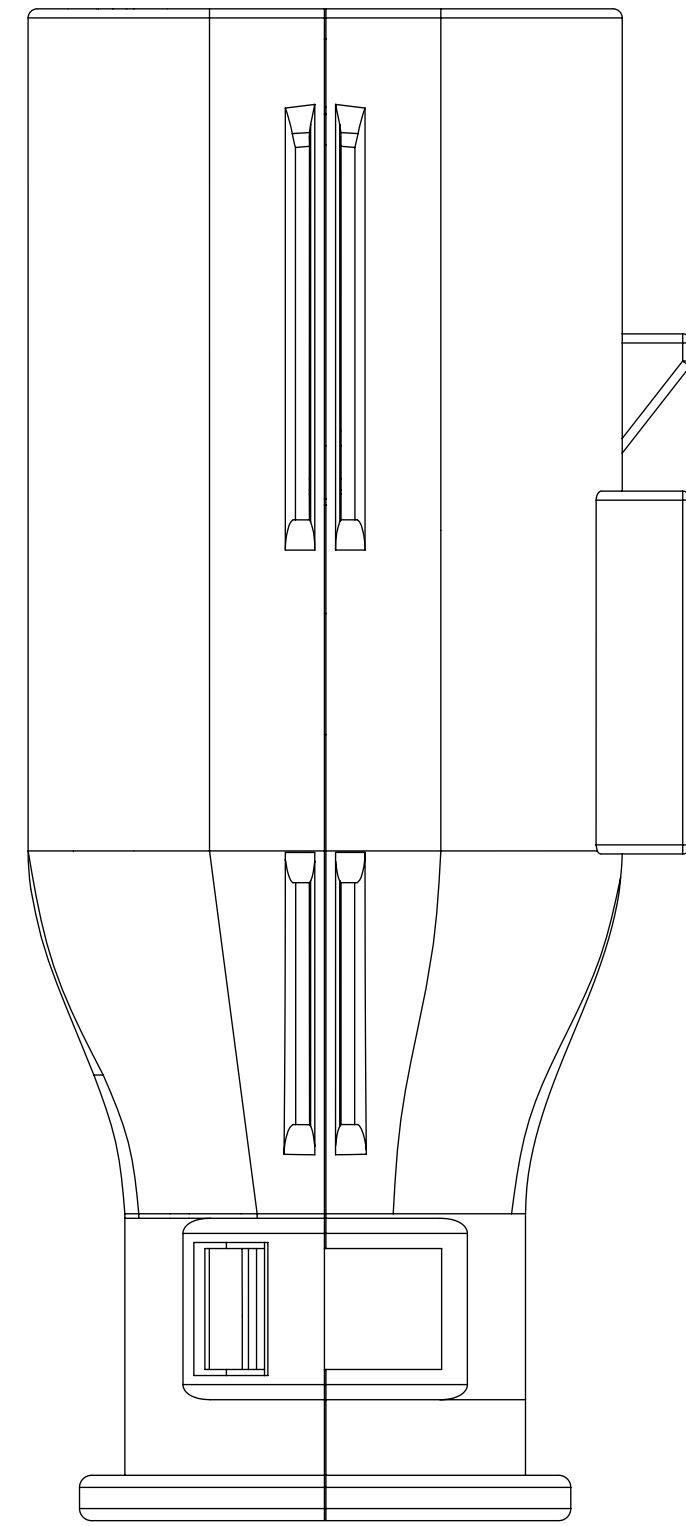
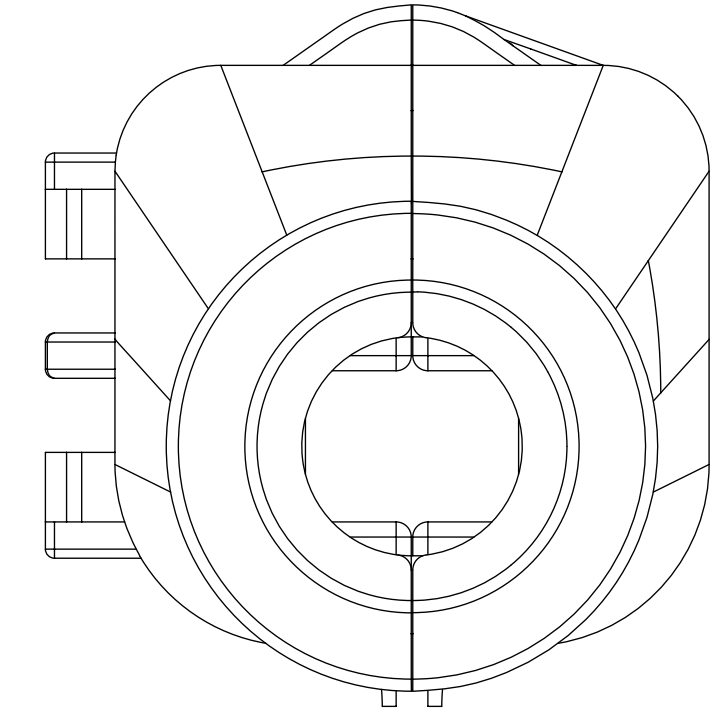
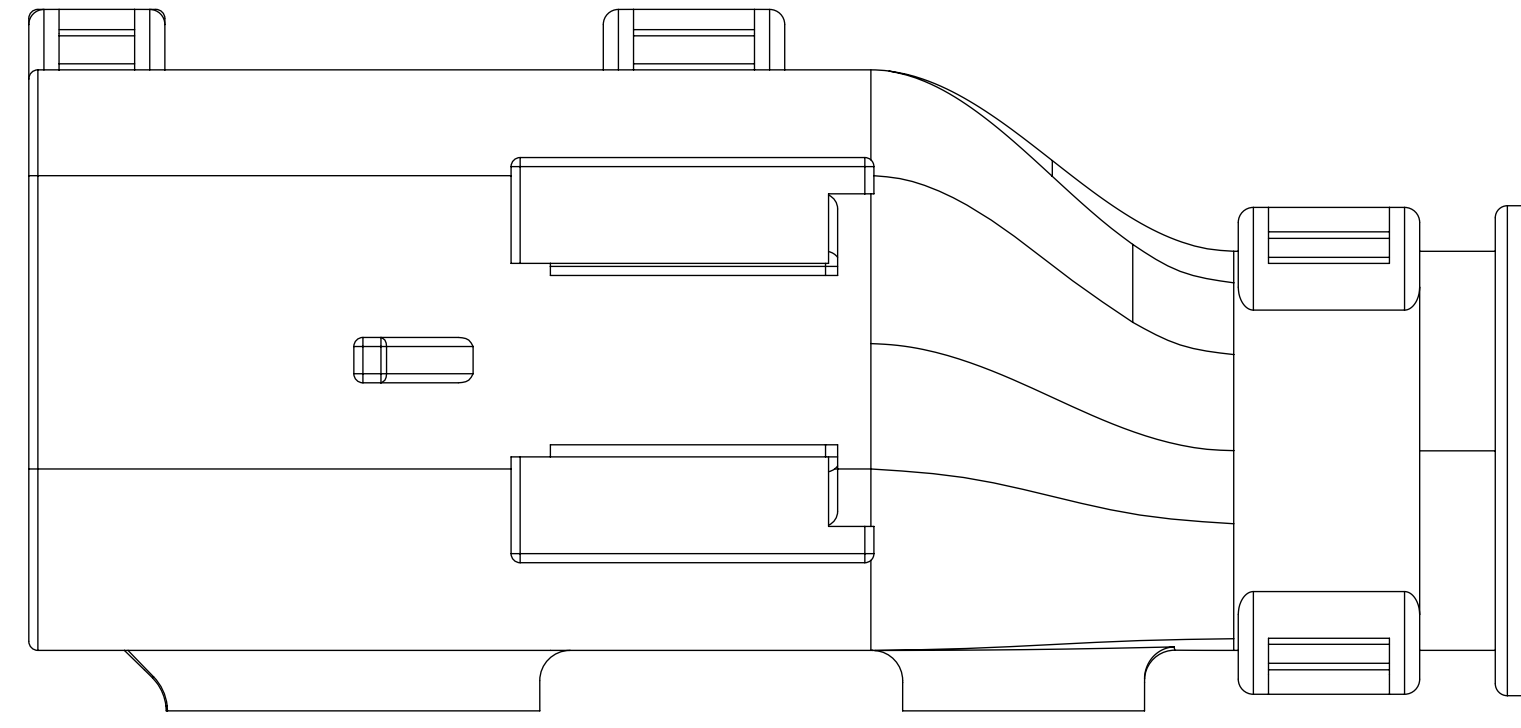
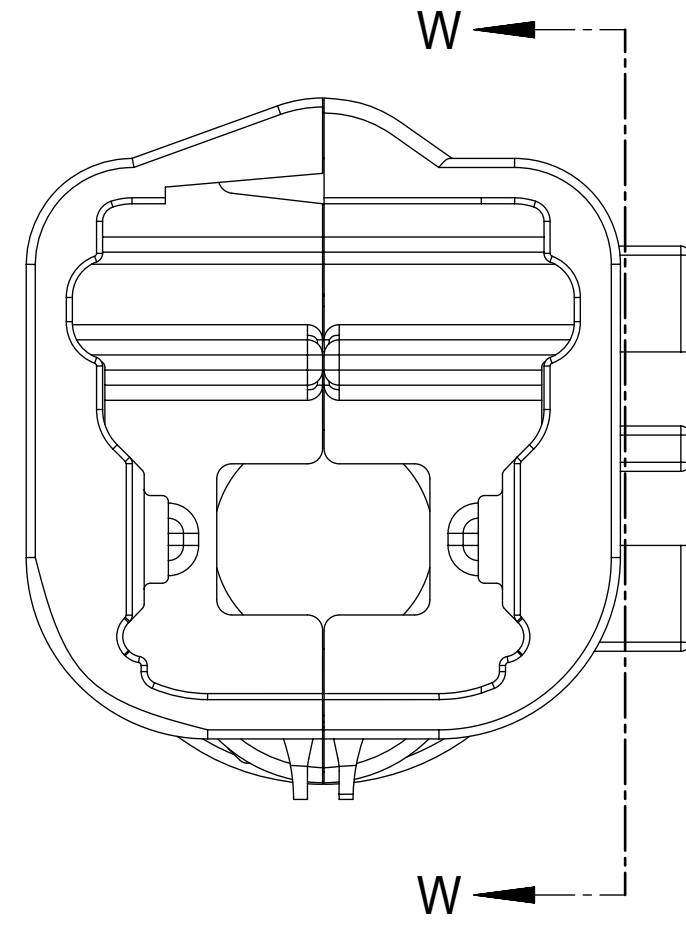
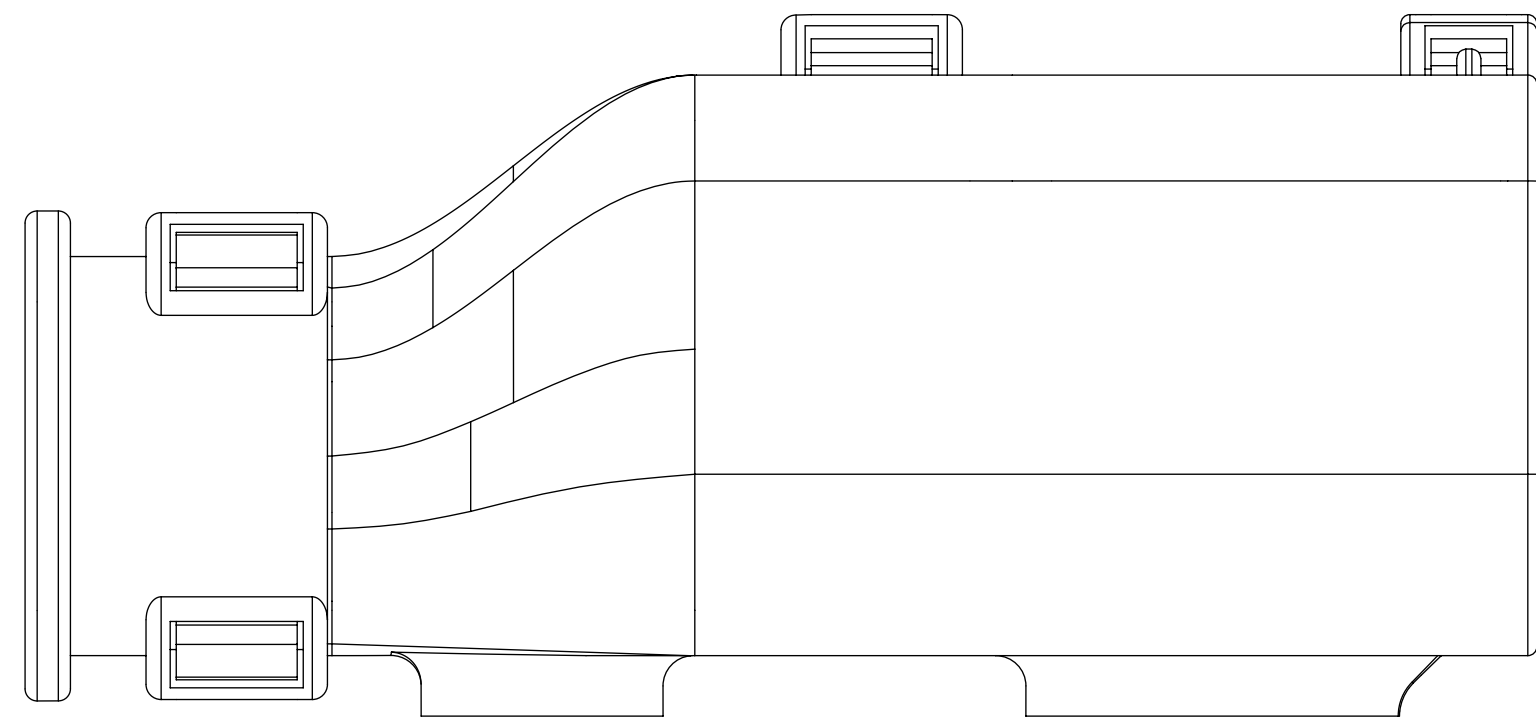
RECEPTACLE SEALED ASSEMBLY



FUNCTIONAL SYMBOLS	THIS DRAWING CONTAINS INFORMATION THAT IS PROPRIETARY TO MOLEX ELECTRONIC TECHNOLOGIES, LLC AND SHOULD NOT BE USED WITHOUT WRITTEN PERMISSION		
	DIMENSION UNITS	SCALE	CURRENT REV DESC:
$\nabla_A = 0$	mm	4:1	
$\nabla_C = 0$	GENERAL TOLERANCES (UNLESS SPECIFIED)		
$\nabla_D = 0$	ANGULAR TOL $\pm 1.0^\circ$		
DIVISIONAL SYMBOLS	4 PLACES	$\pm$	EC NO: 643941
	3 PLACES	$\pm$	DRWN: XLDONG03 2020/08/21
	2 PLACES	$\pm 0.1$	CHK'D: JDENG02 2020/08/26
	1 PLACE	$\pm 0.2$	APPR: JDENG02 2020/08/26
	0 PLACES	$\pm$	INITIAL REVISION: DRWN: APROFFITT 2015/11/04 APPR: KDEKOSKI 2016/06/14
DRAFT WHERE APPLICABLE MUST REMAIN WITHIN DIMENSIONS	THIRD ANGLE PROJECTION	DRAWING	SERIES
		D-SIZE	33471
DOCUMENT STATUS		RELEASE DATE	2020/08/26 07:23:52
P1			
DOCUMENT NUMBER		DOC TYPE	DOC PART
SD-33471-0001		PSD	001
MATERIAL NUMBER		CUSTOMER	REVISION
SEE NOTE 2a		GENERAL MARKET	A1
SHEET NUMBER		6 OF 8	

**SHEET DESCRIPTION**

BACKSHELL



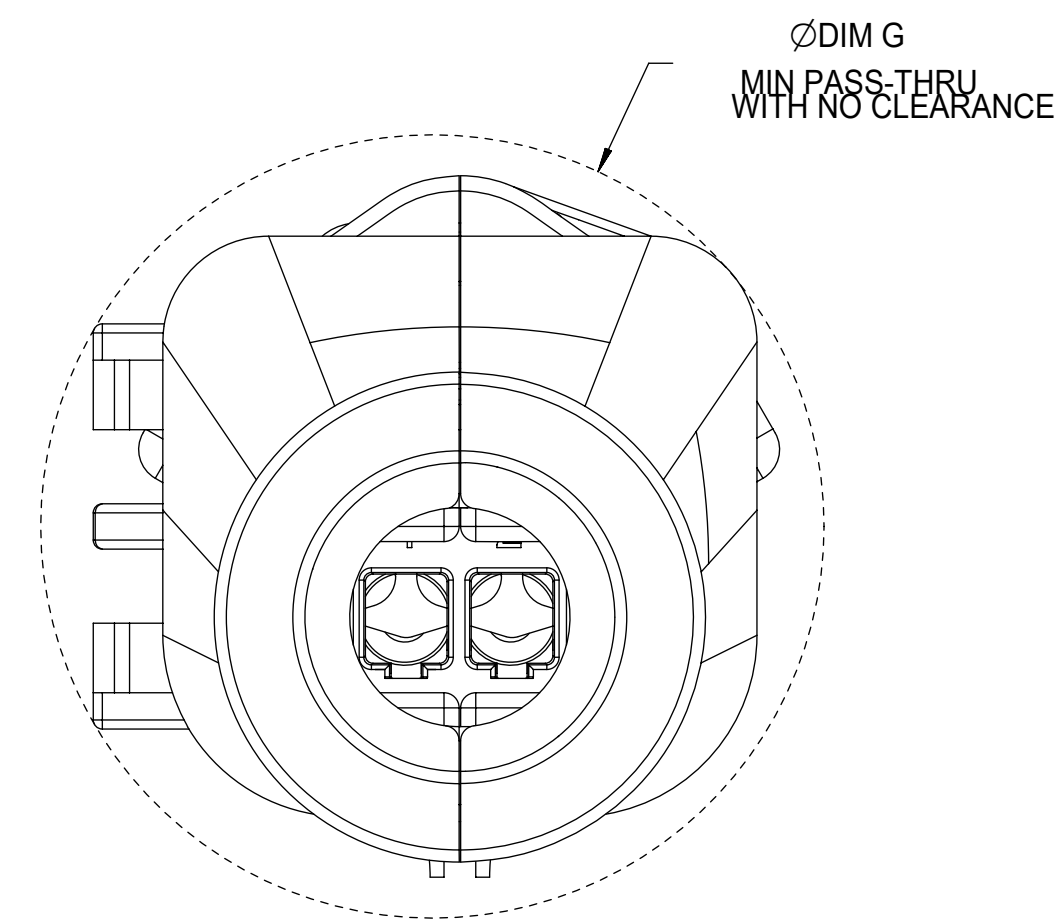
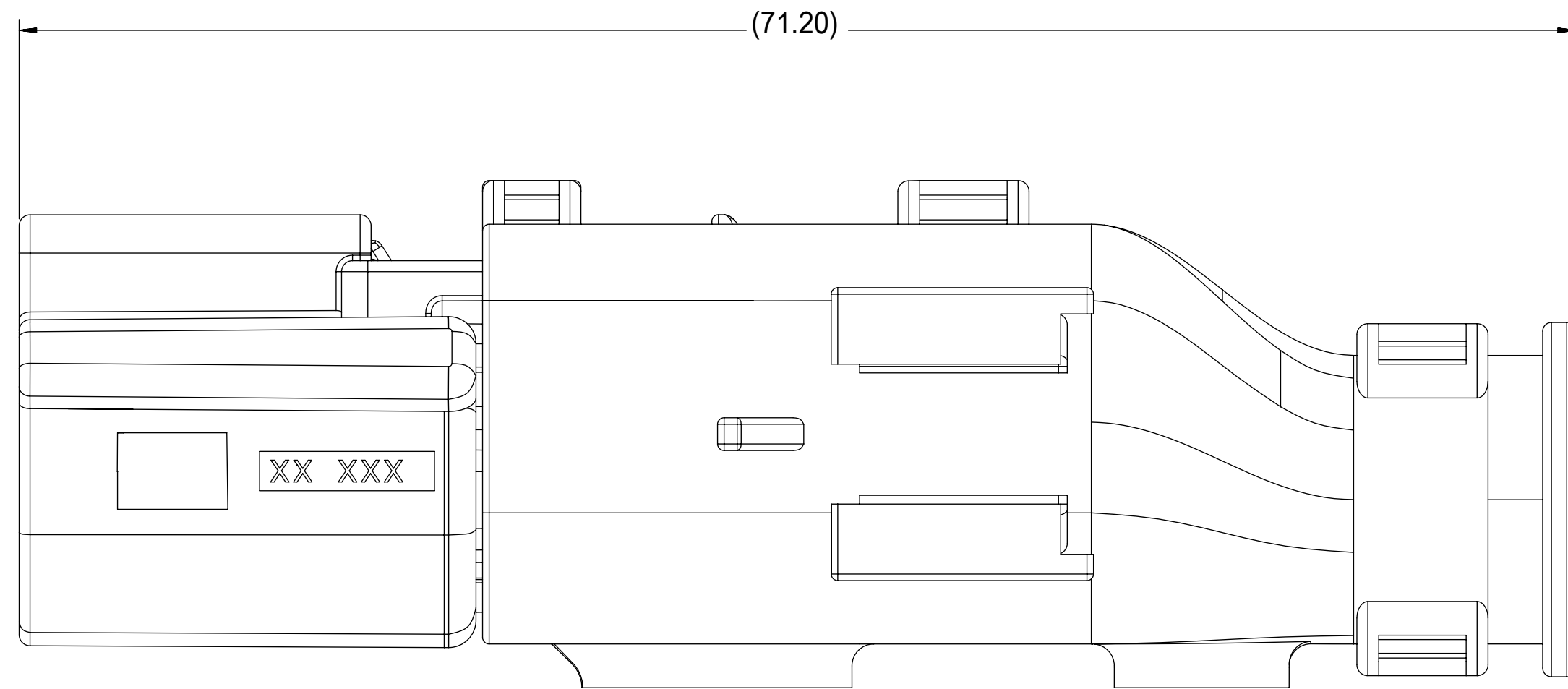
<b>FUNCTIONAL SYMBOLS</b> $F_A = 0$ $F_C = 0$ $F_P = 0$	THIS DRAWING CONTAINS INFORMATION THAT IS PROPRIETARY TO MOLEX ELECTRONIC TECHNOLOGIES, LLC AND SHOULD NOT BE USED WITHOUT WRITTEN PERMISSION		CURRENT REV DESC:					
	DIMENSION UNITS <b>mm</b>	SCALE <b>4:1</b>	EC NO: 643941 DRWN: XLDONG03 2020/08/21 CHK'D: JDENG02 2020/08/26 APPR: JDENG02 2020/08/26					MX150 RCPT SINGLE ROW SEALED ASSY MAT SEAL
	GENERAL TOLERANCES (UNLESS SPECIFIED)		INITIAL REVISION: DRWN: APROFFITT 2015/11/04 APPR: KDEKOSKI 2016/06/14		PRODUCT CUSTOMER DRAWING			
	ANGULAR TOL $\pm 1.0^\circ$		DRAFT WHERE APPLICABLE MUST REMAIN WITHIN DIMENSIONS		DOCUMENT NUMBER <b>SD-33471-0001</b>		DOC TYPE PSD	DOC PART 001
4 PLACES $\pm$ 3 PLACES $\pm$ 2 PLACES $\pm 0.1$ 1 PLACE $\pm 0.2$ 0 PLACES $\pm$		THIRD ANGLE PROJECTION 		DRAWING <b>D-SIZE</b>	SERIES <b>33471</b>	MATERIAL NUMBER SEE NOTE 2a	CUSTOMER GENERAL MARKET	SHEET NUMBER 7 OF 8

**SHEET DESCRIPTION**

BACKSHELL CONFIGURATIONS

**CHARTED DIMENSIONS**

DESCRIPTION	DIMENSIONS
	G
1X2	

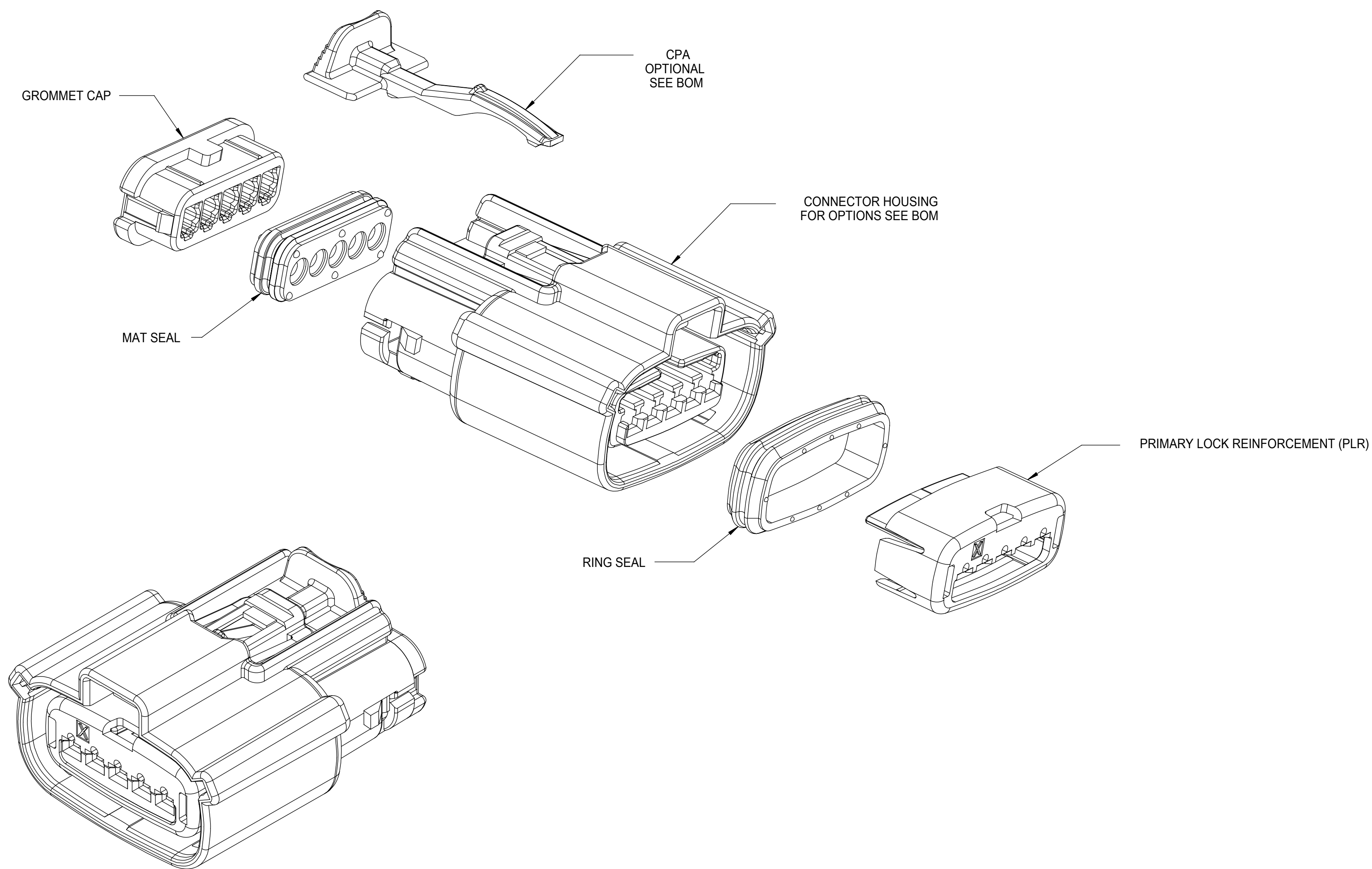


RECEPTACLE SEALED ASSEMBLY WITH RECEPTACLE BACKSHELL

FUNCTIONAL SYMBOLS FA = 0 FC = 0 FD = 0	THIS DRAWING CONTAINS INFORMATION THAT IS PROPRIETARY TO MOLEX ELECTRONIC TECHNOLOGIES, LLC AND SHOULD NOT BE USED WITHOUT WRITTEN PERMISSION		CURRENT REV DESC:				
	DIMENSION UNITS mm	SCALE 4:1					
DIVISIONAL SYMBOLS	GENERAL TOLERANCES (UNLESS SPECIFIED)		EC NO: 643941		MX150 RCPT SINGLE ROW SEALED ASSY MAT SEAL  PRODUCT CUSTOMER DRAWING		
	ANGULAR TOL ± 1.0°		DRWN: XLDONG03 2020/08/21				
	4 PLACES ±	CHK'D: JDENG02 2020/08/26		DOCUMENT NUMBER <b>SD-33471-0001</b>			
	3 PLACES ±	APPR: JDENG02 2020/08/26					
	2 PLACES ± 0.1	INITIAL REVISION: DRWN: APROFFITT 2015/11/04 APPR: KDEKOSKI 2016/06/14					
1 PLACE ± 0.2	DRAFT WHERE APPLICABLE MUST REMAIN WITHIN DIMENSIONS		DOC TYPE PSD	DOC PART 001	REVISION A1		
0 PLACES ±	THIRD ANGLE PROJECTION		DRAWING D-SIZE	SERIES 33471	MATERIAL NUMBER SEE NOTE 2a	CUSTOMER GENERAL MARKET	SHEET NUMBER 8 OF 8



TABLE OF CONTENTS	
SHEET NO.	SHEET DESCRIPTION
1	NOTES
2	KEY CONFIGURATIONS
3	RECEPTACLE SEALED ASSEMBLY
4	BOM



NOTES: VALID UNLESS OTHERWISE SPECIFIED

1. GENERAL:
  - a. APPLICATION SPECIFICATION SEE: AS-33472-100
    - CONTAINS: PRODUCT INTRODUCTION, PRODUCT SUMMARY, CONNECTOR ASSEMBLY, PACKAGING INFORMATION, CONNECTOR MATING, SERVICE INSTRUCTIONS, ELECTRICAL CONTINUITY CHECKING, CRIMPING, AND TROUBLESHOOTING.
    - DESIGNED TO MATE WITH DEVICE CONNECTION AS SPECIFIED IN DRAWING EWCAP 150-S-005-1-Z03, AVAILABLE AT <http://ewcap.uscarteams.org/>.
    - DESIGNED TO MATE WITH BLADE SEALED ASSEMBLY AS SPECIFIED IN DRAWING SD-33481-051
    - FOR 1.5mm RECEPTACLE TERMINALS TO BE USED WITH THIS ASSEMBLY. SEE MOLEX DRAWING SD-33012-002.
    - SYSTEM TO BE USED WITH WIRE WITHIN DIAMETER RANGE OF 1.2mm TO 2.69mm.
    - ASSEMBLY SHIPPED WITH PLR AND CPA IN PRE-LOCK POSITION (SEE SECTION Z-Z PRE-LOCK).
    - IN THE EVENT THAT THE PLR IS FOUND IN THE SEATED (FINAL LOCK) POSITION, REFER TO MOLEX SPECIFICATION PS-34646-001, AVAILABLE AT www.molex.com <http://www.molex.com>.
    - ASSEMBLY CONFORMS TO SAE/USCAR-2 REV.4 WITH THE FOLLOWING EXCEPTIONS:
      - ENGAGEMENT FORCE TO MOVE CPA FROM PRE-LOCK TO FINAL LOCK POSITION WHEN UNMATED: 40N MIN.
      - DISENGAGEMENT FORCE TO MOVE CPA FROM FINAL LOCK TO PRE-LOCK POSITION: 3N MIN, 40N MAX
      - TERMINAL INSERTION FORCE FOR WIRE DIAMETER ABOVE 2.5mm NOT EXCEEDING 2.69mm SHALL NOT EXCEED 40 NEWTONS.
  - b. PRODUCT SPECIFICATION SEE: PS-33471-000
    - CONTAINS: PRODUCT INTRODUCTION, PRODUCT SUMMARY, RATINGS (CURRENT, TEMPERATURE, SEALING, AND FLAMMABILITY), AND PRODUCT VALIDATION.
  - c. PACKAGING SPECIFICATION PER MOLEX DRAWING: PK-31300-903
  - d. PARTS MUST BE IN COMPLIANCE TO MOLEX CHEMICAL SUBSTANCES FOR PRODUCTS AND PACKAGING SPECIFICATION: ES-40000-5016
  - e. DATA MUST BE SUBMITTED UNDER THE MOLEX PART NUMBER TO IMDS (COMPANY ID#13255)
2. DESIGN - MATERIALS:
  - a. SEE BOM TABLE
3. DESIGN - GEOMETRY:
  - a. THIS IS A 100% CAD GENERATED PART. THE CAD MATHEMATICAL DATA IS THE MASTER FOR THIS PART. FOR DIMENSIONAL OR ANY INFORMATION NOT SHOWN ON THIS DRAWING, ANALYZE THE CAD MODEL.
  - b. GEOMETRIC DIMENSIONS AND TOLERANCES PER ASME Y14.5M - 1994
  - c. EDGES AND UNDIMENSIONED DETAILS PER ISO13715
  - d. CORNERS SHOWN AS SHARP TO BE R 0.2 MAX.
  - e. LETTERING SHALL BE 0.15 MAX RAISED IN 0.25 MAX RECESS PAD. THIS INCLUDES RECYCLING CODE, CAVITY ID, VENDOR IDENTIFICATION, AND CUSTOMER MATERIAL NUMBER.
  - f. VISUAL DEFECTS SHALL MEET COSMETIC STANDARD PS-45499-002 (Class B)
  - g. LASER MARKING: TBD

M8	UPDATED THE DRAWING FRAME
M7	ADD NEW P/N 33471-0542
M6	CHANGE THE STATUS TO SALEABLE FROM TOOLED BUT NOT VALIDATED FOR DK GREY AND ST GREY
M5	UPDATE 33471-0503 33471-0504 33471-0508 33471-0509 PRODUCTION STATUS
M4	UPDATED SHEET 3 NOMENCLATURE
M3	UPDATED PACKAGING DIMENSIONS
M2	UPDATED COMPONENT BOM
M1	UPDATED WIRE DIAMETER RANGE
M	UPDATED NOTE 1c
L	UPDATE PER PRODUCTION DESIGN
REV	DESCRIPTION

INSPECTION BALLOON NUMBER LOG

PER DRAWING REVISION: M3

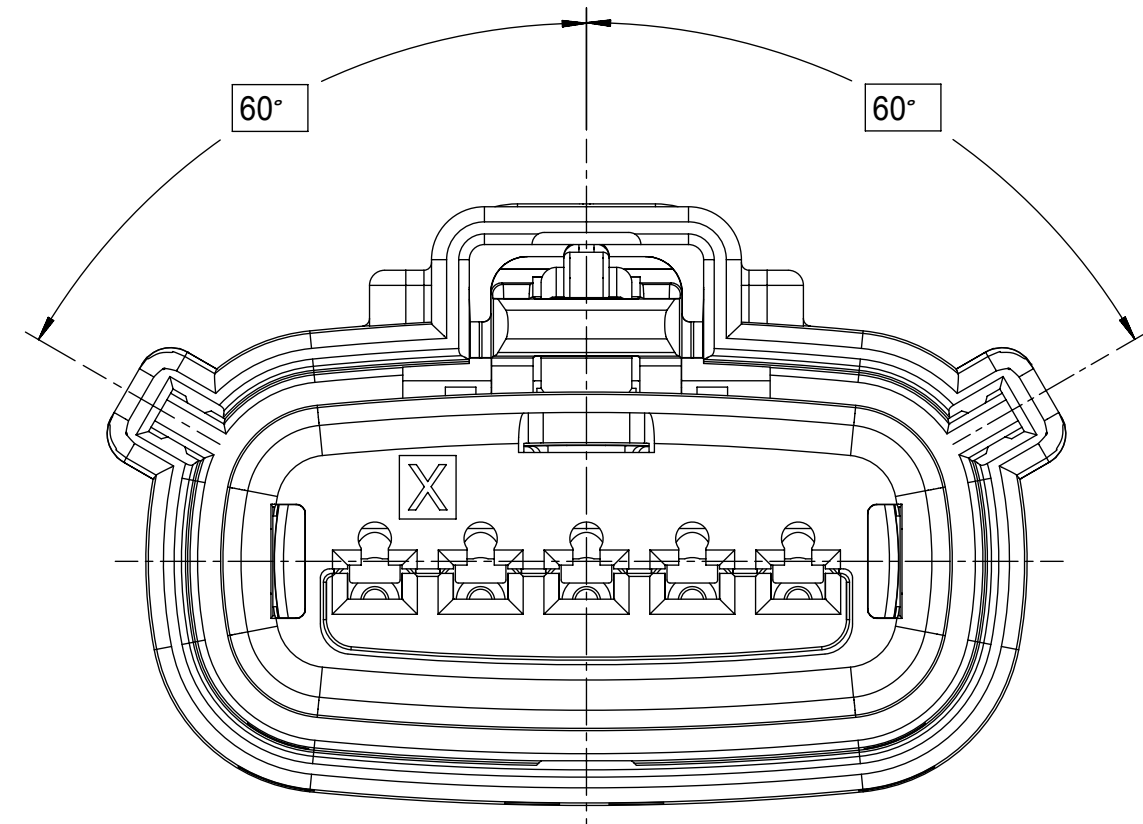
LAST BALLOON NUMBER USED: 4

ADDED BALLOON NUMBERS: 1a, 2a

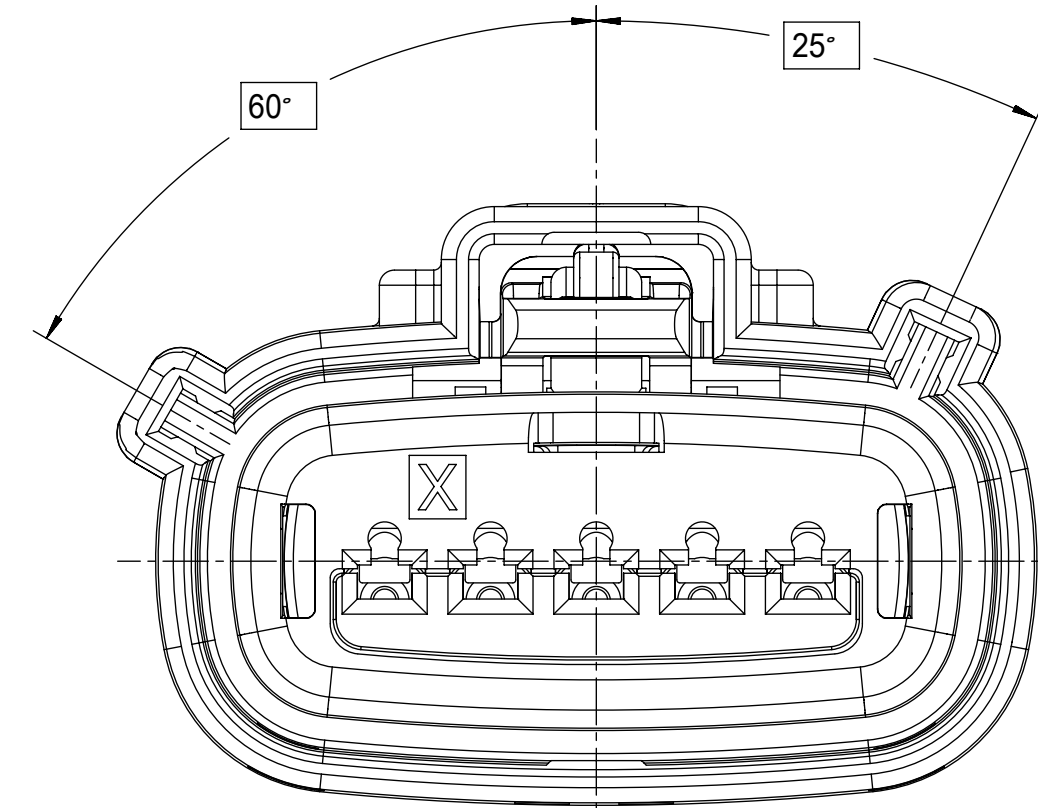
REMOVED BALLOON NUMBERS:

FUNCTIONAL SYMBOLS	THIS DRAWING CONTAINS INFORMATION THAT IS PROPRIETARY TO MOLEX ELECTRONIC TECHNOLOGIES, LLC AND SHOULD NOT BE USED WITHOUT WRITTEN PERMISSION		CURRENT REV DESC:		<b>molex</b>
	DIMENSION UNITS	SCALE			
$\frac{F}{A} = 0$	mm	3:1			MX150 1X5 RECEPTACLE SEALED ASSEMBLY MAT SEAL
$\frac{F}{C} = 0$	GENERAL TOLERANCES (UNLESS SPECIFIED)				
$\frac{F}{P} = 0$	ANGULAR TOL $\pm 3.0^\circ$				PRODUCT CUSTOMER DRAWING
DIVISIONAL SYMBOLS	4 PLACES	$\pm$	EC NO: 643941		
	3 PLACES	$\pm$	DRWN: XLDONG03	2020/08/21	
	2 PLACES	$\pm 0.1$	CHK'D: JDENG02	2020/08/26	
	1 PLACE	$\pm 0.2$	APPR: JDENG02	2020/08/26	
	0 PLACES	$\pm$	INITIAL REVISION:		
	DRAFT WHERE APPLICABLE MUST REMAIN WITHIN DIMENSIONS		DRWN: MDICK	2012/06/01	
	THIRD ANGLE PROJECTION		APPR: VKOSHY	2012/06/01	
	D-DRAWING		SERIES		
	D-SIZE		33471		
	MATERIAL NUMBER		CUSTOMER		
	SEE BOM		GENERAL MARKET		
	DOCUMENT NUMBER		DOC TYPE	DOC PART	REVISION
	SD-33471-051		PSD	001	M8
	SHEET NUMBER				
	1 OF 5				

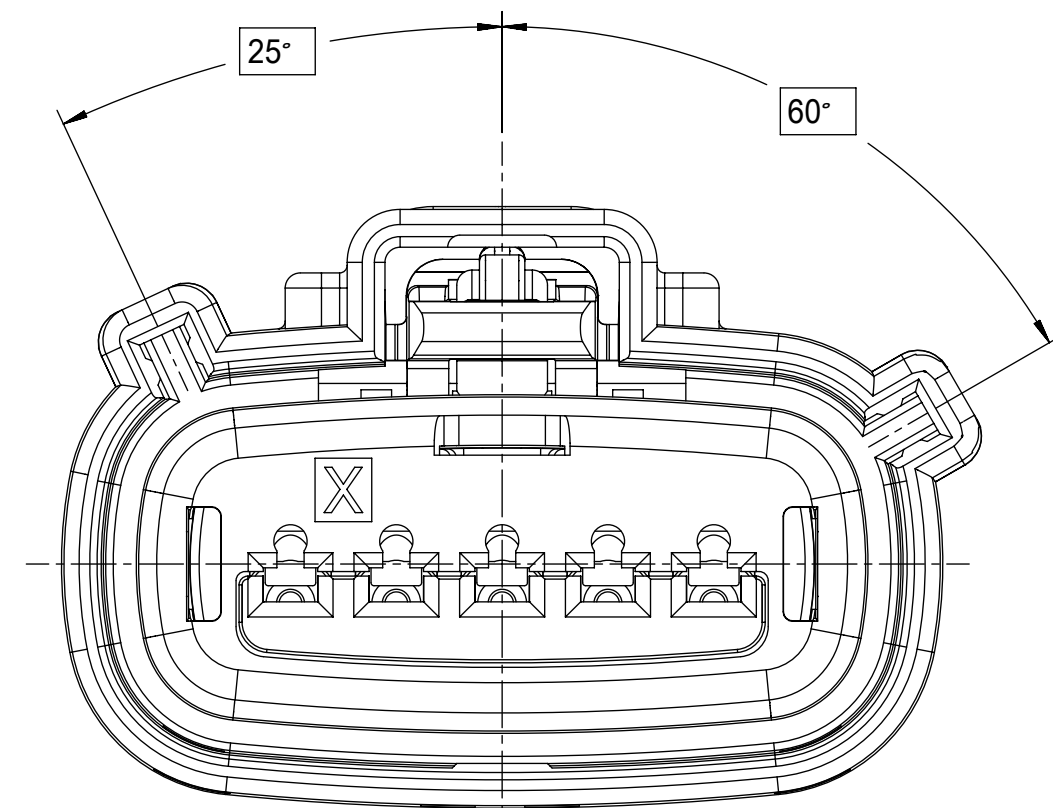
KEY CONFIGURATIONS



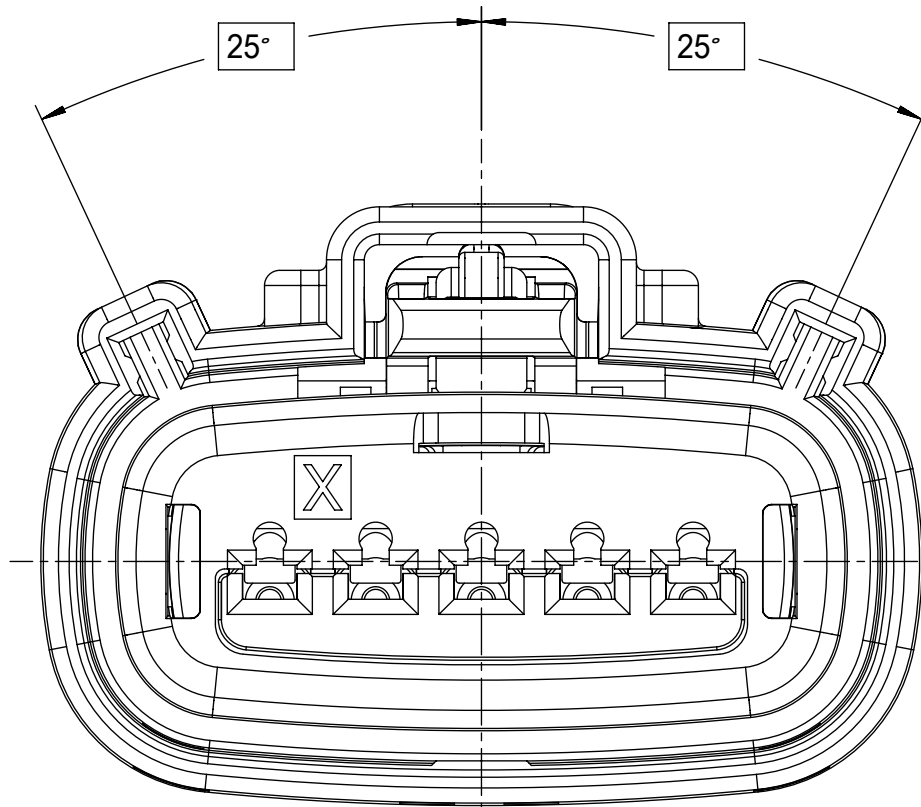
KEY A



KEY B

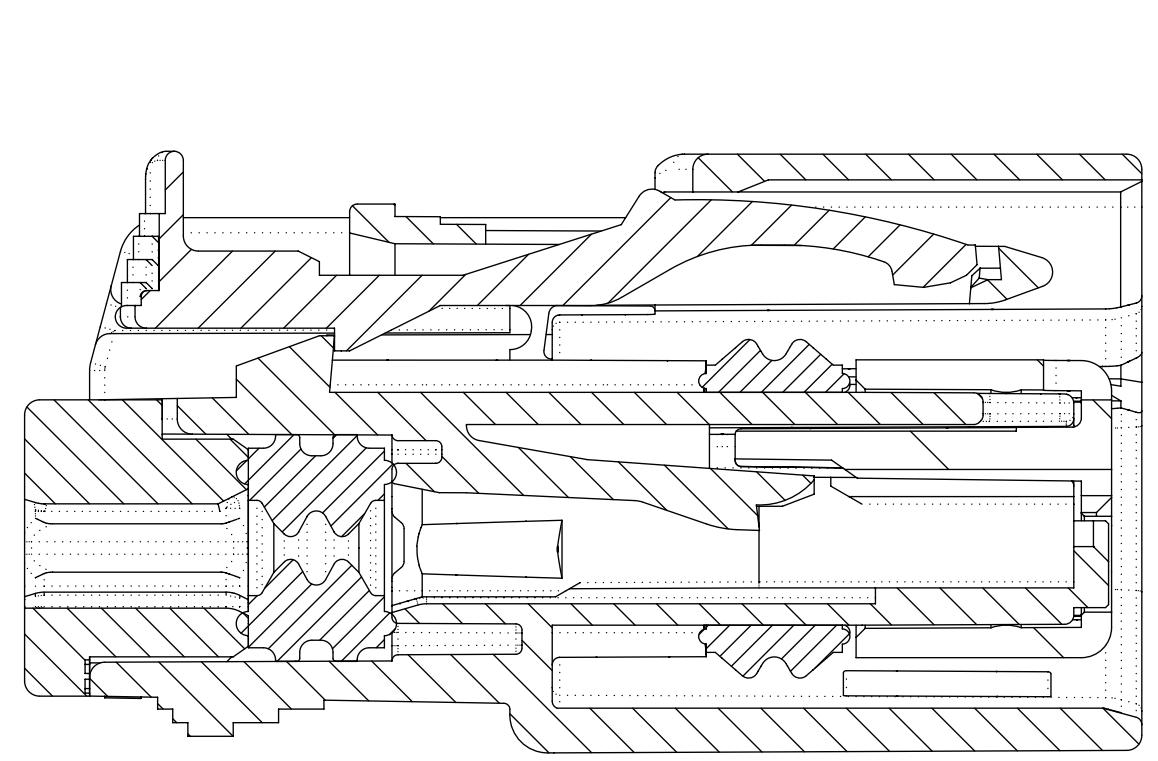
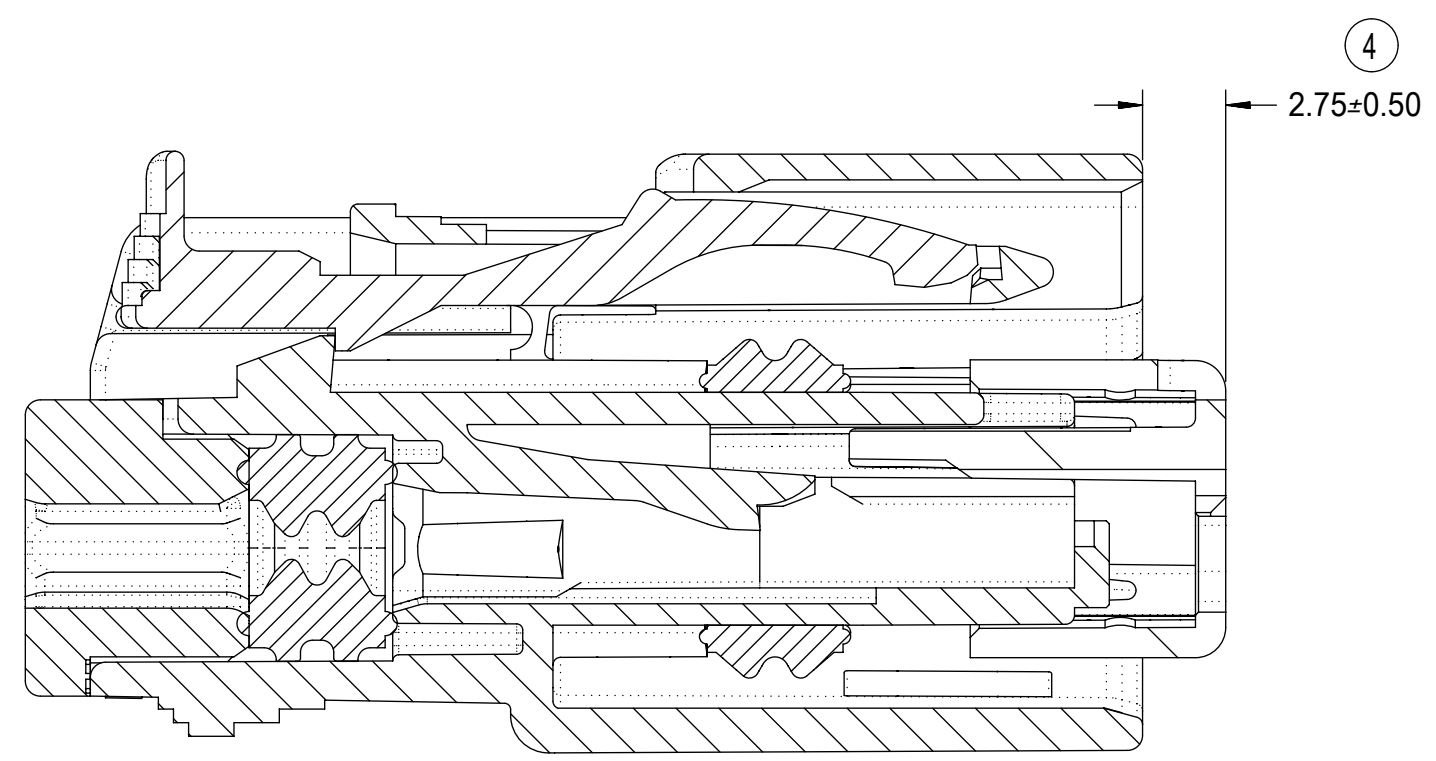
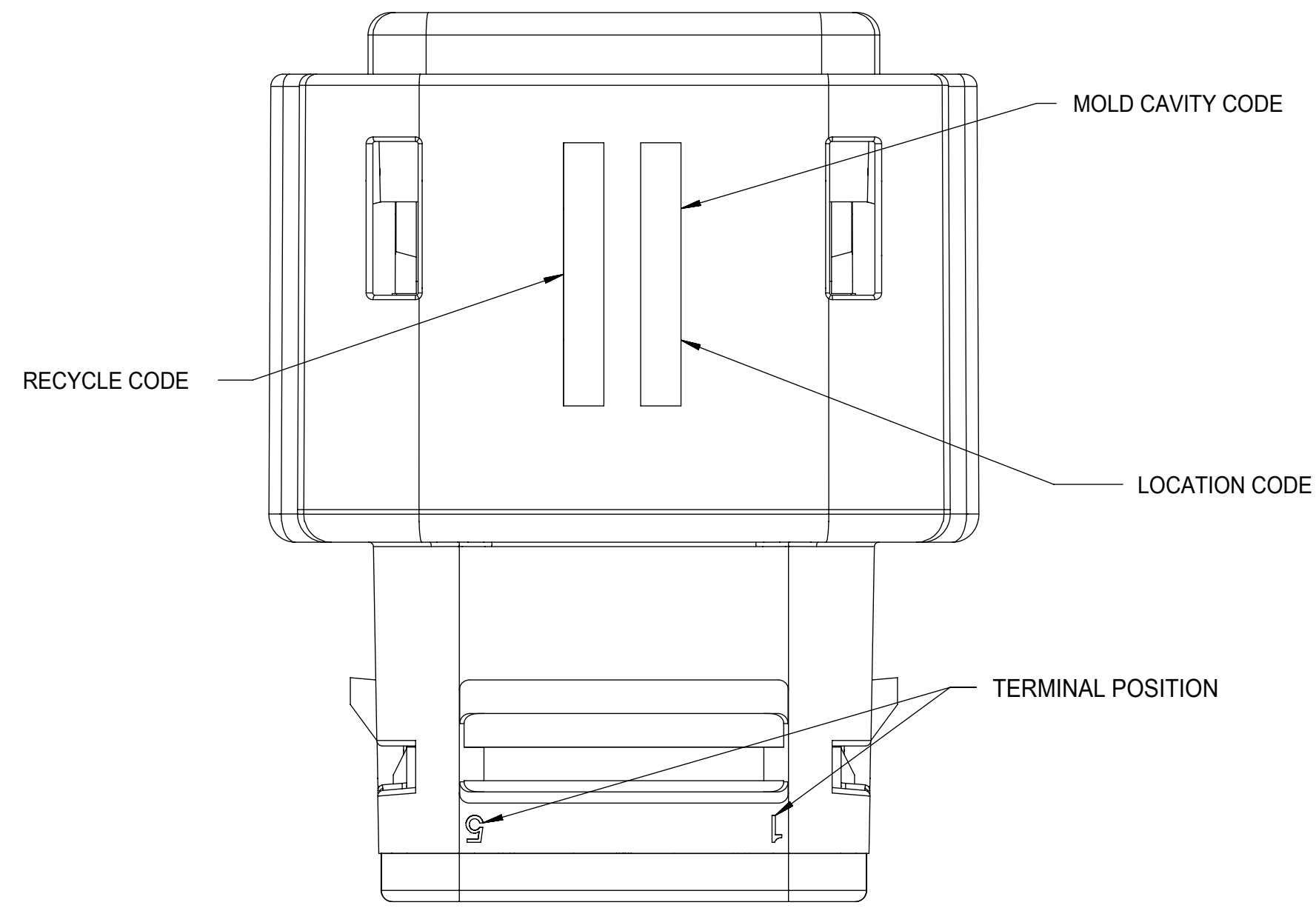
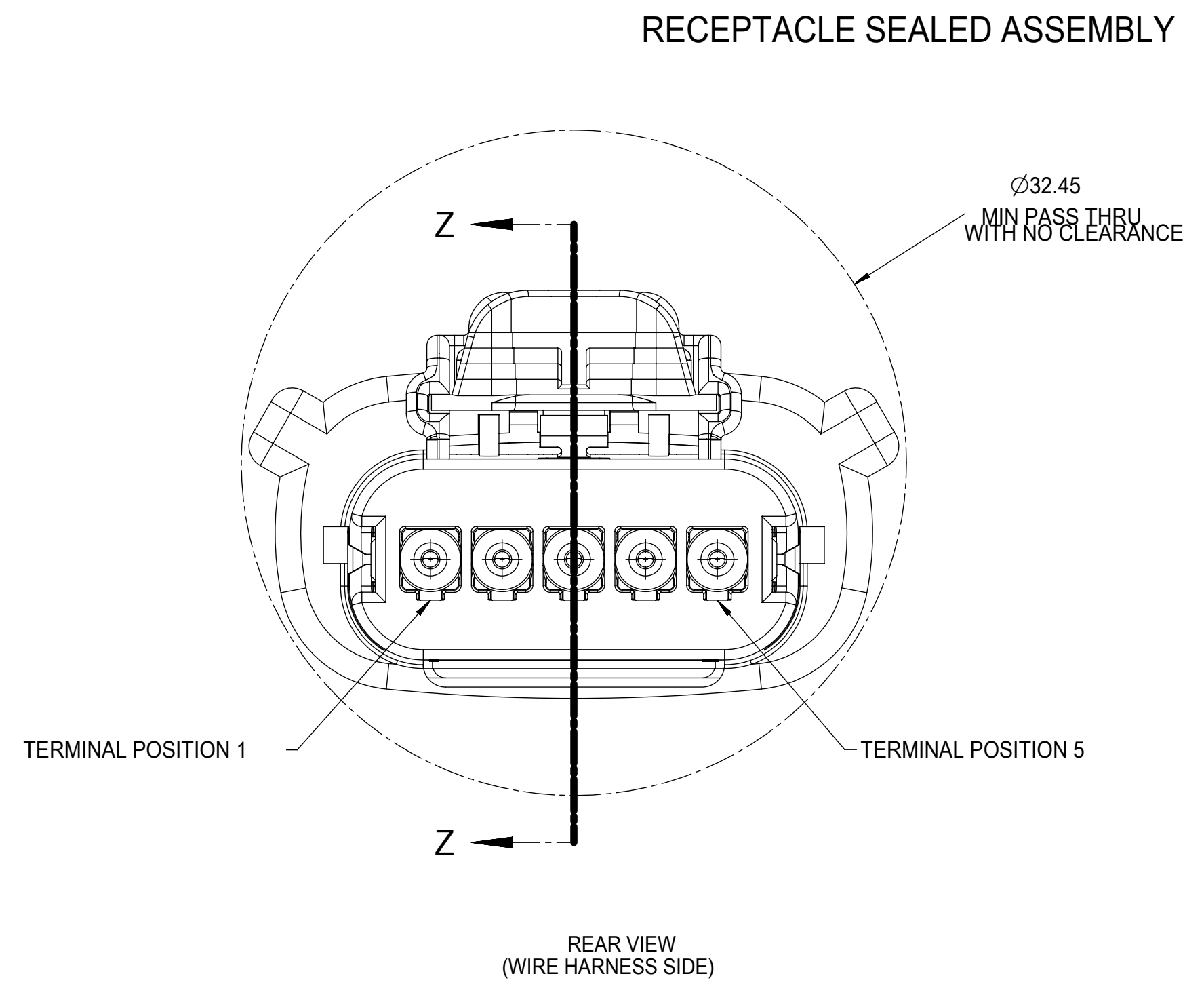
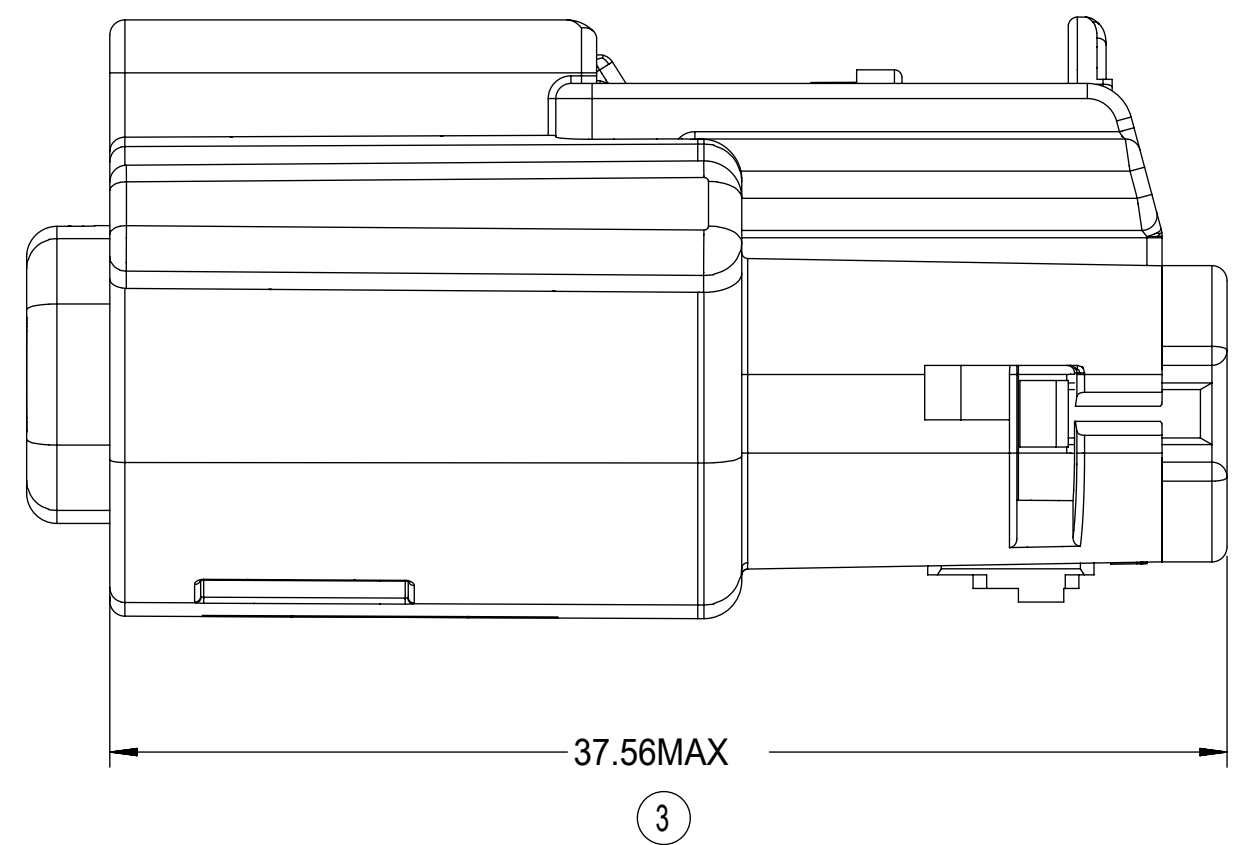
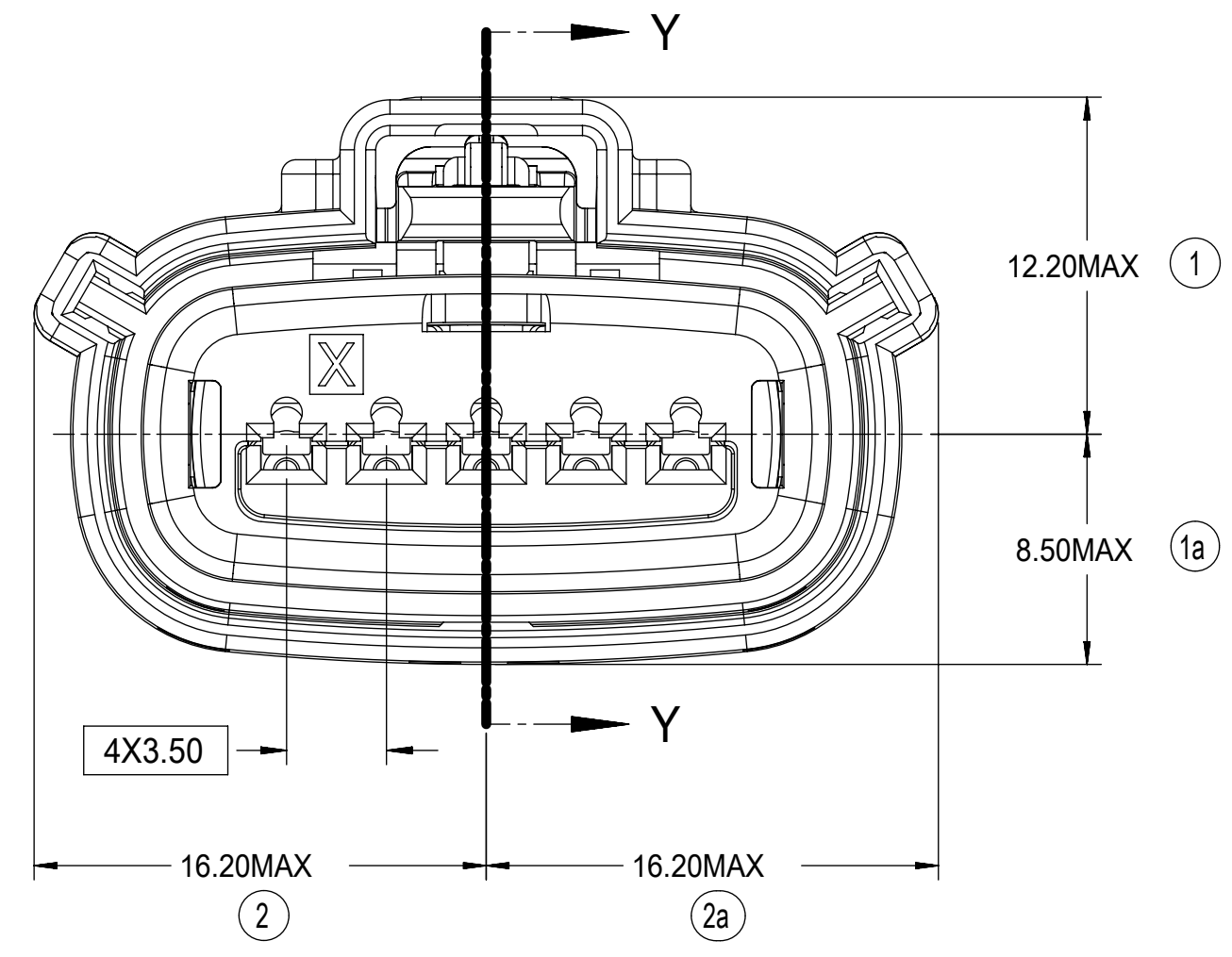
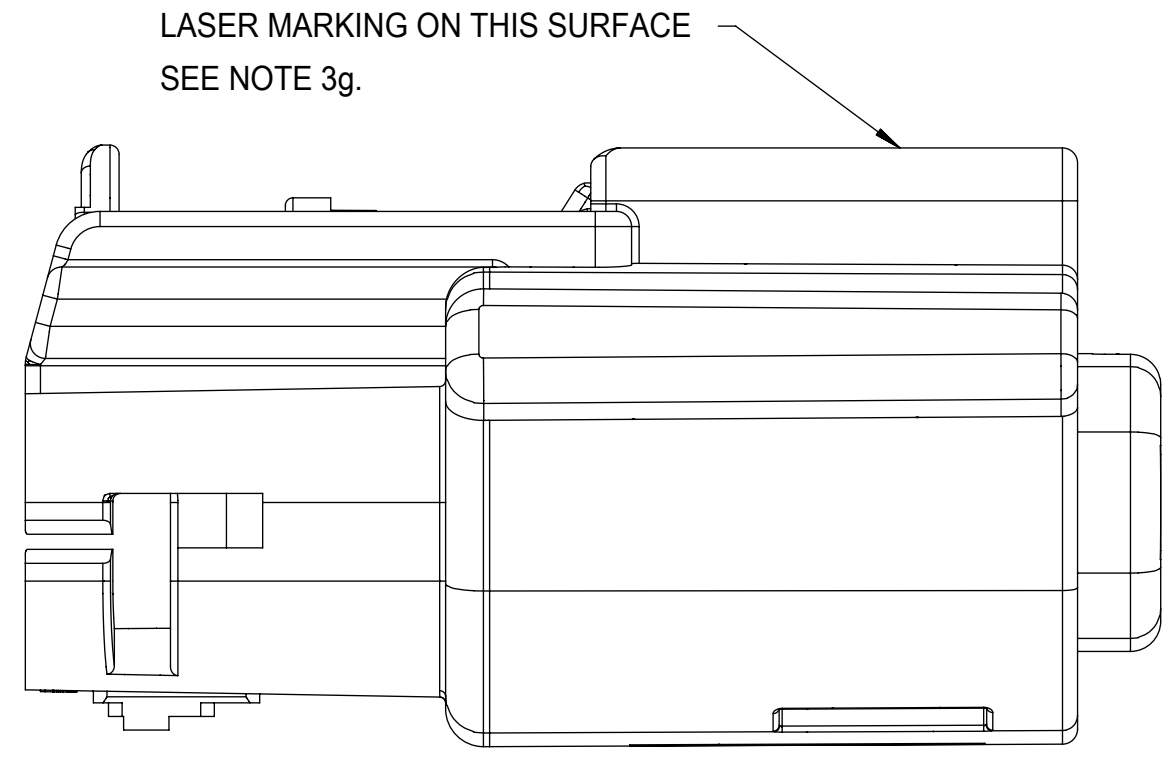


KEY C



KEY D

FUNCTIONAL SYMBOLS	THIS DRAWING CONTAINS INFORMATION THAT IS PROPRIETARY TO MOLEX ELECTRONIC TECHNOLOGIES, LLC AND SHOULD NOT BE USED WITHOUT WRITTEN PERMISSION		
	DIMENSION UNITS	SCALE	CURRENT REV DESC:
$\nabla_A = 0$	mm	4:1	EC NO: 643941 DRWN: XLDONG03 2020/08/21 CHK'D: JDENG02 2020/08/26 APPR: JDENG02 2020/08/26 INITIAL REVISION: DRWN: MDICK 2012/06/01 APPR: VKOSHY 2012/06/01
$\nabla_C = 0$	GENERAL TOLERANCES (UNLESS SPECIFIED)		
$\nabla_D = 0$	ANGULAR TOL $\pm 3.0^\circ$		
DIVISIONAL SYMBOLS	4 PLACES	$\pm$	
	3 PLACES	$\pm$	DOCUMENT NUMBER <b>SD-33471-051</b>
	2 PLACES	$\pm 0.1$	
	1 PLACE	$\pm 0.2$	DOC PART 001
	0 PLACES	$\pm$	REVISION M8
DRAFT WHERE APPLICABLE MUST REMAIN WITHIN DIMENSIONS		THIRD ANGLE PROJECTION	DRAWING <b>D-SIZE</b>
		SERIES 33471	MATERIAL NUMBER SEE BOM
		CUSTOMER GENERAL MARKET	SHEET NUMBER 2 OF 5



<b>FUNCTIONAL SYMBOLS</b> FA = 0 FE = 0 FP = 0 <b>DIVISIONAL SYMBOLS</b>	THIS DRAWING CONTAINS INFORMATION THAT IS PROPRIETARY TO MOLEX ELECTRONIC TECHNOLOGIES, LLC AND SHOULD NOT BE USED WITHOUT WRITTEN PERMISSION		<b>CURRENT REV DESC:</b>					
	<b>DIMENSION UNITS</b> mm	<b>SCALE</b> 4:1	<b>GENERAL TOLERANCES (UNLESS SPECIFIED)</b>					
	<b>ANGULAR TOL</b> ± 3.0°		EC NO: 643941 DRWN: XLDONG03 2020/08/21 CHK'D: JDENG02 2020/08/26 APPR: JDENG02 2020/08/26	PRODUCT CUSTOMER DRAWING				
	4 PLACES ± 3 PLACES ± 2 PLACES ± 0.1 1 PLACE ± 0.2 0 PLACES ±	<b>INITIAL REVISION:</b> DRWN: MDICK 2012/06/01 APPR: VKOSHY 2012/06/01		DOCUMENT NUMBER <b>SD-33471-051</b>		DOC TYPE PSD	DOC PART 001	REVISION M8
	DRAFT WHERE APPLICABLE MUST REMAIN WITHIN DIMENSIONS	THIRD ANGLE PROJECTION 	DRAWING <b>D-SIZE</b>	SERIES <b>33471</b>		MATERIAL NUMBER SEE BOM	CUSTOMER GENERAL MARKET	SHEET NUMBER 3 OF 5

PRIMARY LOCK REINFORCEMENT (PLR) SHOWN IN PRE-STAGED POSITION  
SECTION Z-Z

PRIMARY LOCK REINFORCEMENT (PLR) SHOWN IN FINAL-LOCK POSITION  
SECTION Y-Y


ASSEMBLY DESCRIPTION	ASSEMBLY PART NUMBER	A	B	C	D	C	D	GCO	GCP	CPA	1	2	3	4	5	STATUS	COMMENTS
KEY A W/ CPA, BLACK	33471-0541	A							GCP	CPA						SALEABLE	
KEY D W/ CPA, STONE GRAY	33471-0540							D	GCO	CPA						SALEABLE	
KEY C W/ CPA, DARK GRAY	33471-0539					C			GCO	CPA						SALEABLE	
KEY D, STONE GRAY	33471-0538							D	GCO							SALEABLE	
KEY C, DARK GRAY	33471-0537					C			GCO							SALEABLE	
KEY A W/ CPA, BLACK	33471-0536	A							GCP	CPA		2		4		SALEABLE	
VOID KEY	33471-0535																
KEY D, GREEN	33471-0534					D			GCP		1	2	3	4	5	OBSOLETE	
KEY C, BROWN	33471-0533					C			GCP		1	2	3	4	5	OBSOLETE	
KEY B, LIGHT GRAY	33471-0532					B			GCP		1	2	3	4	5	TOOLED BUT NOT VALIDATED	
KEY A, BLACK	33471-0531	A							GCP		1	2	3	4	5	SALEABLE	
VOID KEY	33471-0530																
KEY D W/ CPA, GREEN	33471-0529					D			GCP	CPA	1				5	OBSOLETE	
KEY C W/ CPA, BROWN	33471-0528					C			GCP	CPA	1				5	OBSOLETE	
KEY B W/ CPA, LIGHT GRAY	33471-0527					B			GCP	CPA	1				5	TOOLED BUT NOT VALIDATED	
KEY A W/ CPA, BLACK	33471-0526	A							GCP	CPA	1				5	SALEABLE	
VOID KEY	33471-0525																
KEY D, GREEN	33471-0524					D			GCP		1				5	OBSOLETE	
KEY C, BROWN	33471-0523					C			GCP		1				5	OBSOLETE	
KEY B, LIGHT GRAY	33471-0522					B			GCP		1				5	TOOLED BUT NOT VALIDATED	
KEY A, BLACK	33471-0521	A							GCP		1				5	SALEABLE	
VOID KEY	33471-0520																
KEY D W/ CPA, GREEN	33471-0519					D			GCP	CPA					5	OBSOLETE	
KEY C W/ CPA, BROWN	33471-0518					C			GCP	CPA					5	OBSOLETE	
KEY B W/ CPA, LIGHT GRAY	33471-0517					B			GCP	CPA					5	TOOLED BUT NOT VALIDATED	
KEY A W/ CPA, BLACK	33471-0516	A							GCP	CPA					5	SALEABLE	
VOID KEY	33471-0515																
KEY D, GREEN	33471-0514					D			GCP						5	OBSOLETE	
KEY C, BROWN	33471-0513					C			GCP						5	OBSOLETE	
KEY B, LIGHT GRAY	33471-0512					B			GCP						5	TOOLED BUT NOT VALIDATED	
KEY A, BLACK	33471-0511	A							GCP						5	SALEABLE	
VOID KEY	33471-0510																
KEY D W/ CPA, GREEN	33471-0509					D			GCO	CPA						NOT RECOMMENDED USE,PLEASE USE 33471-0540	
KEY C W/ CPA, BROWN	33471-0508					C			GCO	CPA						NOT RECOMMENDED USE,PLEASE USE 33471-0539	
KEY B W/ CPA, LIGHT GRAY	33471-0507					B			GCO	CPA						TOOLED BUT NOT VALIDATED	
KEY A W/ CPA, BLACK	33471-0506	A							GCO	CPA						SALEABLE	
VOID KEY	33471-0505																
KEY D, GREEN	33471-0504					D			GCO							NOT RECOMMENDED USE,PLEASE USE 33471-0538	
KEY C, BROWN	33471-0503					C			GCO							NOT RECOMMENDED USE,PLEASE USE 33471-0537	
KEY B, LIGHT GRAY	33471-0502					B			GCO							TOOLED BUT NOT VALIDATED	
KEY A, BLACK	33471-0501	A							GCO							SALEABLE	

DESCRIPTION	COLOR	MATERIAL
MAT SEAL	ROYAL BLUE	INHERENTLY LUBRICATED SILICONE
RING SEAL	ROYAL BLUE	INHERENTLY LUBRICATED SILICONE
PLR	NATURAL	SPS/NYLON GF20
CPA	RED	PBT GF30
GROMMET CAP (PLUGGED)	BLACK	SPS/NYLON GF20
GROMMET CAP (OPEN)	BLACK	SPS/NYLON GF20
HOUSING KEYING OPTION D	STONE GRAY	SPS/NYLON GF20
HOUSING KEYING OPTION C	DARK GRAY	SPS/NYLON GF20
HOUSING KEYING OPTION D	GREEN	SPS/NYLON GF20
HOUSING KEYING OPTION C	BROWN	SPS/NYLON GF20
HOUSING KEYING OPTION B	LIGHT GRAY	SPS/NYLON GF20
HOUSING KEYING OPTION A	BLACK	SPS/NYLON GF20

BOM/APPLICABLE COMPONENTS TABLE

### LEGEND TABLE

ABBREVIATION	COMPONENT
A	HOUSING KEY A
B	HOUSING KEY B
C	HOUSING KEY C
D	HOUSING KEY D
GCO	GROMMET CAP (OPEN)
GCP	GROMMET CAP (PLUGGED)
M	MAT SEAL
R	RING SEAL
P	PLR, STANDARD
CPA	CPA

FUNCTIONAL SYMBOLS FA = 0 FC = 0 FP = 0	THIS DRAWING CONTAINS INFORMATION THAT IS PROPRIETARY TO MOLEX ELECTRONIC TECHNOLOGIES, LLC AND SHOULD NOT BE USED WITHOUT WRITTEN PERMISSION	CURRENT REV DESC:		
	DIMENSION UNITS: mm	SCALE:	EC NO: 643941	
DIVISIONAL SYMBOLS	GENERAL TOLERANCES (UNLESS SPECIFIED)	4 PLACES ±		DRWN: XLDONG03 2020/08/21
	ANGULAR TOL ± 3.0°	3 PLACES ±		CHK'D: JDENG02 2020/08/26
		2 PLACES ± 0.1		APPR: JDENG02 2020/08/26
		1 PLACE ± 0.2		INITIAL REVISION:
		0 PLACES ±		DRWN: MDICK 2012/06/01
		APPR: VKOSHY 2012/06/01		PSD 001 M8
DRAFT WHERE APPLICABLE MUST REMAIN WITHIN DIMENSIONS	THIRD ANGLE PROJECTION	DRAWING: D-SIZE	SERIES: 33471	DOCUMENT NUMBER: SD-33471-051
		MATERIAL NUMBER: SEE BOM	CUSTOMER: GENERAL MARKET	DOC TYPE: PSD
				DOC PART: 001
				REVISION: M8
				SHEET NUMBER: 4 OF 5

