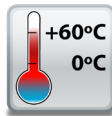


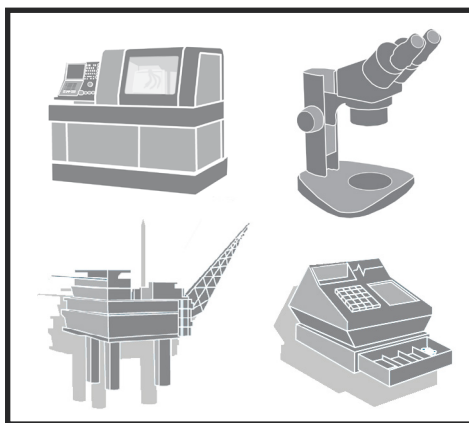
US-257

2 Port RS232 USB to Serial Adapter

- High retention USB socket for an unshakeable connection
- Comes with 1.8m / 70.1in USB Type A to B cable
- Light industrial specification: IP-30
- 0°C to +60°C/32°F to +140°
- Drivers for all popular operating systems
- Wall mounts (optional DIN rail mounting kit available)



Compact design - wall mountable using mounting screw holes, optional DIN Rail mount accessory available



Example applications:

CNC Machine
Laboratory
Oil Rig
Point of Sale



High retention USB connection requires a minimum withdrawal requirement of 15N (thats a force of 1.5Kg or 3.4lbs)



UK +44 (0)151 220 2500 // USA +1 855 958 2502 //
www.brainboxes.com // sales@brainboxes.com

US-257 2 Port RS232 USB to Serial Adapter

IP-30 rated non-conducting case

High retention USB connector for an unshakeable connection

Plug and play with signed drivers

Orange color-coded insulator to differentiate from standard USB connectors

0°C to +60°C / 32°F to +140°F temperature range



USB connection requires a minimum withdrawal requirement of 15N

Works across the full spectrum of baud rates up to 921,600 including standard and arbitrary values

LED Information

| | | |
|------------------|----------------|---------|
| Status LED | Green Power | On |
| Serial Port LEDs | Green Light On | Data TX |
| | Green Light On | Data RX |

| | |
|--------------------|---|
| Port | |
| Connector | DB9 Connector - 9 Pin Male connector (9 Pin Male) |
| FIFO Size | 384 RX FIFO + 128 TX FIFO |
| Operating Distance | EIA - RS232 Standard |
| Cable | USB cable Type A to B 1.8 metre / 70.1 inches |
| Power Consumption | 100mA @ 3.3V |

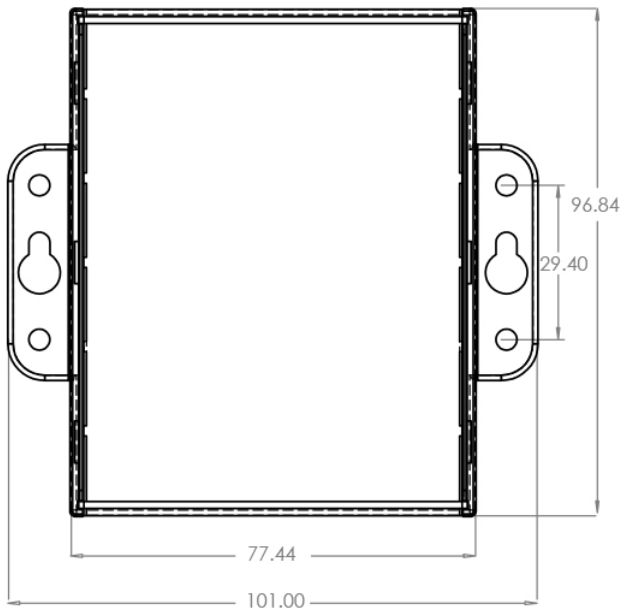
Environmental

| | |
|-----------------------|------------------------------|
| Operating Temperature | 0°C to +60°C/-32°F to +140°F |
| Storage Temperature | 0°C to +60°C/-32°F to +140°F |

Port Settings - RS232

| | |
|--------------|---|
| Baud Rate | From 110 - 1 MegaBaud - Any custom Baud rate accepted |
| Data Bits | 7 or 8 |
| Parity | Odd, Even, None, Mark or Space |
| Stop Bits | 1 or 2 |
| Flow Control | RTS/CTS, DSR/DTR, XON/XOFF |
| Tx/Rx Modes | Point to Point |

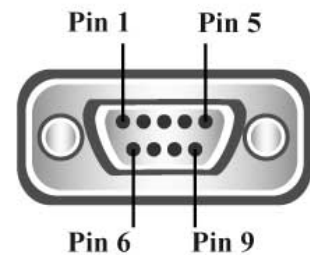
US-257 2 Port RS232 USB to Serial Adapter



RS232

| | |
|-------|-----|
| Pin 1 | DCD |
| Pin 2 | RXD |
| Pin 3 | TXD |
| Pin 4 | DTR |
| Pin 5 | GND |
| Pin 6 | DSR |
| Pin 7 | RTS |
| Pin 8 | CTS |
| Pin 9 | RI |

RS232 Pinout (9 Pin Male)



Software

OS Compatibility

Brainboxes' software provides a Serial COM port interface. All software versions and updates available to download from our website.

Microsoft

Windows 8, Windows 8.1, Windows 10
Windows Server 2016
Windows Server 2019



Lifetime Warranty and Support:

We can help with every aspect of your project, from getting you up and running to custom application.

UK +44 (0)151 220 2500 // USA +1 855 958 2502 //
www.brainboxes.com // sales@brainboxes.com

US-257 2 Port RS232 USB to Serial Adapter

| | |
|-----------------------|---|
| Packaging Information | QSG, Device, 1.8m / 70.1in USB Type A to B cable (signed drivers are automatically downloaded by Windows OS) |
| Product Weight | 0.109 kg, 3.84 ounces |
| Product Dims | 102x100x27 mm, 4.0x3.9x1.1 inches |
| Packaged Weight | 0.155 kg, 5.47 ounces |
| Packaged Dims | 160x135x45 mm, 6.3x5.3x1.8 inches |
| GTIN Universal Code | 837324000153 |
| Industry Approvals | Microsoft Certified Gold Partner, WEEE, RoHS, AEO (C-TPAT), CE, UKCA, UL |
| HTS | 8471800000 |
| ECCN | 4A994 |
| CAGE | 8QCY6 |
| Warranty | Lifetime - online registration required |
| Support | Lifetime Web, Email & Phone Support from fully qualified, friendly staff who work in and alongside the Product Development Team |
| Standards | ISO9001, ISO14001 |
| OEM option | Available for bulk buy OEM |
| Customisable | Brainboxes operate a 'Perfect Fit Custom Design' policy for volume users More info:sales@brainboxes.com |

USB to Serial Range

USB to Serial adaptors available in a range of formats and specifications

www.brainboxes.com



US-101

USB 1 Port RS232 1MBaud



US-159

Ultra 1 Port RS232 Isolated
USB to Serial Adapter



US-235

Ultra 1 Port RS232 USB to
Serial Adapter