

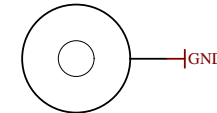
1

2

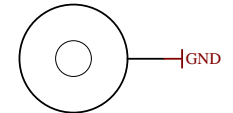
3

4

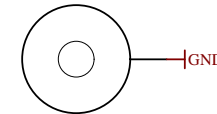
U_J1 J1.SchDoc	U_B_PS_GT B_PS_GT.SchDoc	U_DDR4-TERM DDR4-TERM.SchDoc
U_J2 J2.SchDoc	U_PS_DDR PS_DDR.SchDoc	U_ZU_POWER ZU_POWER.SchDoc
U_J3 J3.SchDoc	U_B_MIO B_MIO.SchDoc	U_ZU_PS_POWER ZU_PS_POWER.SchDoc
U_J4 J4.SchDoc	U_B_HD B_HD.SchDoc	U_POWER POWER.SchDoc
U_DDR4-TERM DDR4-TERM.SchDoc	U_Clock Clock.SchDoc	U_POWER_2 POWER_2.SchDoc
U_B64 B64.SchDoc	U_CONFIG CONFIG.SchDoc	U_POWER_3 POWER_3.SchDoc
U_B65 B65.SchDoc	U_DDR4-RAM DDR4-RAM.SchDoc	U_POWER_4 POWER_4.SchDoc
U_B66 B66.SchDoc	U_DDR4-RAM_2 DDR4-RAM_2.SchDoc	
U_B_GT B_GT.SchDoc	U_DDR4-RAM_3 DDR4-RAM_3.SchDoc	
U_B_GT_2 B_GT_2.SchDoc	U_DDR4-RAM_4 DDR4-RAM_4.SchDoc	



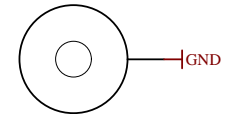
Mount.Hole 3.2mm für Unterlegscheibe



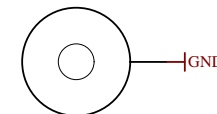
Mount.Hole 3.2mm für Unterlegscheibe



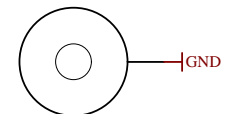
Mount.Hole 3.2mm für Unterlegscheibe



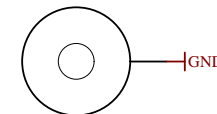
Mount.Hole 3.2mm für Unterlegscheibe



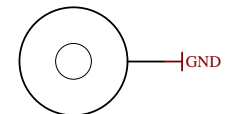
Mount.Hole 3.2mm für Unterlegscheibe



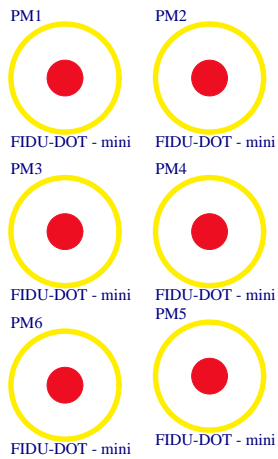
Mount.Hole 3.2mm für Unterlegscheibe



Mount.Hole 3.2mm für Unterlegscheibe



Mount.Hole 3.2mm für Unterlegscheibe



LOGO1
TE Logo PRINT Layer
LOGO PRINT

Serial
Serial
Serialnumber 6,3 x 6.3mm



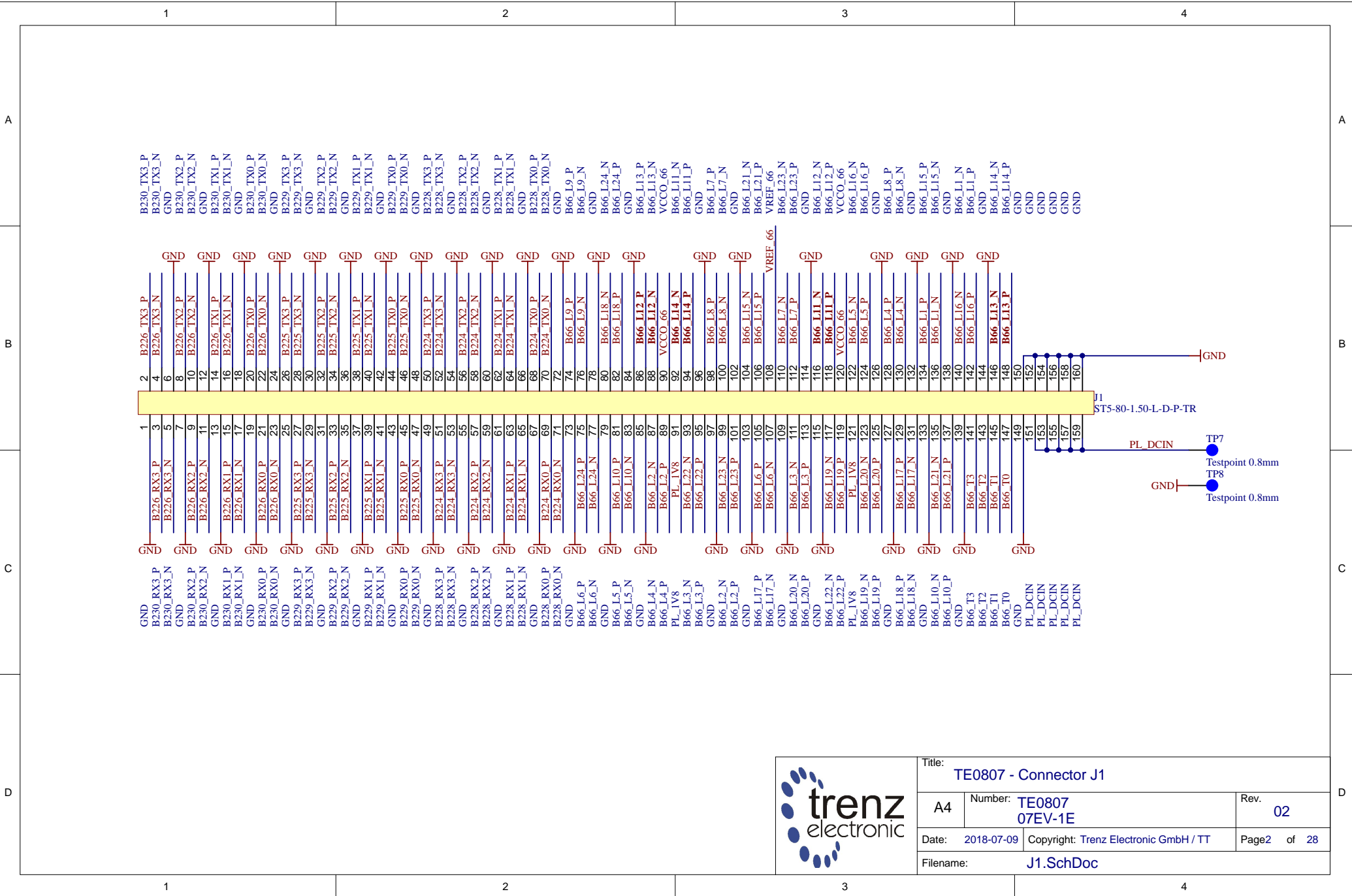
Title: TE0807		
A4	Number: TE0807 07EV-1E	Rev. 02
Date: 2018-07-09	Copyright: Trenz Electronic GmbH / TT	Page1 of 28
Filename: TE0807.SchDoc		

1

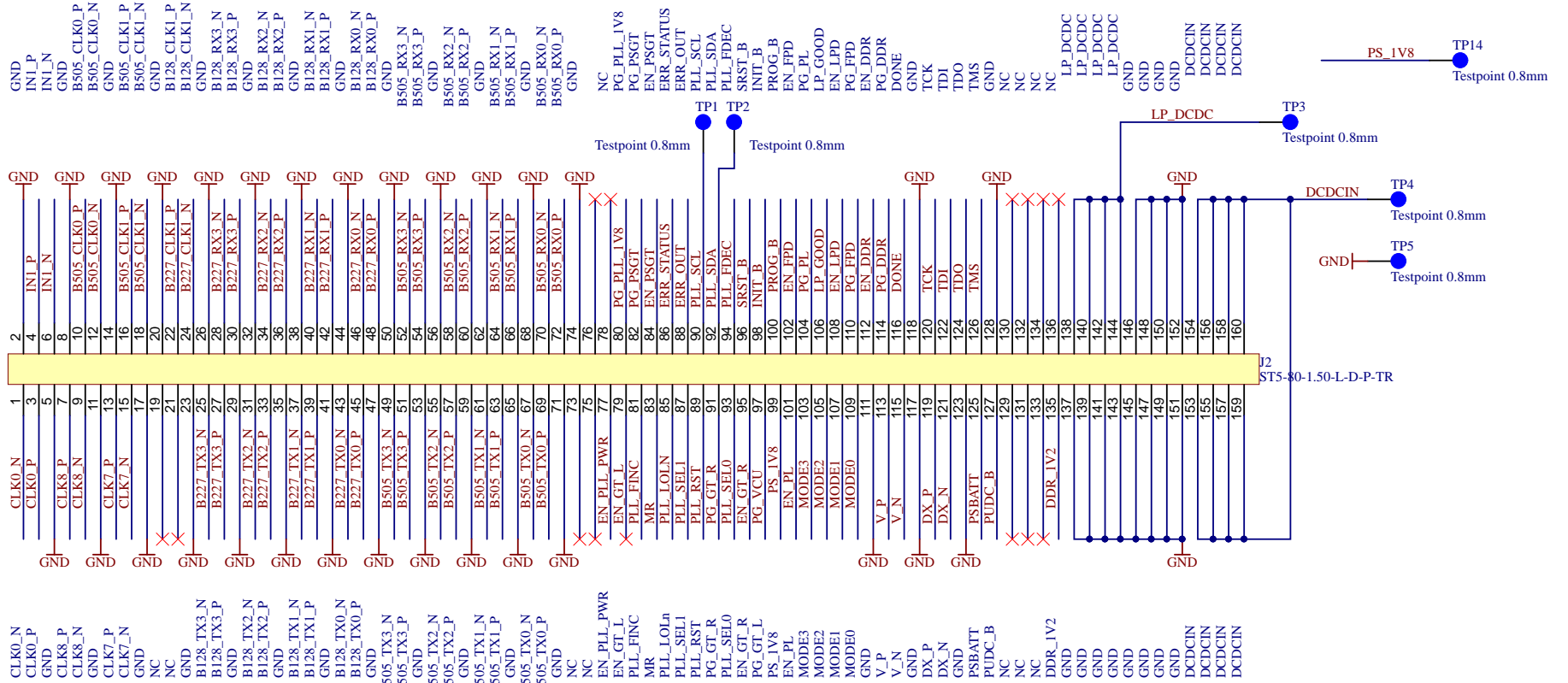
2

3

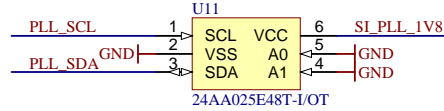
4



Title: TE0807 - Connector J1		
A4	Number: TE0807 07EV-1E	Rev. 02
Date: 2018-07-09	Copyright: Trenz Electronic GmbH / TT	Page2 of 28
Filename: J1.SchDoc		



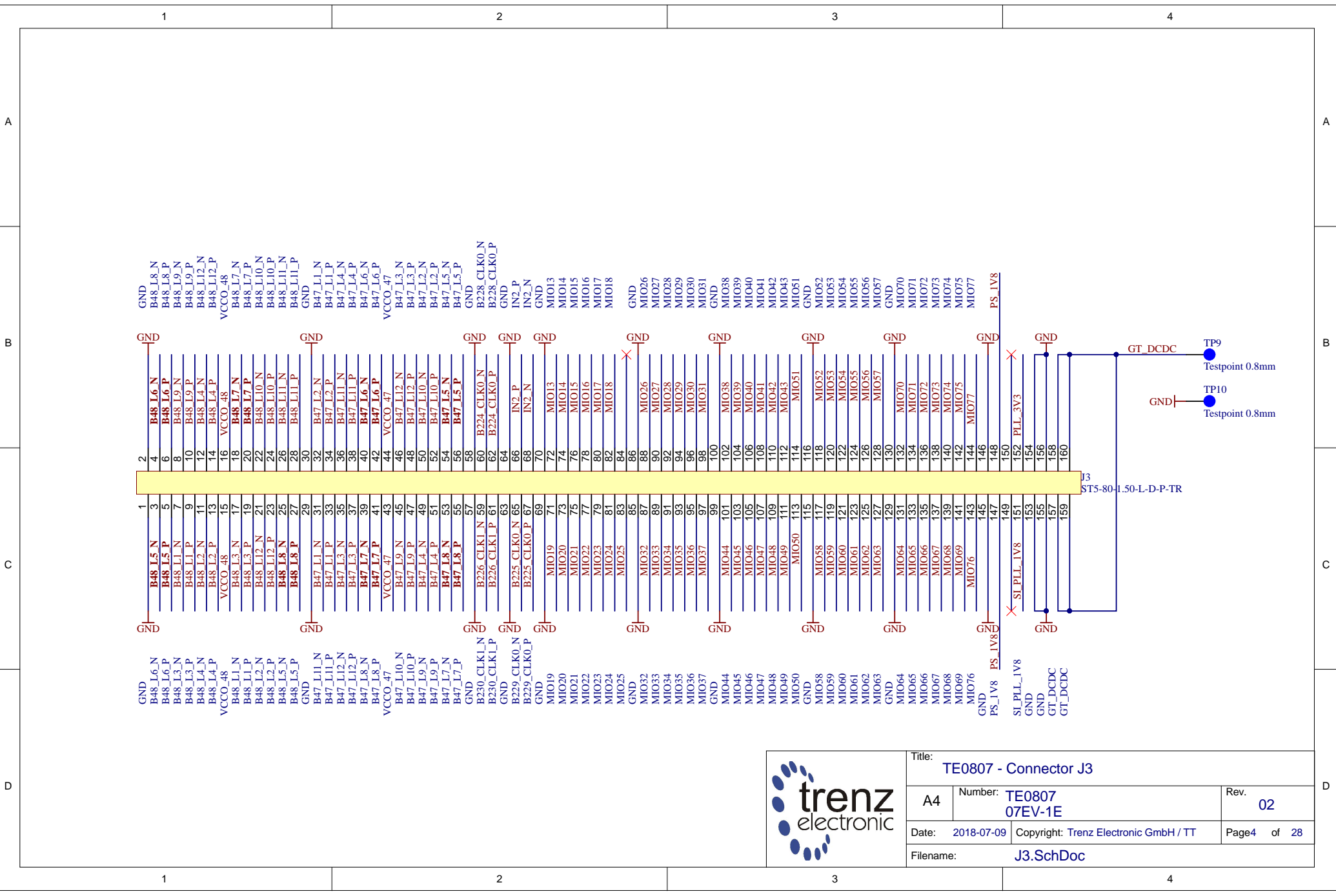
EEPROM for MAC



Slave address: 1010000x



Title: TE0807 - Connector J2			
A4	Number: TE0807 07EV-1E	Rev. 02	
Date: 2018-07-09	Copyright: Trenz Electronic GmbH / TT		Page3 of 28
Filename: J2.SchDoc			



	Title: TE0807 - Connector J3	
	A4	Number: TE0807 07EV-1E
	Date: 2018-07-09	Copyright: Trenz Electronic GmbH / TT
	Rev. 02	Page4 of 28
Filename: J3.SchDoc		

A
B
C
D

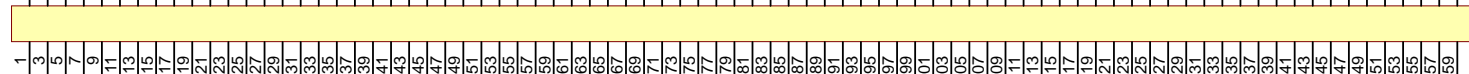
1

2

3

4

B65_T3	1	B65_T3	2	B64_T2	B64_T2
B65_T2	3	B65_T2	4	B64_T3	B64_T3
B65_T1	5	B65_T1	6	B64_T1	B64_T1
B65_T0	7	B65_T0	8	B64_T0	B64_T0
GND	9	GND	10	GND	GND
B65_L24_P	11	B65_L23_P	11	B64_L4_N	B64_L24_N
B65_L24_N	13	B65_L23_N	13	B64_L4_P	B64_L24_P
VREF_65	15	VREF_65	15	GND	GND
B65_L17_N	17	B65_L18_N	17	GND	B64_L22_P
B65_L17_P	19	B65_L18_P	19	GND	B64_L22_N
GND	21	GND	21	GND	GND
B65_L22_P	23	B65_L24_P	23	B64_L5_P	B64_L23_P
B65_L22_N	25	B65_L24_N	25	B64_L5_N	B64_L23_N
GND	27	GND	27	GND	GND
B65_L21_P	29	B65_L20_P	29	B64_L7_N	B64_L19_N
B65_L21_N	31	B65_L20_N	31	B64_L7_P	B64_L19_P
GND	33	GND	33	GND	GND
B65_L20_P	35	B65_L21_P	35	B64_L16_P	B64_L15_P
B65_L20_N	37	B65_L21_N	37	B64_L16_N	B64_L15_N
GND	39	GND	39	GND	GND
B65_L23_N	41	B65_L22_N	41	B64_L3_P	B64_L21_P
B65_L23_P	43	B65_L22_P	43	B64_L3_N	B64_L21_N
GND	45	GND	45	GND	GND
B65_L19_P	47	B65_L19_P	47	B64_L2_N	B64_L20_N
B65_L19_N	49	B65_L19_N	49	B64_L2_P	B64_L20_P
GND	51	GND	51	GND	GND
B65_L18_P	53	B65_L17_P	53	B64_L6_P	B64_L18_P
B65_L18_N	55	B65_L17_N	55	B64_L6_N	B64_L18_N
GND	57	GND	57	VCCO_64	VCCO_64
B65_L15_N	59	B65_L15_N	59	B64_L15_P	B64_L17_P
B65_L15_P	61	B65_L15_P	61	B64_L15_N	B64_L17_N
GND	63	GND	63	GND	GND
B65_L12_N	65	B65_L12_N	65	B64_L11_N	B64_L13_N
B65_L12_P	67	B65_L12_P	67	B64_L11_P	B64_L13_P
VCCO_65	69	VCCO_65	69	GND	GND
B65_L7_N	71	B65_L7_N	71	B64_L12_N	B64_L14_N
B65_L7_P	73	B65_L7_P	73	B64_L12_P	B64_L14_P
GND	75	GND	75	GND	GND
B65_L11_N	77	B65_L11_N	77	B64_L13_P	B64_L11_P
B65_L11_P	79	B65_L11_P	79	B64_L13_N	B64_L11_N
GND	81	GND	81	GND	GND
B65_L6_N	83	B65_L5_N	83	B64_L8_N	B64_L16_N
B65_L6_P	85	B65_L5_P	85	B64_L8_P	B64_L16_P
GND	87	GND	87	VREF_64	VREF_64
B65_L13_P	89	B65_L14_P	89	B64_L9_N	B64_L10_N
B65_L13_N	91	B65_L14_N	91	B64_L9_P	B64_L10_P
GND	93	GND	93	GND	GND
B65_L10_N	95	B65_L9_N	95	B64_L10_N	B64_L16_N
B65_L10_P	97	B65_L9_P	97	B64_L10_P	B64_L16_P
GND	99	GND	99	GND	GND
B65_L4_N	101	B65_L4_N	101	B64_L22_P	B64_L5_P
B65_L4_P	103	B65_L4_P	103	B64_L22_N	B64_L5_N
VCCO_65	105	VCCO_65	105	VCCO_64	VCCO_64
B65_L6_N	107	B65_L6_N	107	B64_L20_N	B64_L19_N
B65_L6_P	109	B65_L6_P	109	B64_L20_P	B64_L19_P
GND	111	GND	111	GND	GND
B65_L14_N	113	B65_L13_N	113	B64_L19_P	B64_L4_P
B65_L14_P	115	B65_L13_P	115	B64_L19_N	B64_L4_N
GND	117	GND	117	GND	GND
B65_L8_P	119	B65_L1_P	119	B64_L21_N	B64_L3_N
B65_L8_N	121	B65_L1_N	121	B64_L21_P	B64_L3_P
GND	123	GND	123	GND	GND
B65_L2_N	125	B65_L10_N	125	B64_L14_N	B64_L12_N
B65_L2_P	127	B65_L10_P	127	B64_L14_P	B64_L12_P
GND	129	GND	129	GND	GND
B65_L16_P	131	B65_L16_P	131	B64_L23_N	B64_L2_N
B65_L16_N	133	B65_L16_N	133	B64_L23_P	B64_L2_P
GND	135	GND	135	GND	GND
B65_L3_N	137	B65_L3_N	137	B64_L24_N	B64_L1_N
B65_L3_P	139	B65_L3_P	139	B64_L24_P	B64_L1_P
GND	141	GND	141	GND	GND
B65_L1_P	143	B65_L2_P	143	B64_L18_N	B64_L8_N
B65_L1_N	145	B65_L2_N	145	B64_L18_P	B64_L8_P
GND	147	GND	147	GND	GND
B65_L5_P	149	B65_L8_P	149	B64_L17_P	B64_L7_P
B65_L5_N	151	B65_L8_N	151	B64_L17_N	B64_L7_N
GND	153	GND	153	GND	GND
NC	155	NC	155	NC	NC
NC	157	NC	157	NC	NC
NC	159	NC	159	NC	NC



Title: TE0807 - Connector J4

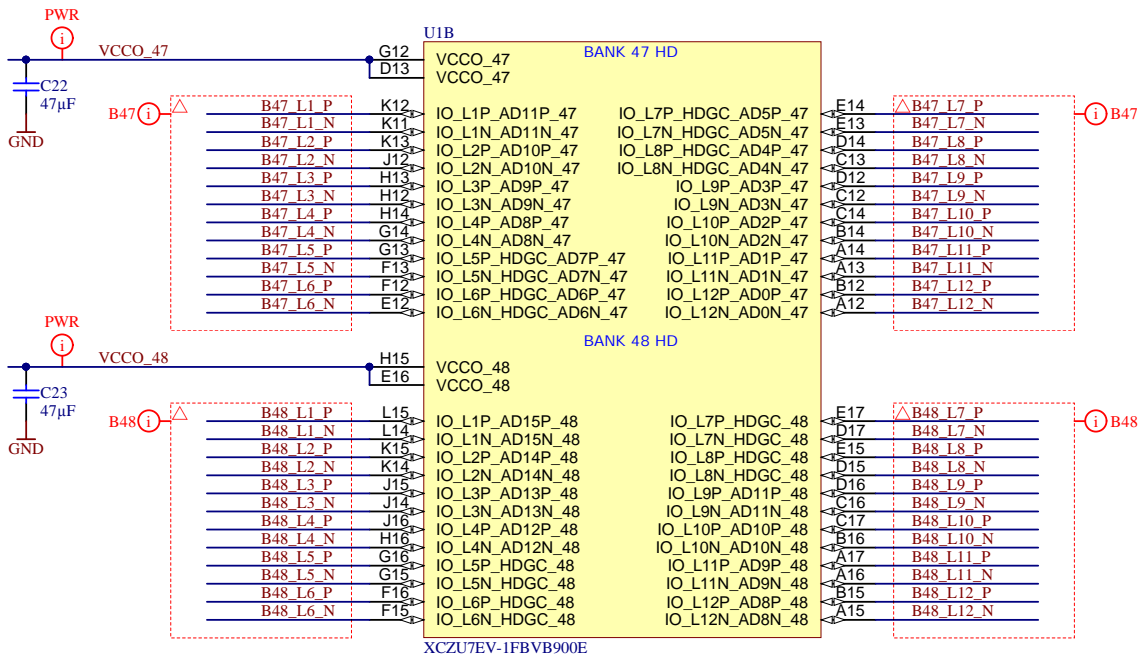
A4	Number: TE0807 07EV-1E	Rev. 02
Date: 2018-07-09	Copyright: Trenz Electronic GmbH / TT	Page5 of 28
Filename: J4.SchDoc		

1

2

3

4



Title: TE0807 - B47HD and B48HD		
A4	Number: TE0807 07EV-1E	Rev. 02
Date: 2018-07-09	Copyright: Trenz Electronic GmbH / TT	Page6 of 28
Filename: B_HD.SchDoc		

1

2

3

4

A

A

B

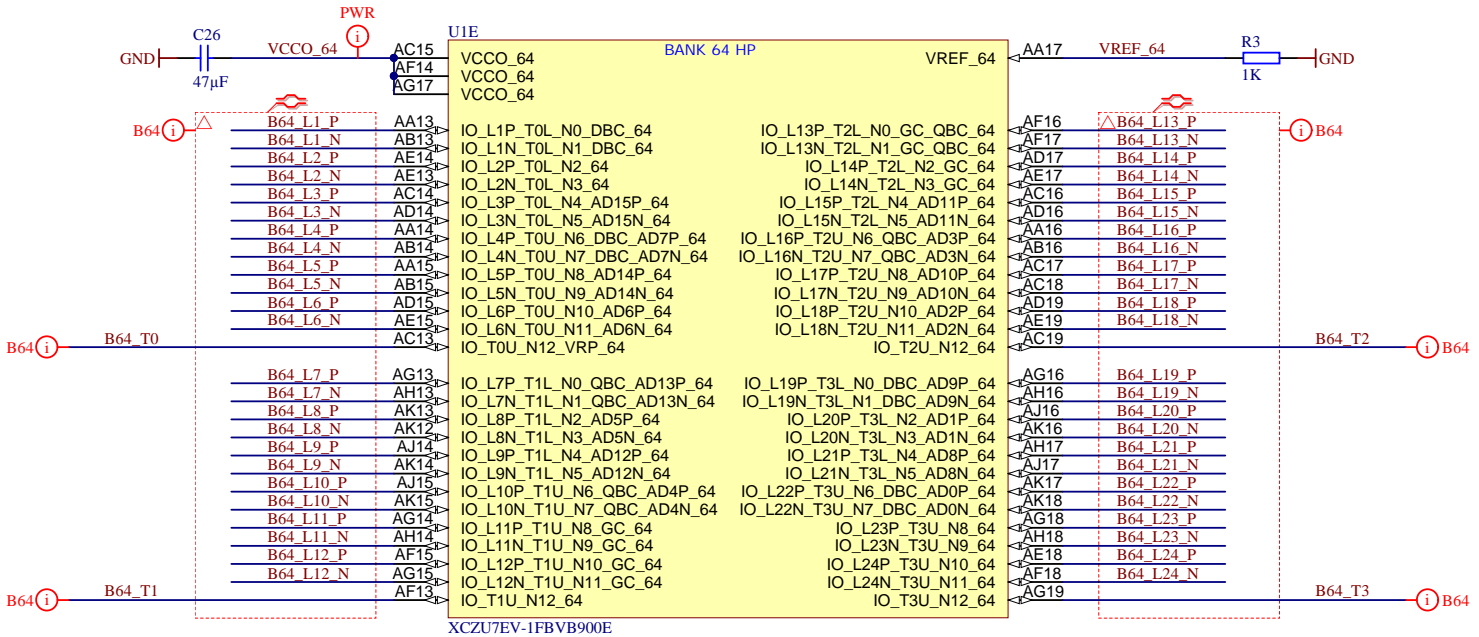
B


C

C

D

D



		Title: TE0807 - B64	
		A4	Number: TE0807 07EV-1E
Date: 2018-07-09		Copyright: Trenz Electronic GmbH / TT	
Filename: B64.SchDoc		Page8 of 28	

1

2

3

4

1

2

3

4

A

A

B

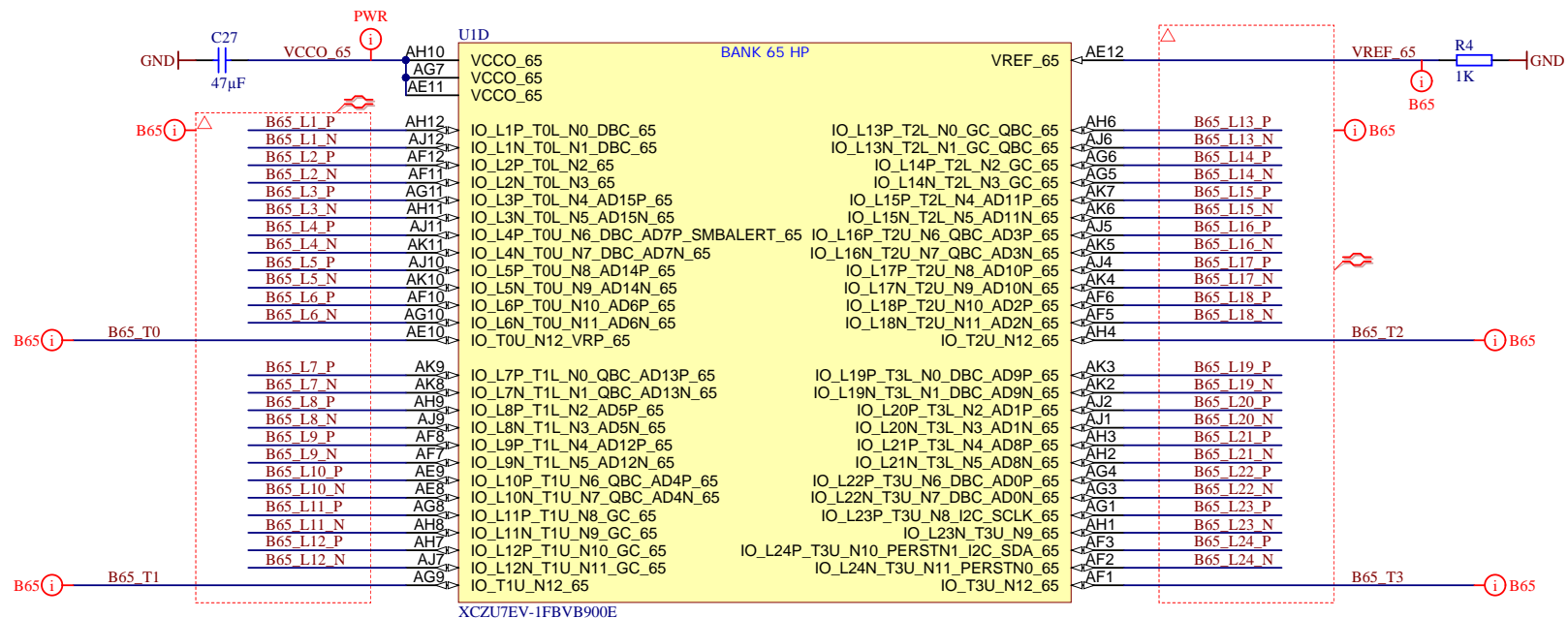

B

C

C

D

D

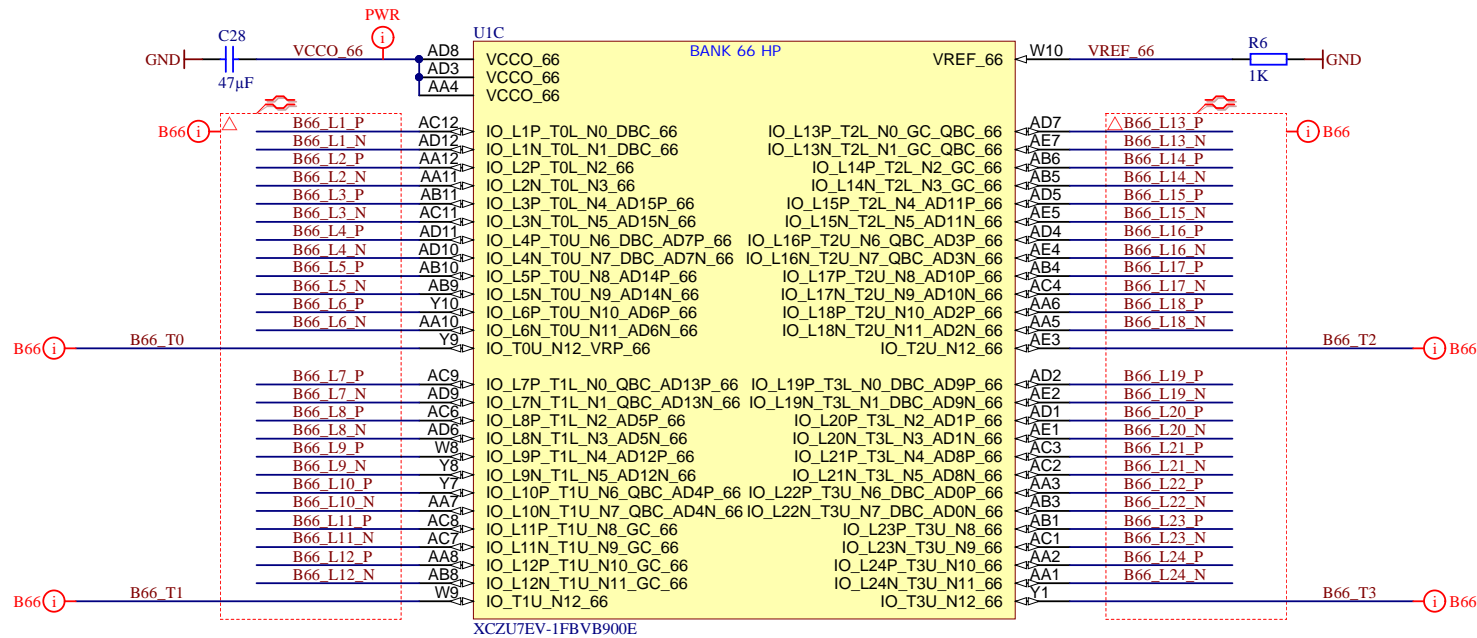
Title: TE0807 - B65		
A4	Number: TE0807 07EV-1E	Rev. 02
Date: 2018-07-09	Copyright: Trenz Electronic GmbH / TT	Page 9 of 28
Filename: B65.SchDoc		


1

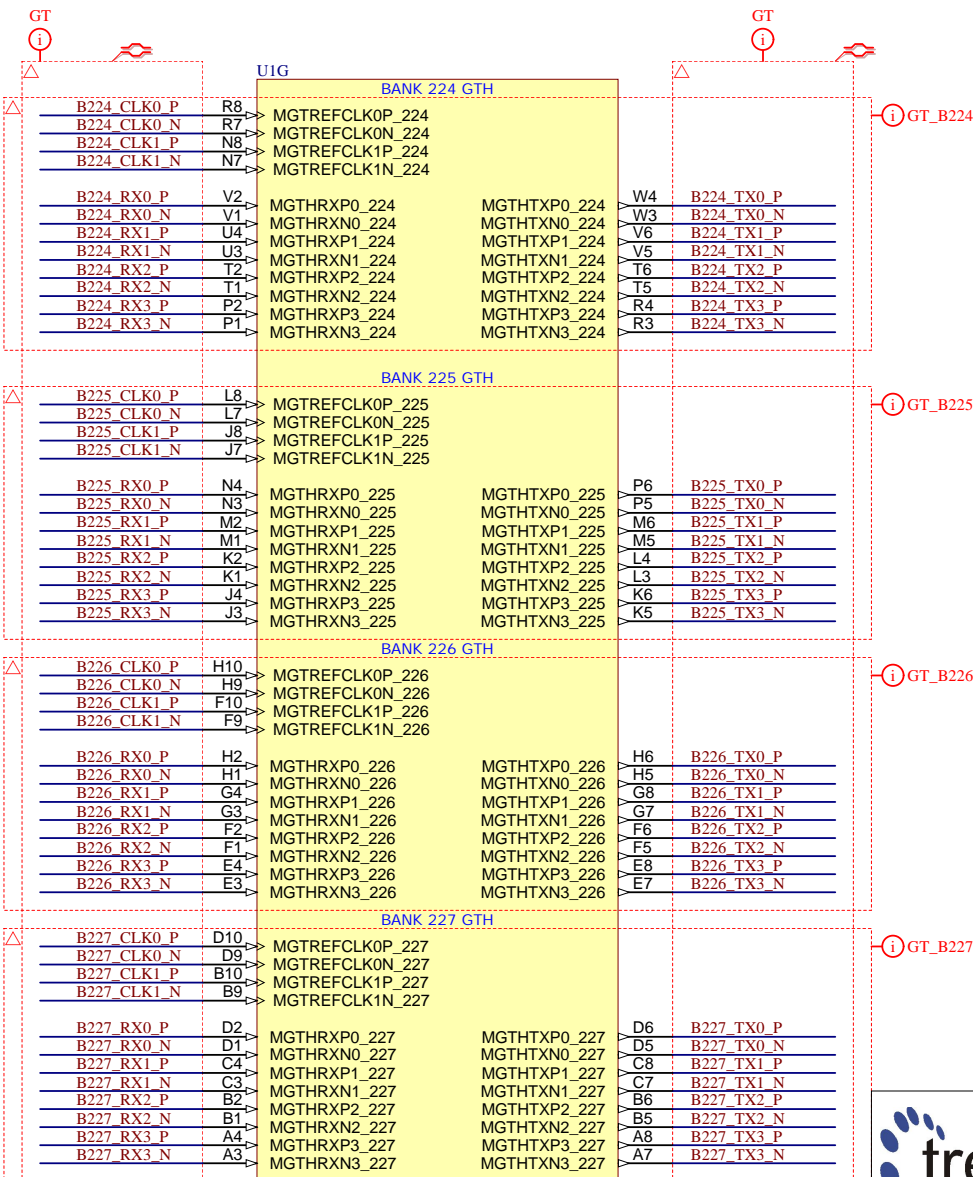
2

3

4



	Title: TE0807 - B66		
	A4	Number: TE0807 07EV-1E	Rev. 02
	Date: 2018-07-09	Copyright: Trenz Electronic GmbH / TT	Page 10 of 28
	Filename: B66.SchDoc		



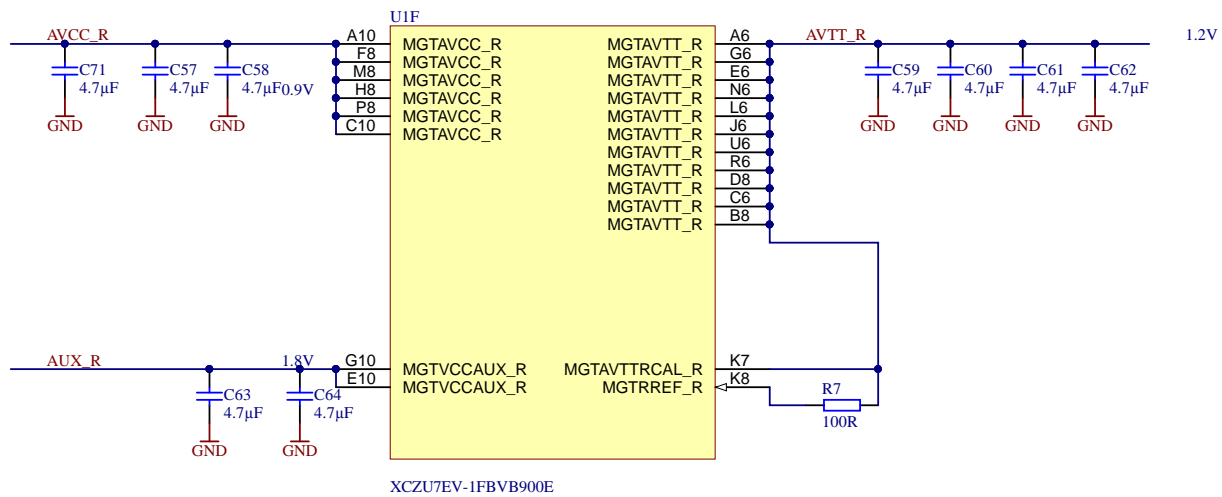
228

229

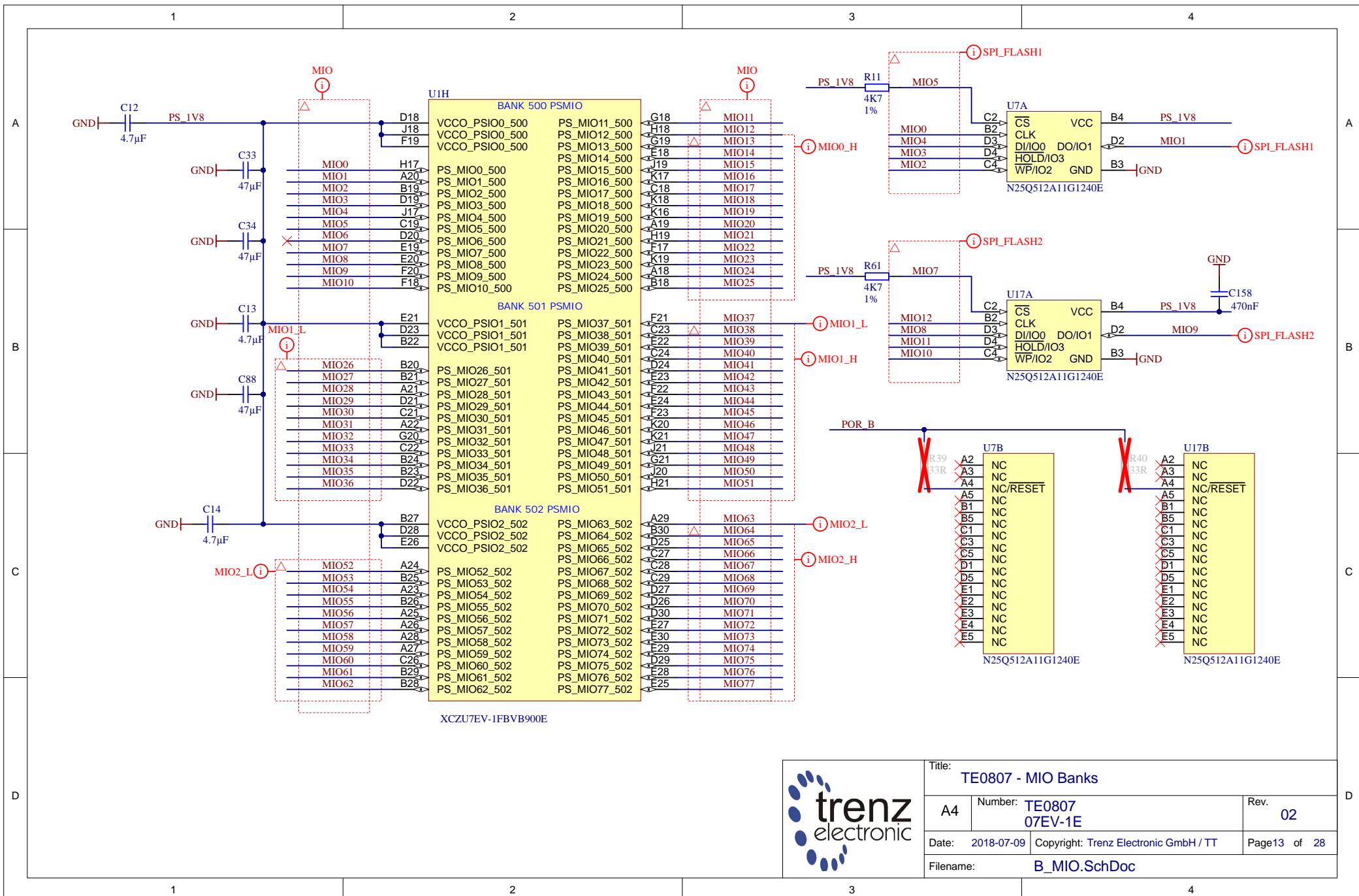
230



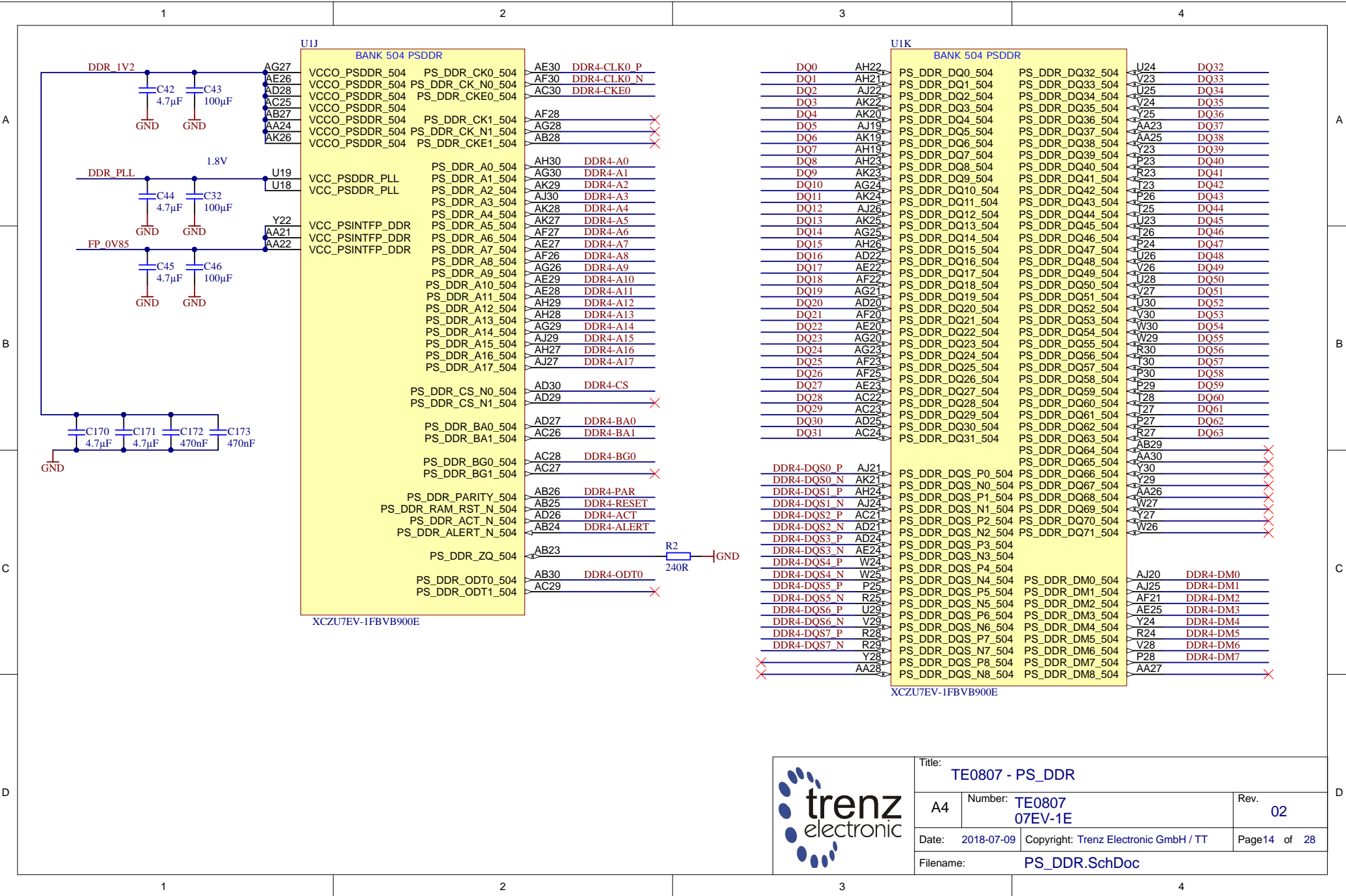
Title: TE0807 - GTH_Banks		
A4	Number: TE0807 07EV-1E	Rev. 02
Date: 2018-07-09	Copyright: Trenz Electronic GmbH / TT	Page 11 of 28
Filename: B_GT.SchDoc		



Title: TE0807 - GTH_PWR		
A4	Number: TE0807 07EV-1E	Rev. 02
Date: 2018-07-09	Copyright: Trenz Electronic GmbH / TT	Page 12 of 28
Filename: B_GT_2.SchDoc		



	Title: TE0807 - MIO Banks	
	A4	Number: TE0807 07EV-1E
	Date: 2018-07-09	Copyright: Trenz Electronic GmbH / TT
	Rev. 02	Page13 of 28
Filename: B_MIO.SchDoc		



UIJ

BANK 504 PSDDR

AG27	VCCO_PSDDR_504	PS_DDR_CK0_504
AE26	VCCO_PSDDR_504	PS_DDR_CK0_504
AD28	VCCO_PSDDR_504	PS_DDR_CKE0_504
AC25	VCCO_PSDDR_504	PS_DDR_CKE0_504
AB27	VCCO_PSDDR_504	PS_DDR_CK1_504
AA24	VCCO_PSDDR_504	PS_DDR_CK1_504
AK26	VCCO_PSDDR_504	PS_DDR_CK1_504
	VCCO_PSDDR_504	PS_DDR_CK_N1_504
	VCCO_PSDDR_504	PS_DDR_CKE1_504
		PS_DDR_A0_504
		PS_DDR_A1_504
		PS_DDR_A2_504
		PS_DDR_A3_504
		PS_DDR_A4_504
		PS_DDR_A5_504
		PS_DDR_A6_504
		PS_DDR_A7_504
		PS_DDR_A8_504
		PS_DDR_A9_504
		PS_DDR_A10_504
		PS_DDR_A11_504
		PS_DDR_A12_504
		PS_DDR_A13_504
		PS_DDR_A14_504
		PS_DDR_A15_504
		PS_DDR_A16_504
		PS_DDR_A17_504
		PS_DDR_CS_N0_504
		PS_DDR_CS_N1_504
		PS_DDR_BA0_504
		PS_DDR_BA1_504
		PS_DDR_BG0_504
		PS_DDR_BG1_504
		PS_DDR_PARITY_504
		PS_DDR_RAM_RST_N_504
		PS_DDR_ACT_N_504
		PS_DDR_ALERT_N_504
		PS_DDR_ZQ_504
		PS_DDR_ODT0_504
		PS_DDR_ODT1_504

XCZU7EV-1FBVB900E

UIK

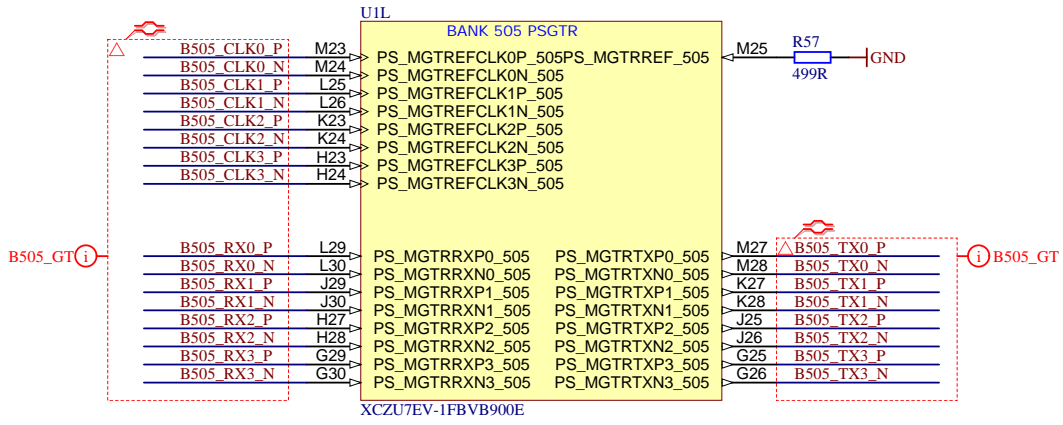
BANK 504 PSDDR


AH22	PS_DDR_DQ0_504	PS_DDR_DQ32_504
AH21	PS_DDR_DQ1_504	PS_DDR_DQ33_504
AJ22	PS_DDR_DQ2_504	PS_DDR_DQ34_504
AK22	PS_DDR_DQ3_504	PS_DDR_DQ35_504
AK20	PS_DDR_DQ4_504	PS_DDR_DQ36_504
AJ19	PS_DDR_DQ5_504	PS_DDR_DQ37_504
AK19	PS_DDR_DQ6_504	PS_DDR_DQ38_504
AH19	PS_DDR_DQ7_504	PS_DDR_DQ39_504
AH23	PS_DDR_DQ8_504	PS_DDR_DQ40_504
AK23	PS_DDR_DQ9_504	PS_DDR_DQ41_504
AG24	PS_DDR_DQ10_504	PS_DDR_DQ42_504
AK24	PS_DDR_DQ11_504	PS_DDR_DQ43_504
AJ26	PS_DDR_DQ12_504	PS_DDR_DQ44_504
AK25	PS_DDR_DQ13_504	PS_DDR_DQ45_504
AG25	PS_DDR_DQ14_504	PS_DDR_DQ46_504
AH26	PS_DDR_DQ15_504	PS_DDR_DQ47_504
AD22	PS_DDR_DQ16_504	PS_DDR_DQ48_504
AE22	PS_DDR_DQ17_504	PS_DDR_DQ49_504
AF22	PS_DDR_DQ18_504	PS_DDR_DQ50_504
AG21	PS_DDR_DQ19_504	PS_DDR_DQ51_504
AD20	PS_DDR_DQ20_504	PS_DDR_DQ52_504
AF20	PS_DDR_DQ21_504	PS_DDR_DQ53_504
AE20	PS_DDR_DQ22_504	PS_DDR_DQ54_504
AG20	PS_DDR_DQ23_504	PS_DDR_DQ55_504
AG23	PS_DDR_DQ24_504	PS_DDR_DQ56_504
AF23	PS_DDR_DQ25_504	PS_DDR_DQ57_504
AF25	PS_DDR_DQ26_504	PS_DDR_DQ58_504
AE23	PS_DDR_DQ27_504	PS_DDR_DQ59_504
AC23	PS_DDR_DQ28_504	PS_DDR_DQ60_504
AD25	PS_DDR_DQ29_504	PS_DDR_DQ61_504
AD25	PS_DDR_DQ30_504	PS_DDR_DQ62_504
AC24	PS_DDR_DQ31_504	PS_DDR_DQ63_504
		PS_DDR_DQ64_504
		PS_DDR_DQ65_504
		PS_DDR_DQ66_504
		PS_DDR_DQ67_504
		PS_DDR_DQ68_504
		PS_DDR_DQ69_504
		PS_DDR_DQ70_504
		PS_DDR_DQ71_504
		PS_DDR_DQS_P0_504
		PS_DDR_DQS_N0_504
		PS_DDR_DQS_P1_504
		PS_DDR_DQS_N1_504
		PS_DDR_DQS_P2_504
		PS_DDR_DQS_N2_504
		PS_DDR_DQS_P3_504
		PS_DDR_DQS_N3_504
		PS_DDR_DQS_P4_504
		PS_DDR_DQS_N4_504
		PS_DDR_DQS_P5_504
		PS_DDR_DQS_N5_504
		PS_DDR_DQS_P6_504
		PS_DDR_DQS_N6_504
		PS_DDR_DQS_P7_504
		PS_DDR_DQS_N7_504
		PS_DDR_DQS_P8_504
		PS_DDR_DQS_N8_504
		PS_DDR_DM0_504
		PS_DDR_DM1_504
		PS_DDR_DM2_504
		PS_DDR_DM3_504
		PS_DDR_DM4_504
		PS_DDR_DM5_504
		PS_DDR_DM6_504
		PS_DDR_DM7_504
		PS_DDR_DM8_504

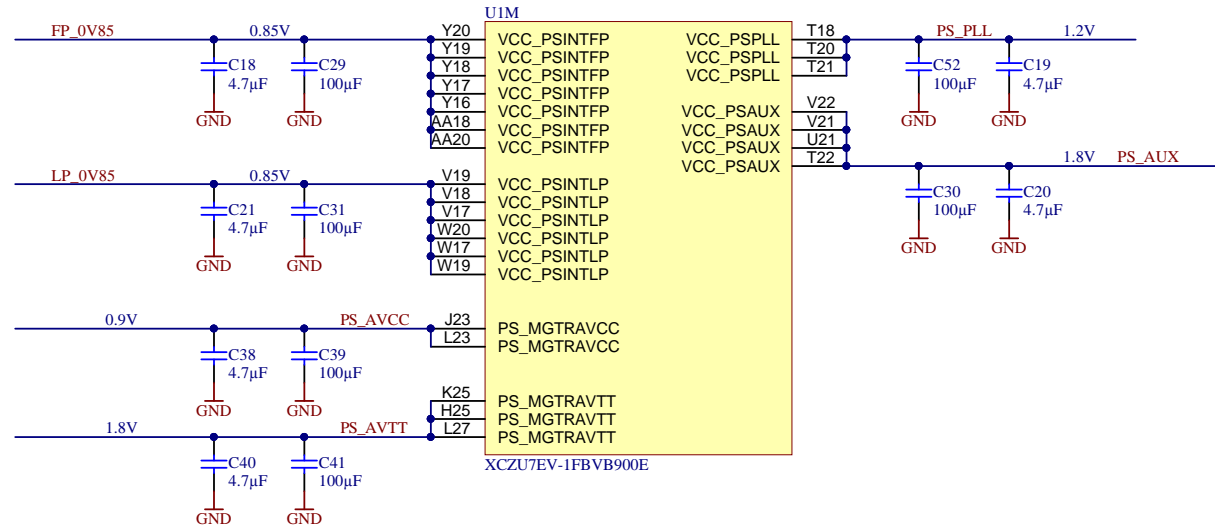
XCZU7EV-1FBVB900E




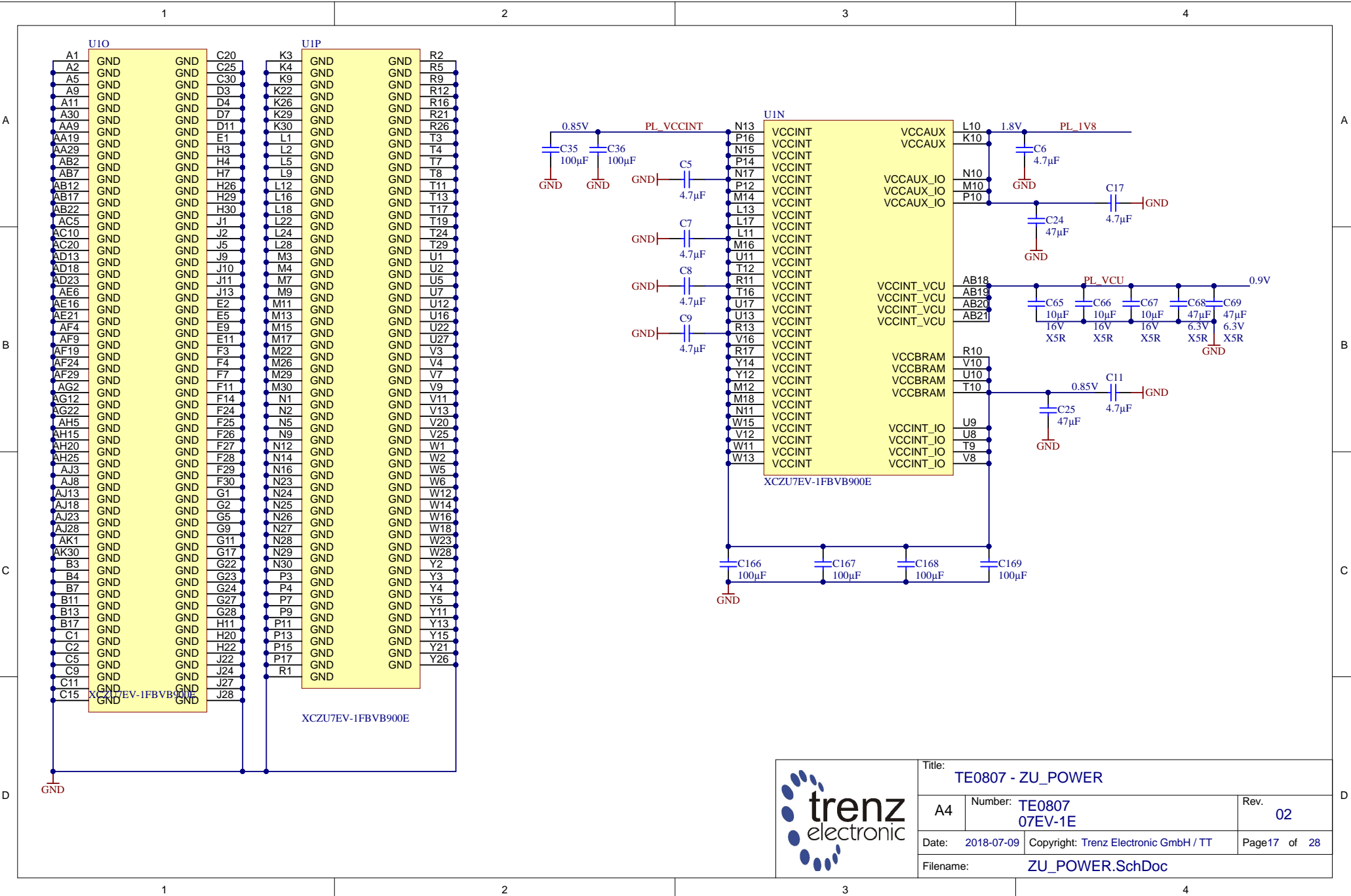
Title: TE0807 - PS_DDR			
A4	Number: TE0807 07EV-1E	Rev. 02	
Date: 2018-07-09	Copyright: Trenz Electronic GmbH / TT	Page 14 of 28	
Filename: PS_DDR.SchDoc			



	Title: TE0807 - PS_GT		
	A4	Number: TE0807 07EV-1E	Rev. 02
	Date: 2018-07-09	Copyright: Trenz Electronic GmbH / TT	Page 15 of 28
	Filename: B_PS_GT.SchDoc		



	Title: TE0807 - ZU_PS_POWER		
	A4	Number: TE0807 07EV-1E	Rev. 02
	Date: 2018-07-09	Copyright: Trenz Electronic GmbH / TT	Page 16 of 28
	Filename: ZU_PS_POWER.SchDoc		



Title: TE0807 - ZU_POWER		
A4	Number: TE0807 07EV-1E	Rev. 02
Date: 2018-07-09	Copyright: Trenz Electronic GmbH / TT	Page 17 of 28
Filename: ZU_POWER.SchDoc		

1

2

3

4

A

A

B

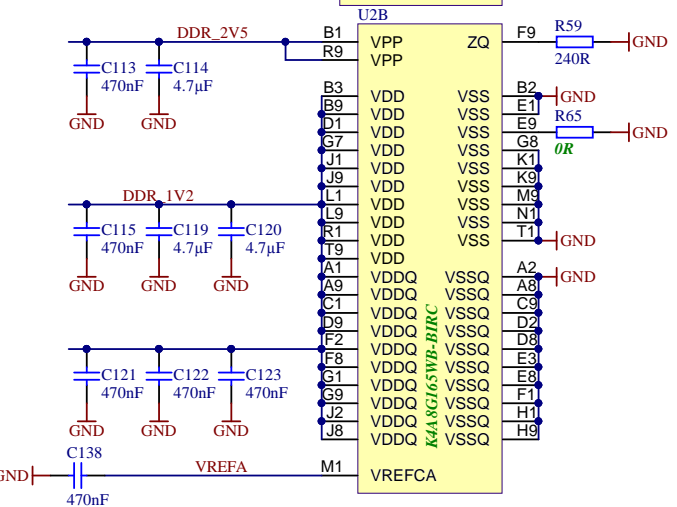
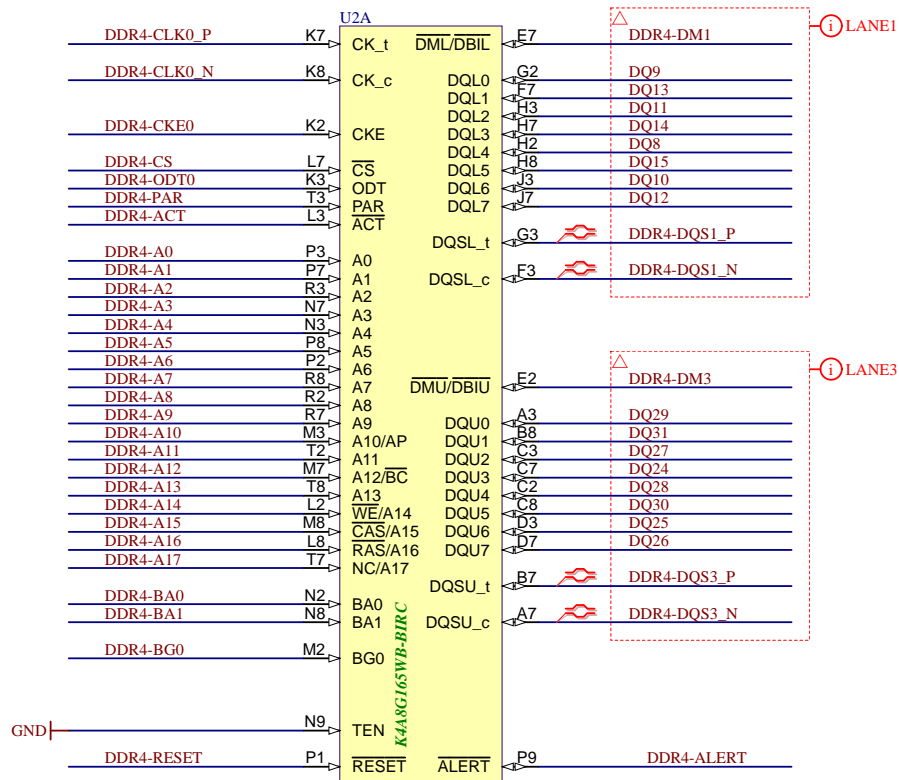
B

C

C

D

D



Title: TE0807 - DDR4_1_RAM		
A4	Number: TE0807 07EV-1E	Rev. 02
Date: 2018-07-09	Copyright: Trenz Electronic GmbH / TT	Page18 of 28
Filename: DDR4-RAM.SchDoc		

1

2

3

4

1

2

3

4

A

A

B

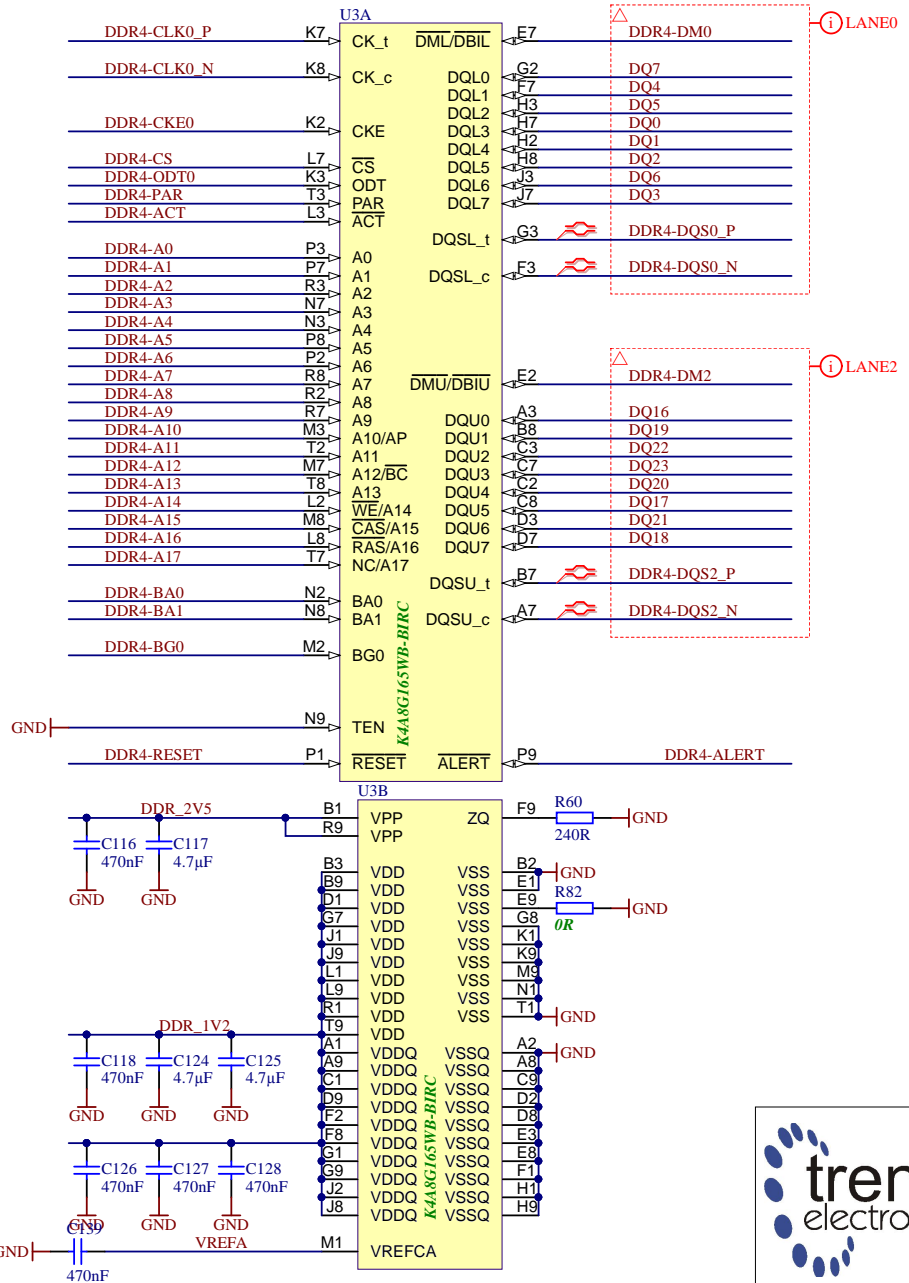
B

C

C

D

D



Title: TE0807 - DDR4_2_RAM		
A4	Number: TE0807 07EV-1E	Rev. 02
Date: 2018-07-09	Copyright: Trenz Electronic GmbH / TT	Page 19 of 28
Filename: DDR4-RAM_2.SchDoc		

1

2

3

4

1

2

3

4

A

A

B

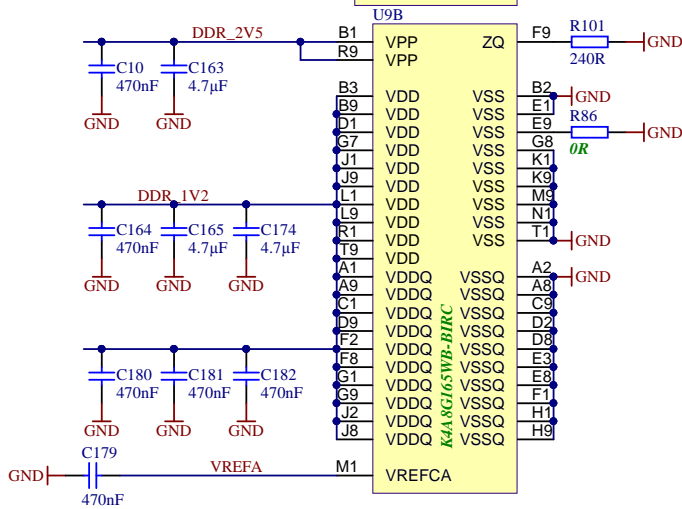
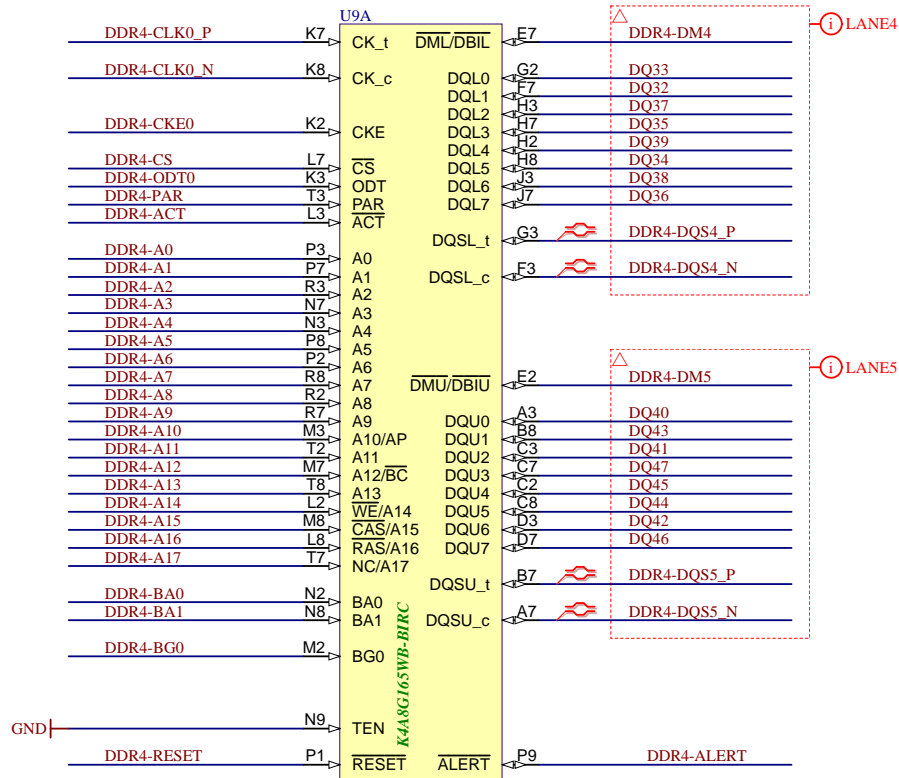
B

C

C

D

D



Title: TE0807 - DDR4_3_RAM		
A4	Number: TE0807 07EV-1E	Rev. 02
Date: 2018-07-09	Copyright: Trenz Electronic GmbH / TT	Page20 of 28
Filename: DDR4-RAM_3.SchDoc		

1

2

3

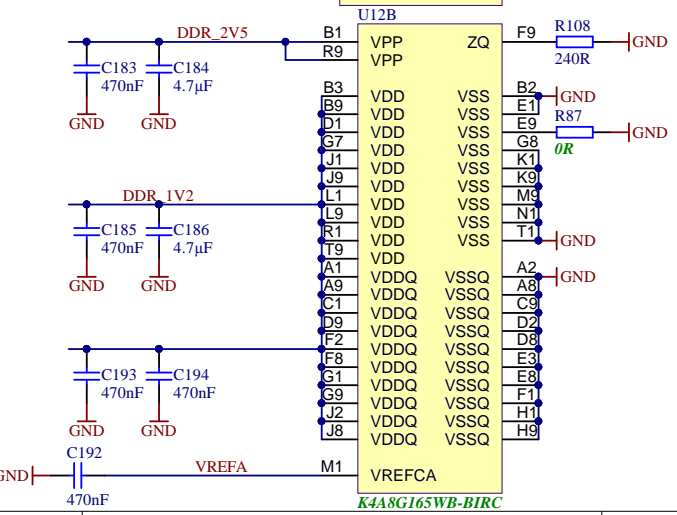
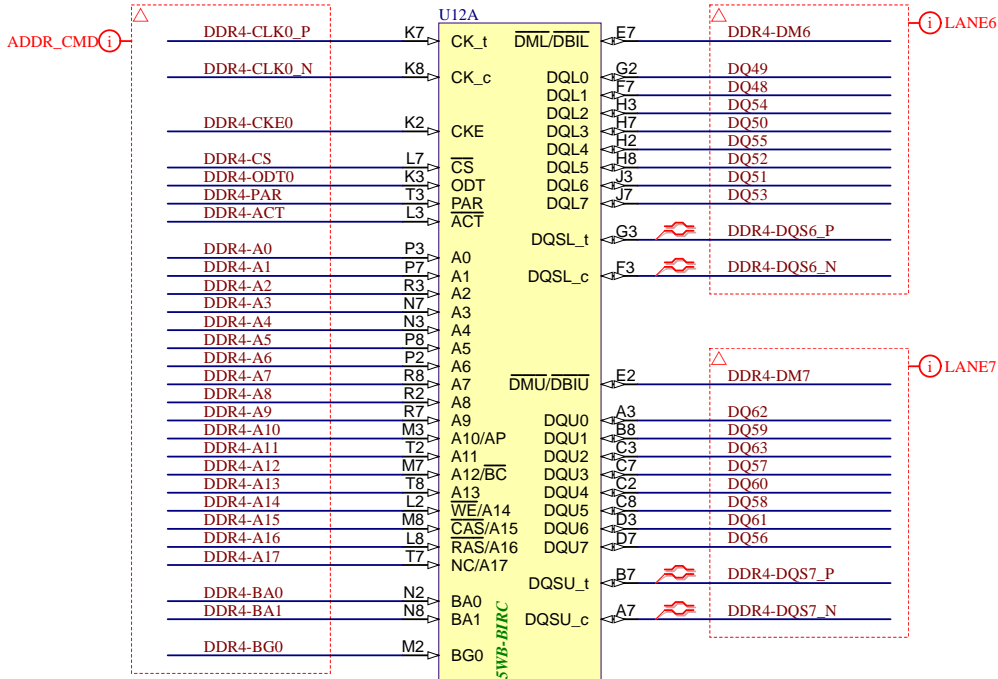
4

1

2

3

4



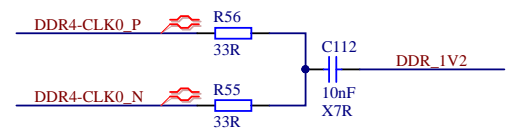
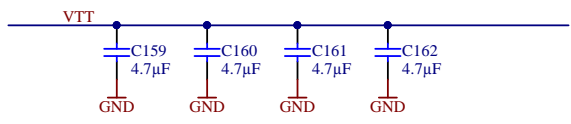
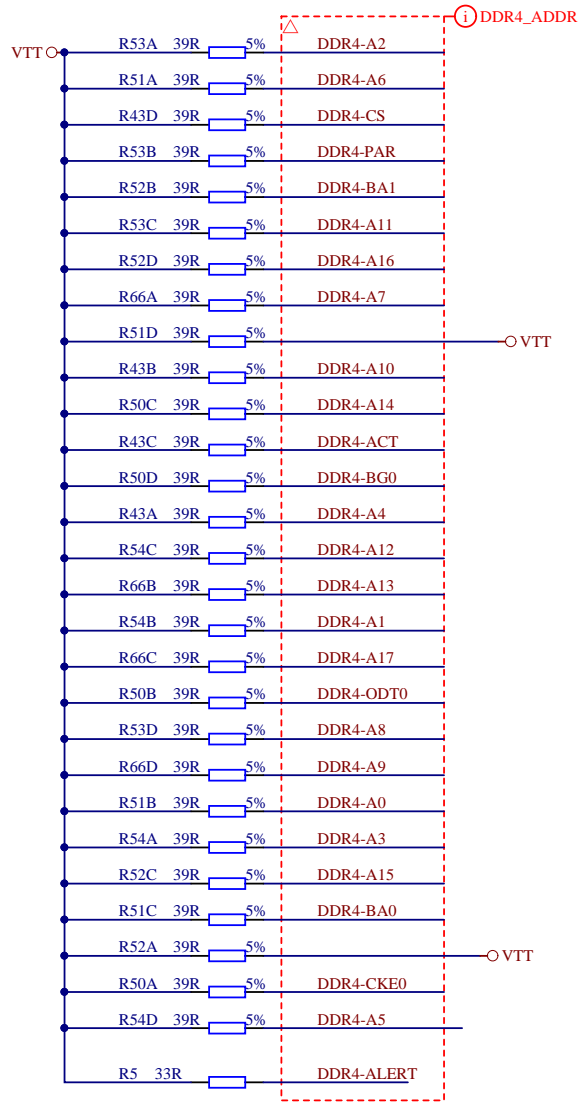
Title: TE0807 - DDR4_4_RAM		
A4	Number: TE0807 07EV-1E	Rev. 02
Date: 2018-07-09	Copyright: Trenz Electronic GmbH / TT	Page21 of 28
Filename: DDR4-RAM_4.SchDoc		


1

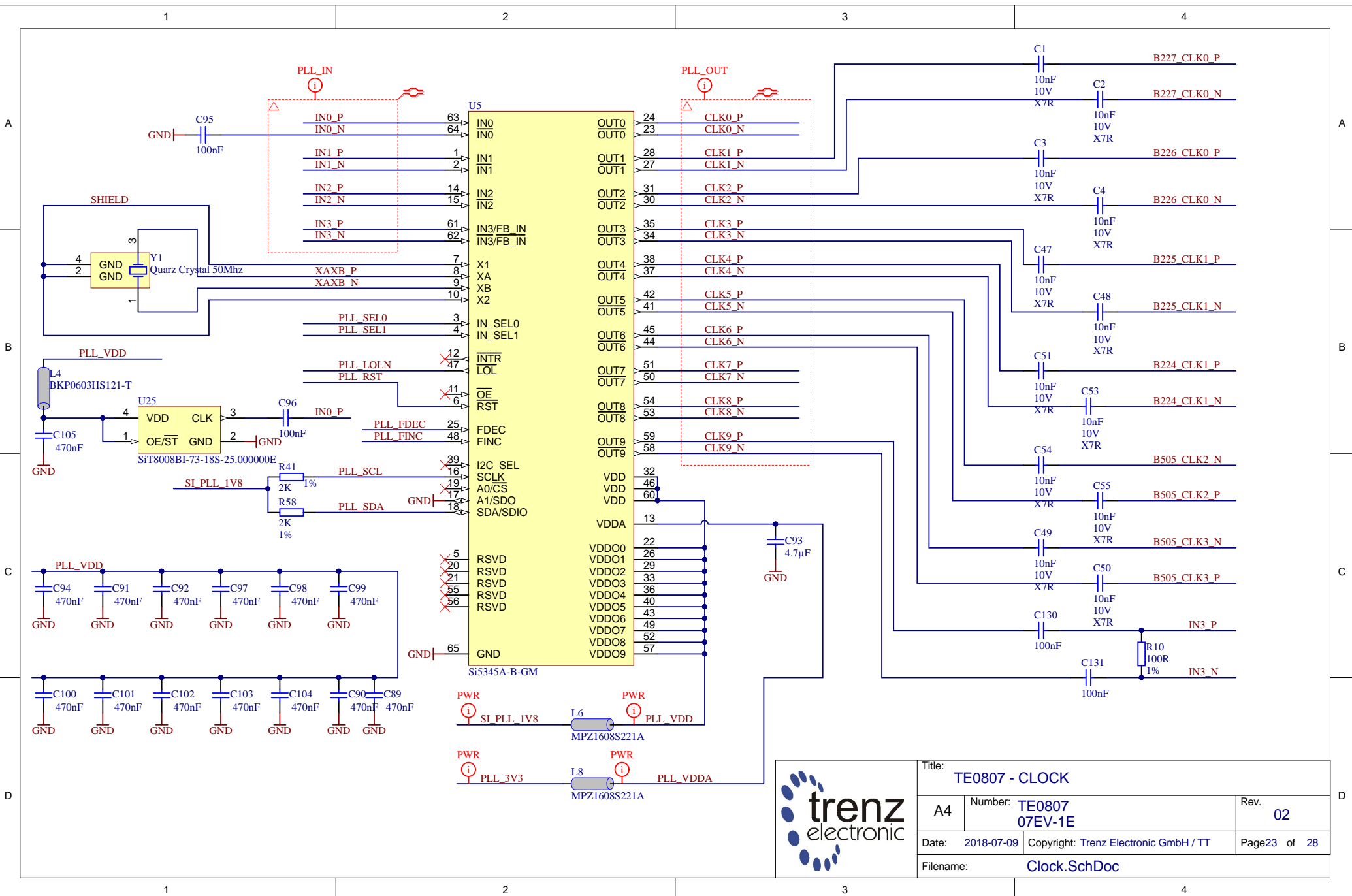
2

3

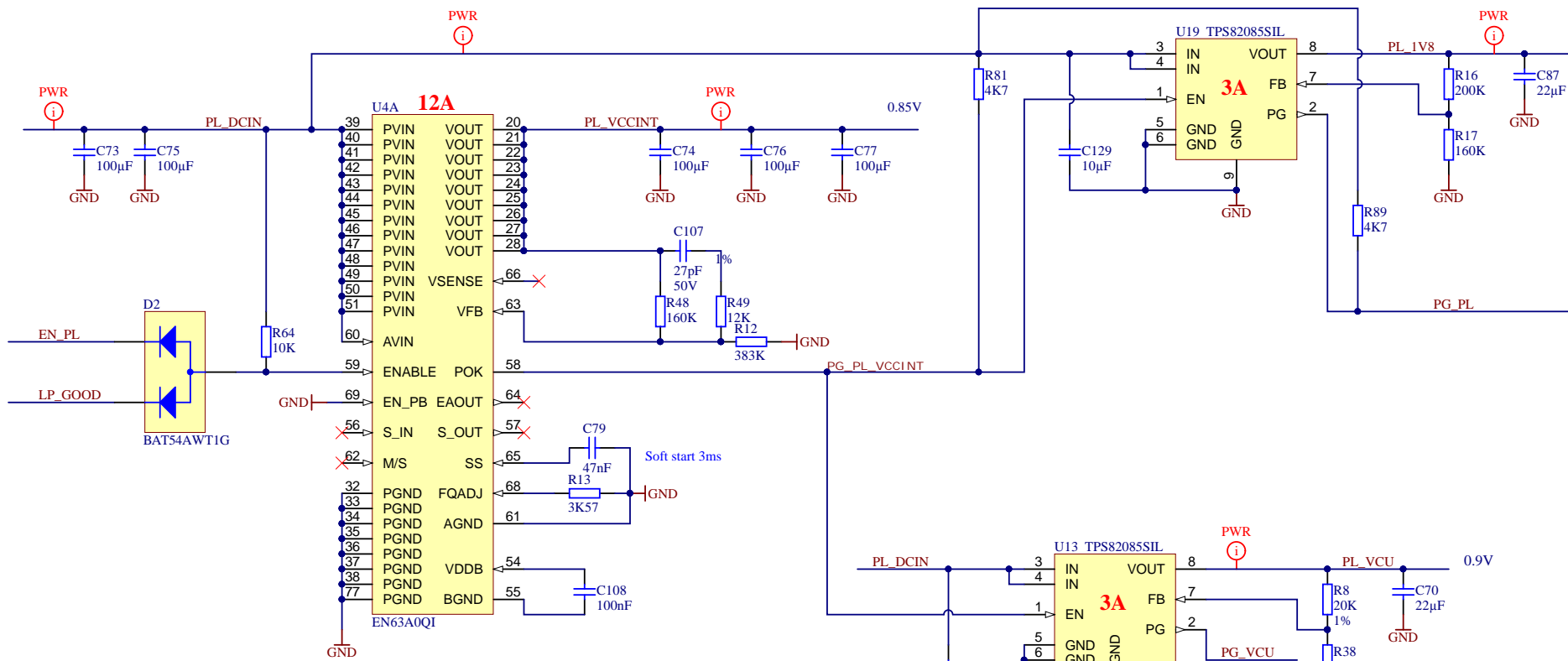
4



		Title: TE0807 - DDR4_TERM			
		A4	Number: TE0807 07EV-1E	Rev. 02	
		Date: 2018-07-09	Copyright: Trenz Electronic GmbH / TT		Page22 of 28
		Filename: DDR4-TERM.SchDoc			



Title: TE0807 - CLOCK		
A4	Number: TE0807 07EV-1E	Rev. 02
Date: 2018-07-09	Copyright: Trenz Electronic GmbH / TT	Page23 of 28
Filename: Clock.SchDoc		

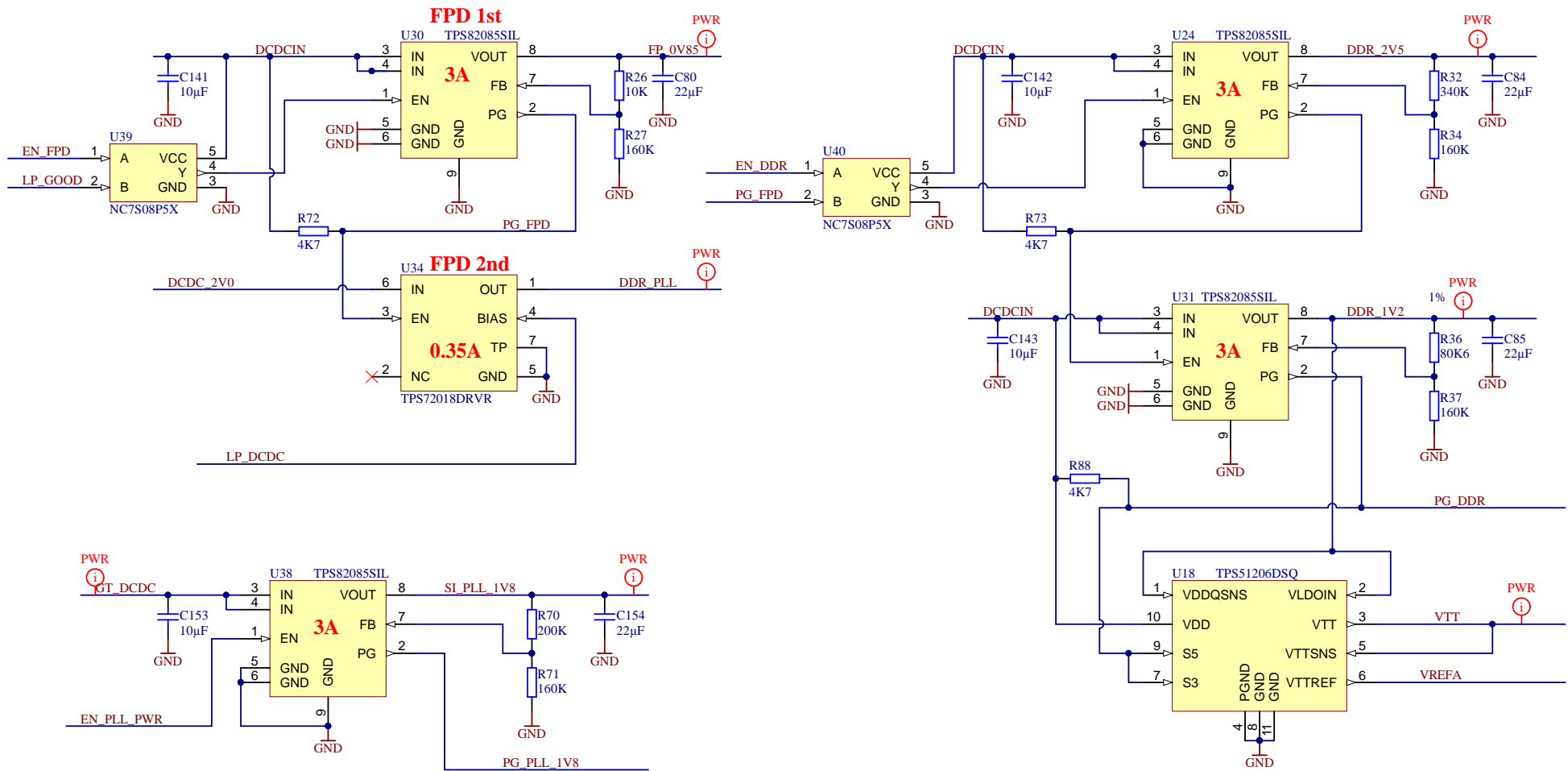


U4B

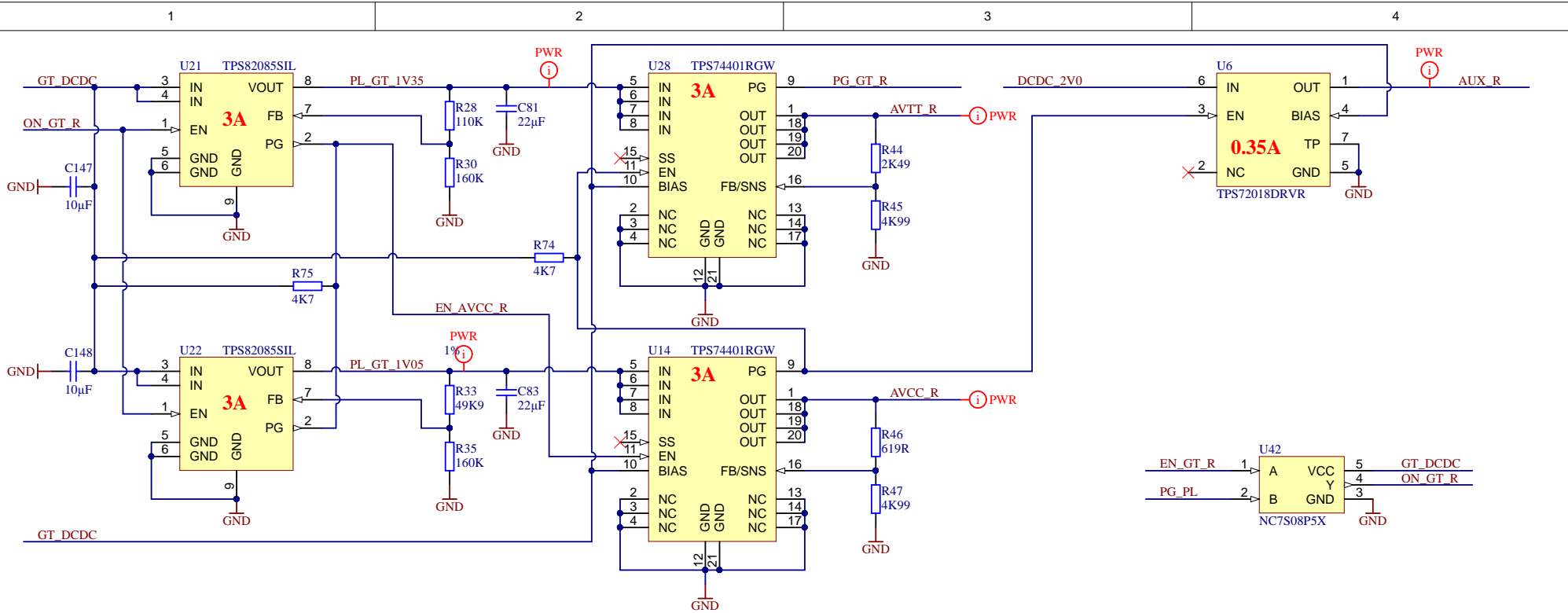
1	NC	NC	17
2	NC	NC	18
3	NC	NC	19
4	NC	NC	29
5	NC	NC	30
6	NC	NC(SW)	31
7	NC	NC(SW)	52
8	NC	NC	53
9	NC	NC	67
10	NC	NC(SW)	70
11	NC	NC(SW)	71
12	NC	NC(SW)	72
13	NC	NC	73
14	NC	NC	74
15	NC	NC	75
16	NC	NC	76

EN63A0QI

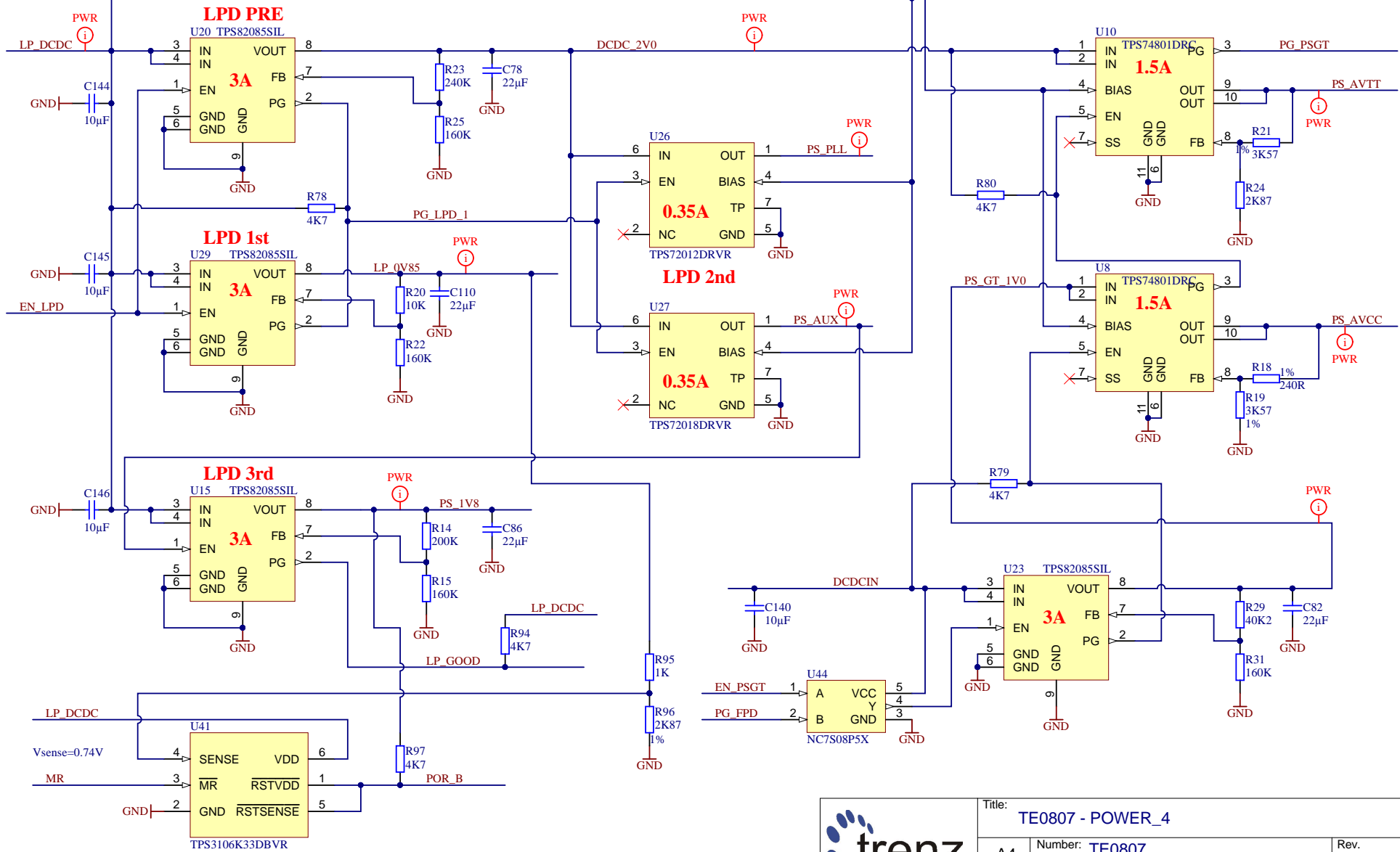
	Title: TE0807 - POWER		
	A4	Number: TE0807 07EV-1E	Rev. 02
	Date: 2018-07-09	Copyright: Trenz Electronic GmbH / TT	Page24 of 28
	Filename: POWER.SchDoc		



Title: TE0807 - POWER_2		
A4	Number: TE0807 07EV-1E	Rev. 02
Date: 2018-07-09	Copyright: Trenz Electronic GmbH / TT	Page 25 of 28
Filename: POWER_2.SchDoc		



Title: TE0807 - POWER_3		
A4	Number: TE0807 07EV-1E	Rev. 02
Date: 2018-07-09	Copyright: Trenz Electronic GmbH / TT	Page26 of 28
Filename: POWER_3.SchDoc		



	Title: TE0807 - POWER_4	
	A4	Number: TE0807 07EV-1E
	Date: 2018-07-09	Copyright: Trenz Electronic GmbH / TT
	Rev. 02	Page 27 of 28
Filename: POWER_4.SchDoc		

1

2

3

4

CHANGES REV01 to REV02

- 1) Added EEPROM (U11,24AA025E48T-I/OT)
- 2) Added optional resistors R39/R40 for QSPI flash (do not populated)
- 3) Fixed VCU connection (added additional DCDC and capacitors), recommendation from Xilinx
- 4) Changed obsolete DDR4 chips (NT5AD256M16B2-GN -> K4A8G165WB-BIRC)
- 5) Added net "PG_VCU" to J2 (pin97)
- 6) full update lib

A

A

B

B

C

C

D

D



Title: TE0807 - Changes list		
A4	Number: TE0807 07EV-1E	Rev. 02
Date: 2018-07-09	Copyright: Trenz Electronic GmbH	Page28 of 28
Filename: Revision_Changes.SchDoc		

1

2

3

4