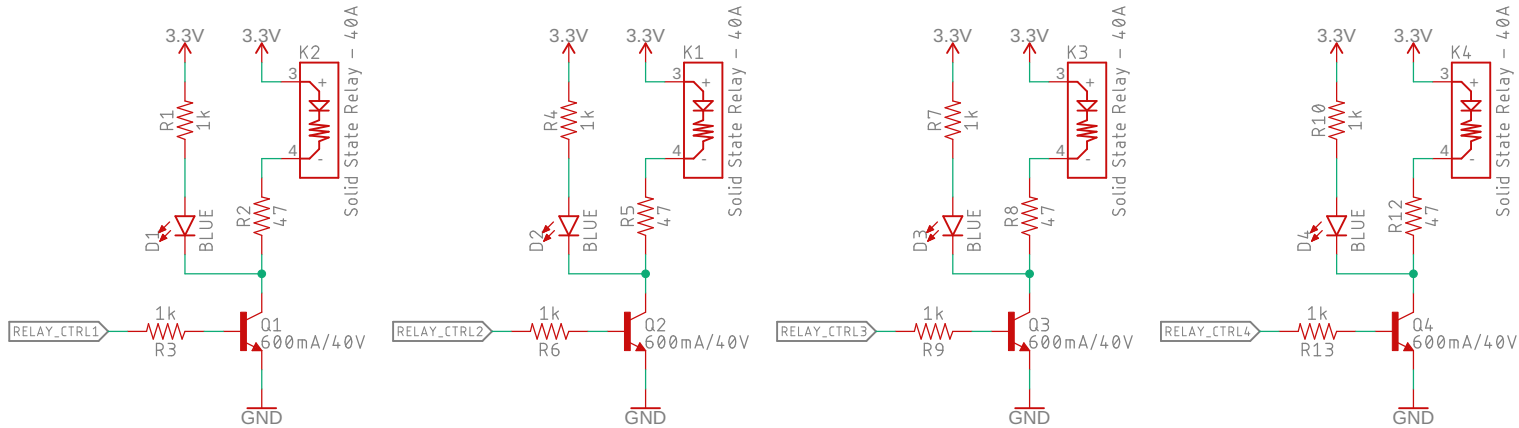
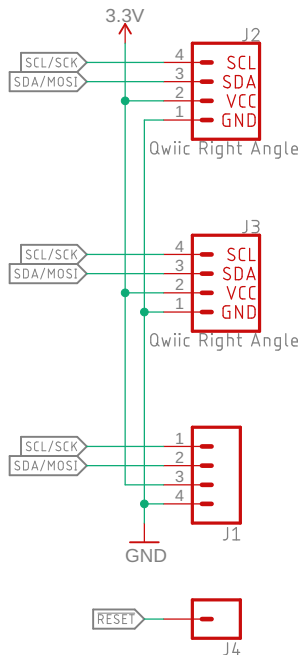


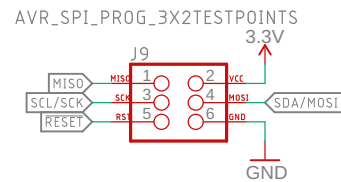
## Relay Control



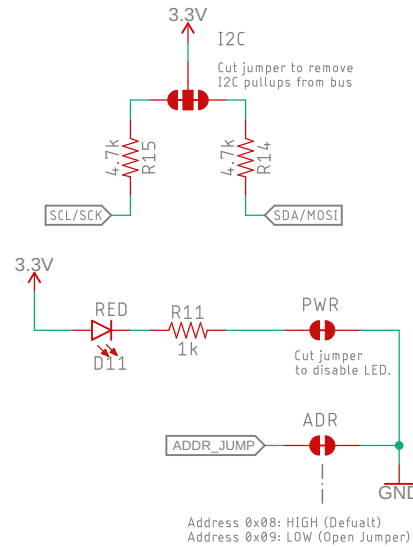
## Connectors



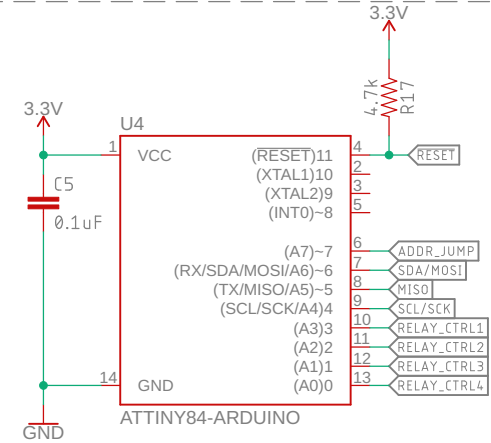
## Programming Header



## Jumpers



## ATtiny84 VIN: 2.7-5.5V



**sparkfun**   
open hardware

Released under the Creative Commons

Attribution Share-Alike 4.0 License

<https://creativecommons.org/licenses/by-sa/4.0/>



TITLE: Qwiic Solid State Relay

Design by: Andy England

REV:  
v10

Date: 7/15/2020 3:27 PM

Sheet: 1/1