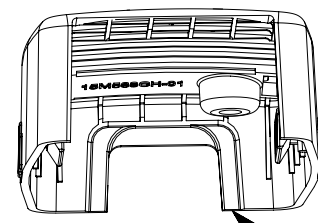




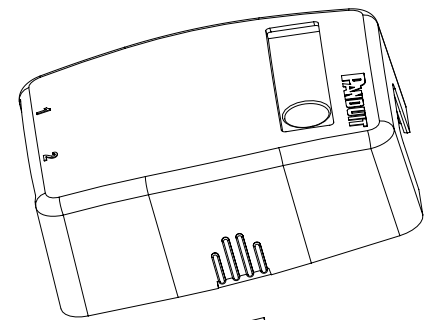
2

1

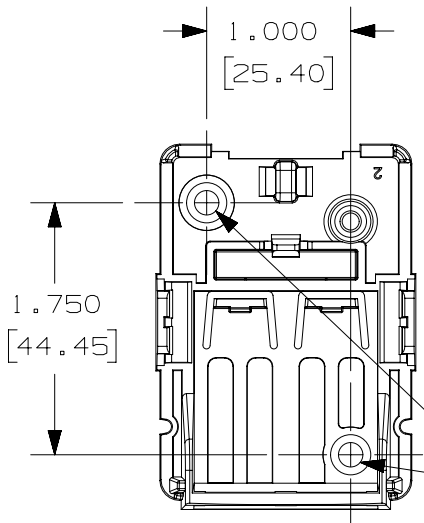
THIS COPY IS PROVIDED ON A RESTRICTED BASIS AND IS NOT TO BE USED IN ANY WAY DETRIMENTAL TO THE INTERESTS OF PANDUIT CORP.



BREAKOUT AREA



PAN-TY LOOP FOR CABLE HOLD-DOWN



MOUNTING HOLES FOR #6 COUNTERSUNK SCREW (NOT INCLUDED)

PART NUMBER		SEE TABLE	
TITLE			
MINI-COM 2 PORT SHUTTERED CAT 6A SURFACE MOUNT BOX KIT			
CUSTOMER DRAWING			
ITEM REVISION NAME		15M583CI/13	
DATASET FILE NAME		15M583CI_DC05/13A	
UNLESS OTHERWISE SPECIFIED, DIMENSIONAL TOLERANCES ARE: IN (mm)		<b>PANDUIT</b>	
.X ± .XX ±		.XXX ± ANGLES ±	
DRAWN BY		DATE	
BJN		4-6-16	
CHK		SCALE	
JCO		NONE	
DRAWING NUMBER:		SHT 2 OF 2	
15M583CI-05		A	

REV	DATE	BY	CHK	APR	DESCRIPTION	ECN
1	8-09-16	MDJR	JCO	MMR	SEE SHEET 1 FOR REVISION HISTORY	15M583CI-05
R	4-11-16	BJN	JCO	MMR	SEE SHEET 1 FOR REVISION HISTORY	15M583CI-05

D10100DA/14

2

1