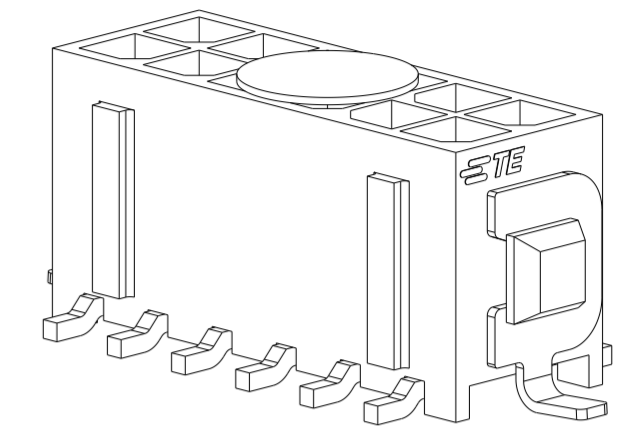
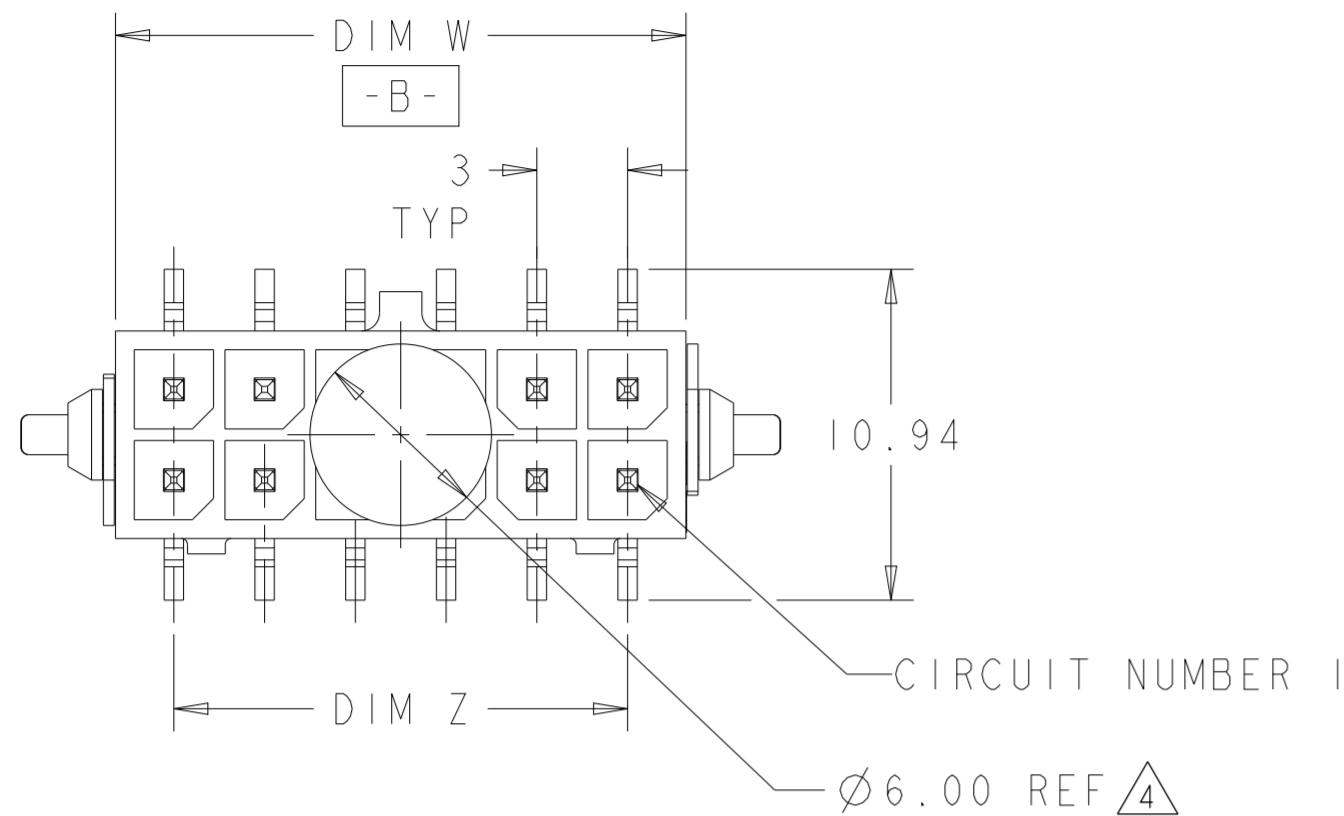
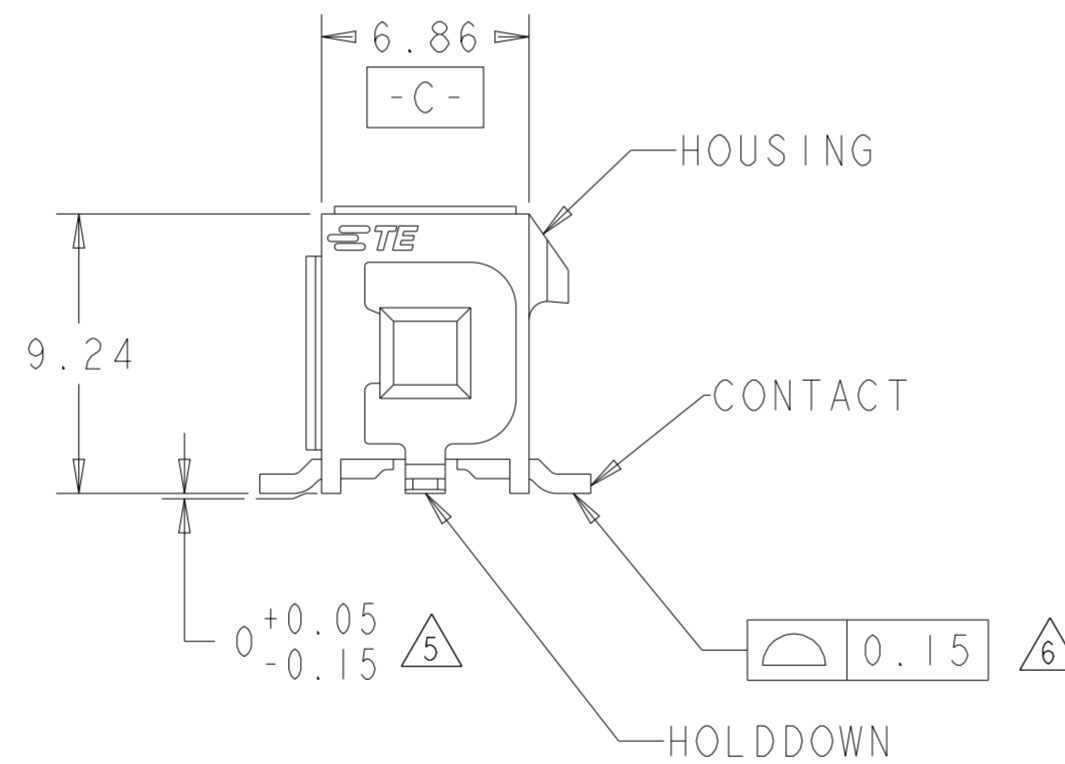
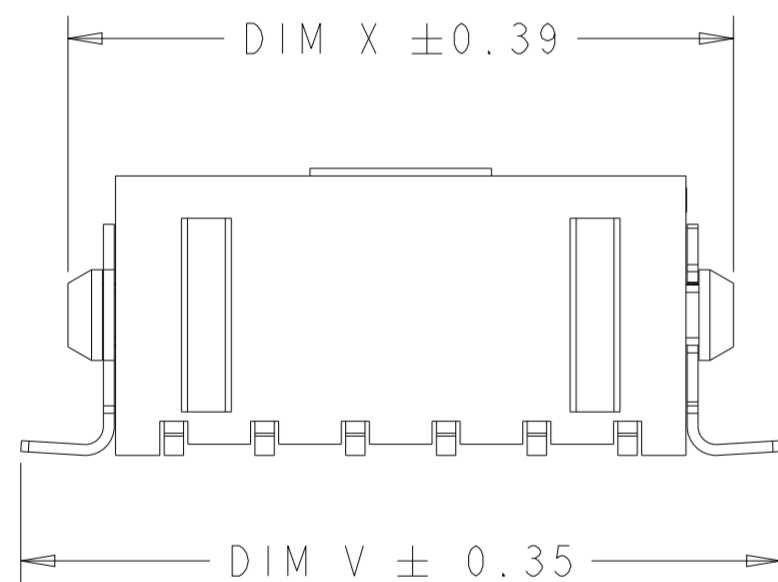


P	LTR	DESCRIPTION	DATE	DWN	APVD
C1		REVISED PER ECR-17-017609	04DEC2017	JB	DZ
C2		ECO-19-006934	13MAY2019	AP	WS
C3		REVISED PER ECN-23-206968	12APR2023	WLS	VS



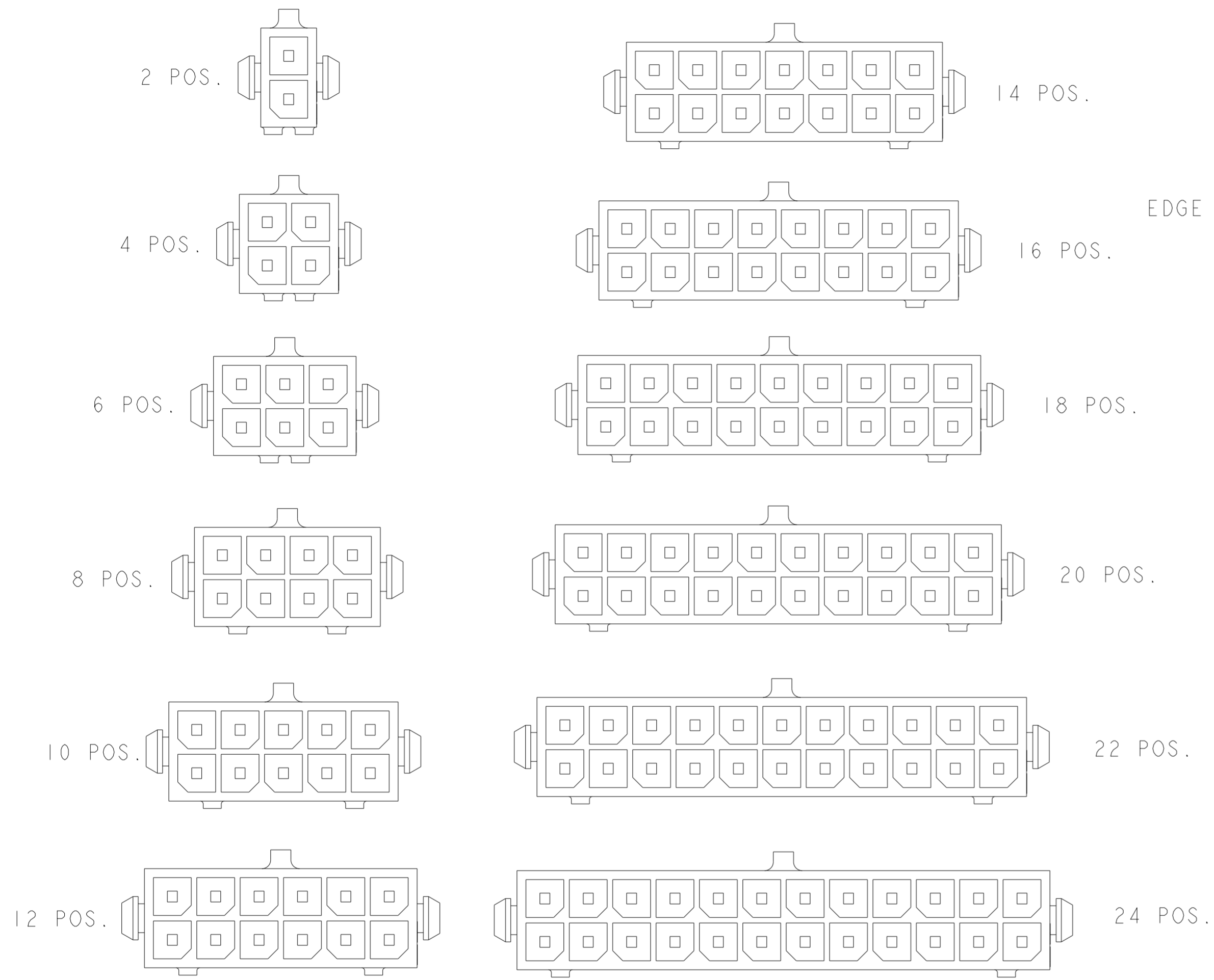
- $\triangle 1$ MATERIAL:
HOUSING - UL 94V-0 RATED HIGH TEMP NYLON, COLOR BLACK.
CONTACTS - BRASS.
HOLDDOWNS - PHOSPHOR BRONZE.
- $\triangle 2$ PLATING:
CONTACTS - 0.76 μm MINIMUM GOLD ON MATING AREA.
2.54 μm MINIMUM MATTE TIN ON SOLDER TAILS.
ALL OVER 1.27 μm MINIMUM NICKEL.
HOLDDOWNS - 2.54 μm MINIMUM MATTE TIN OVER 1.27 μm MINIMUM NICKEL.
- $\triangle 3$ RECOMMENDED PC BOARD THICKNESS OF 1.57.
- $\triangle 4$ KAPTON VACUUM PICK UP BUTTON.
- $\triangle 5$ DIMENSION APPLIES TO SOLDER TAIL SURFACES AND STANDOFF SURFACES.
- $\triangle 6$ ALL SOLDER TAILS AND HOLDDOWNS.
- 7 SPECIAL PACKAGING FOR IEC 286-3 REQUIREMENT. PARTS ORIENTED 180° DIFFERENT IN TAPE THAN STANDARD PART NUMBER 794638.
- 8 COUNTERPART RECOMMENDED IS PN 794617 (DASH ACC. TO NUMBER OF POSITION).
- 9 FOR REELING DIRECTION AND PACKAGING TYPE, SEE SPECIFICATION 114-13000.



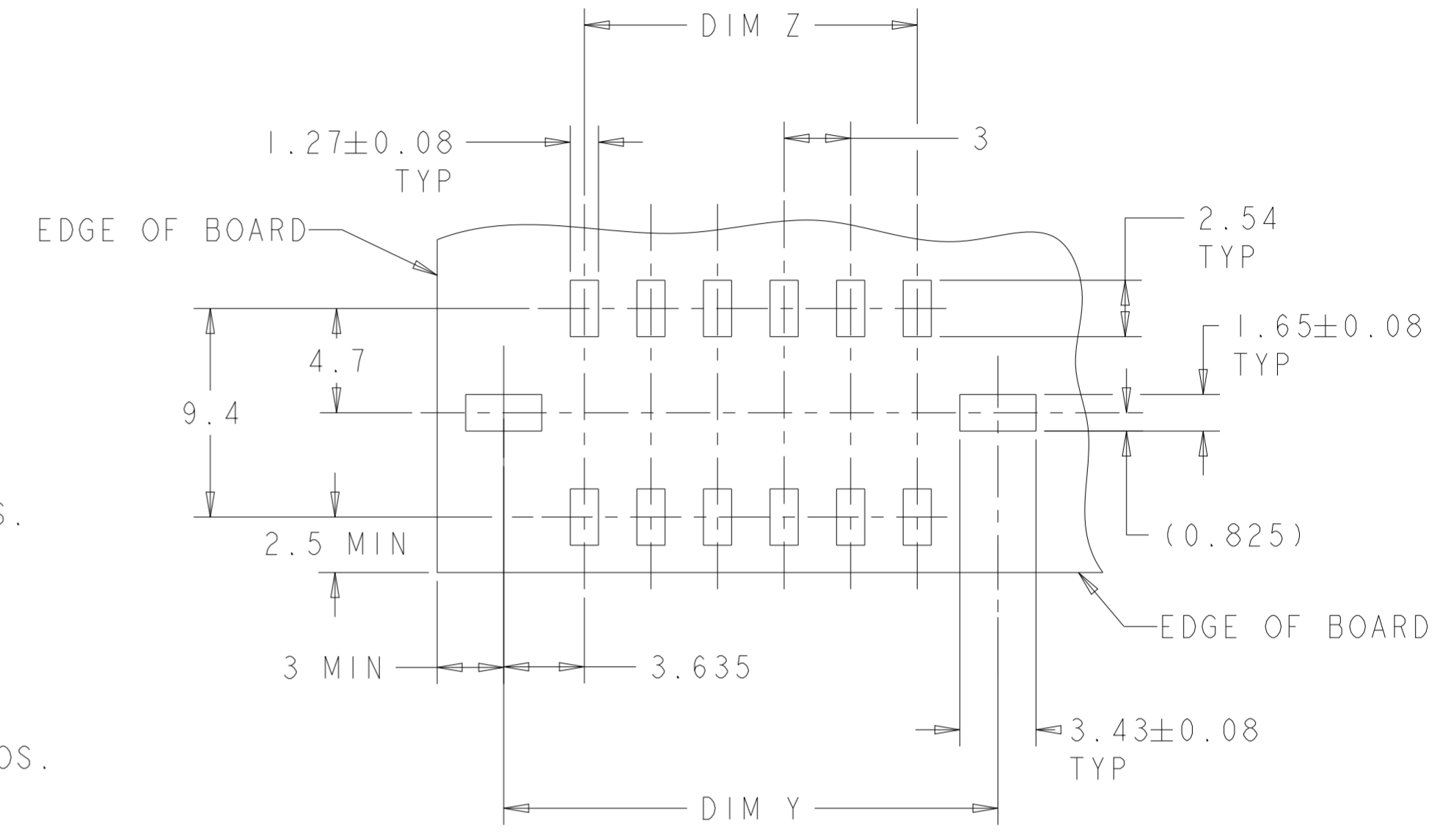
18.86	22.27	15.00	22.00	12	4-1586835-2
DIM W	DIM Y	DIM Z	DIM X	NO. OF POSN.	PART NUMBER

THIS DRAWING IS A CONTROLLED DOCUMENT.		DWN K. WHITAKER 12MAR2007	TE Connectivity																
DIMENSIONS: mm		CHK C. JONES 12MAR2007																	
TOLERANCES UNLESS OTHERWISE SPECIFIED:		APVD C. JONES 12MAR2007	NAME HEADER ASSY, VERTICAL SURFACE MOUNT, SURF MNT HOLDDOWN, 30 GOLD, DUAL ROW, SPCL PKGING, MICRO MATE-N-LOK(TM)																
<table border="0"> <tr> <td>0 PLC</td> <td>±</td> </tr> <tr> <td>1 PLC</td> <td>±</td> </tr> <tr> <td>2 PLC</td> <td>±0.13</td> </tr> <tr> <td>3 PLC</td> <td>±</td> </tr> <tr> <td>4 PLC</td> <td>±</td> </tr> <tr> <td>ANGLES</td> <td>±1°</td> </tr> <tr> <td>FINISH</td> <td></td> </tr> </table>		0 PLC	±	1 PLC	±	2 PLC	±0.13	3 PLC	±	4 PLC	±	ANGLES	±1°	FINISH		PRODUCT SPEC 108-1836	SIZE 114-13000		
0 PLC	±																		
1 PLC	±																		
2 PLC	±0.13																		
3 PLC	±																		
4 PLC	±																		
ANGLES	±1°																		
FINISH																			
MATERIAL $\triangle 1$		APPLICATION SPEC 114-13000	WEIGHT -	RESTRICTED TO -															
		CUSTOMER DRAWING	SCALE 4:1	SHEET 1 OF 2	REV C3														

REVISIONS					
P	LTR	DESCRIPTION	DATE	DWN	APVD
-	-	SEE SHEET 1	-	-	-



KEYING BY POSITION SIZE



RECOMMENDED PCB LAYOUT (COMPONENT SIDE) $\triangle 3$

THIS DRAWING IS A CONTROLLED DOCUMENT.		DWN K. WHITAKER 12MAR2007	TE Connectivity	
DIMENSIONS: mm		CHK C. JONES 12MAR2007		
TOLERANCES UNLESS OTHERWISE SPECIFIED:		APVD C. JONES 12MAR2007	NAME HEADER ASSY, VERTICAL SURFACE MOUNT, SURF MNT HOLDDOWN, 30 GOLD, DUAL ROW, SPCL PKGING, MICRO MATE-N-LOK (TM)	
0 PLC ±	1 PLC ±	PRODUCT SPEC 108-1836	SIZE A2	CAGE CODE 00779
2 PLC ±0.13	3 PLC ±	APPLICATION SPEC 114-13000	DRAWING NO C-1586835	RESTRICTED TO -
4 PLC ±	ANGLES ±1°	WEIGHT -	SCALE 4:1	SHEET 2 OF 2
MATERIAL -	FINISH -	CUSTOMER DRAWING	REV C3	