



**120 ° Adjustable
Illumination**



**6 ft Power Cord
w/ 100V Plug**

**High
Brightness**

28 Watt
LEDs

**Glass
Diffuser**

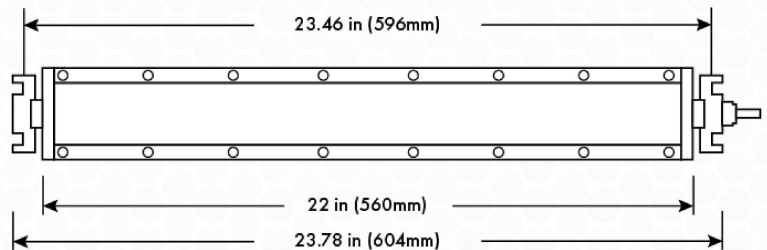
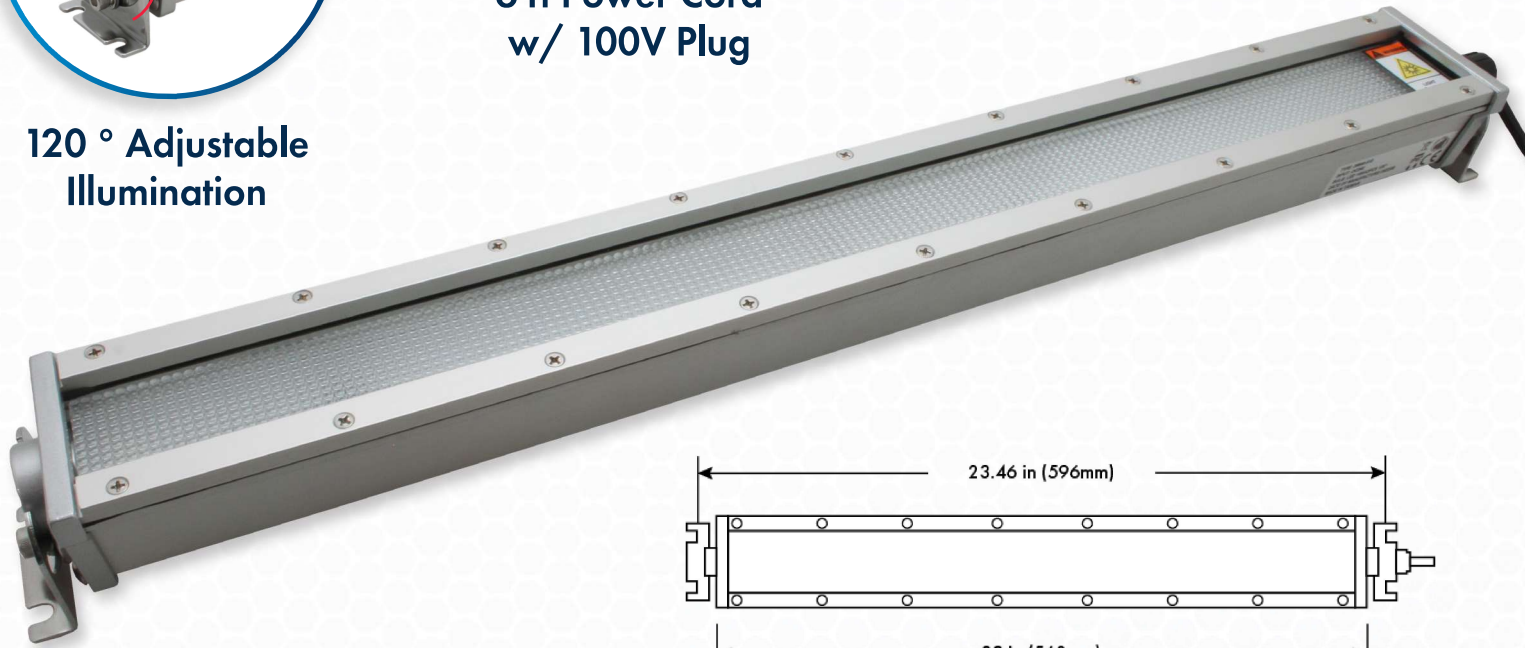
Reinforced &
crack resistant

**Long LED
Life**

Up to 40,000
hours of LED life

**Angle Light
0° - 120°**

Adjustable
mounting
bracket



Machine Light

LED Strip Light 28 Watt 22 in (560mm)

Aven's LED Strip light 28 watt produces bright even lighting over a wide angle and has an aluminum body with a glass diffuser lens. The glass diffuser lens is reinforced and crack resistant. The strip light is 22 inches in length and comes with a 6 foot cord with plug and mounting bracket. The mounting bracket allows you to angle the light from 0 ° to 120 ° degrees for optimum illumination. This LED strip light can be mounted under cabinets, workstations, machining centers and anywhere bright even lighting is required.

Key Features

- 28 watt LED lights
- 40,000 hours of LED life
- Tempered glass diffuser lens
- Color Temperature 5600K - 6000K
- Aluminum body
- Strip light can be angled 0 ° to 120 ° degrees

Machine Light <i>LED Strip Light 28 Watt 22 in (560mm)</i>	
Item #	26600-510
LED Watts	28 watts
LED Life	40,000 Hours
Color Temperature	5600K - 6000K
Illumination Angle	0° - 120° Degrees
Lens Type	Glass
Body Type	Aluminum
Cable Length	6 ft with plug
Operating Temperature Range	-30°C to +40°C -22°F to +104°F
Package Contents	<ul style="list-style-type: none"> • Machine Light • Mounting Bracket w/ Hardware • 6ft cable w/ plug