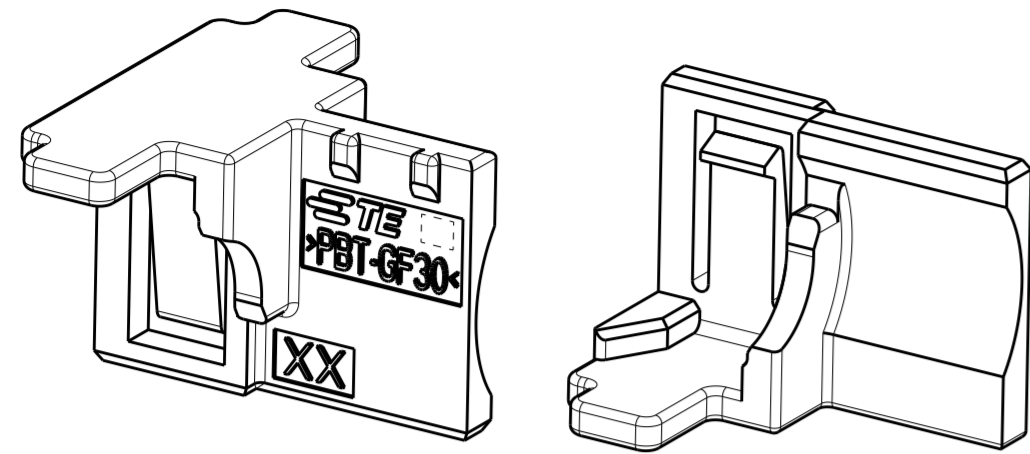
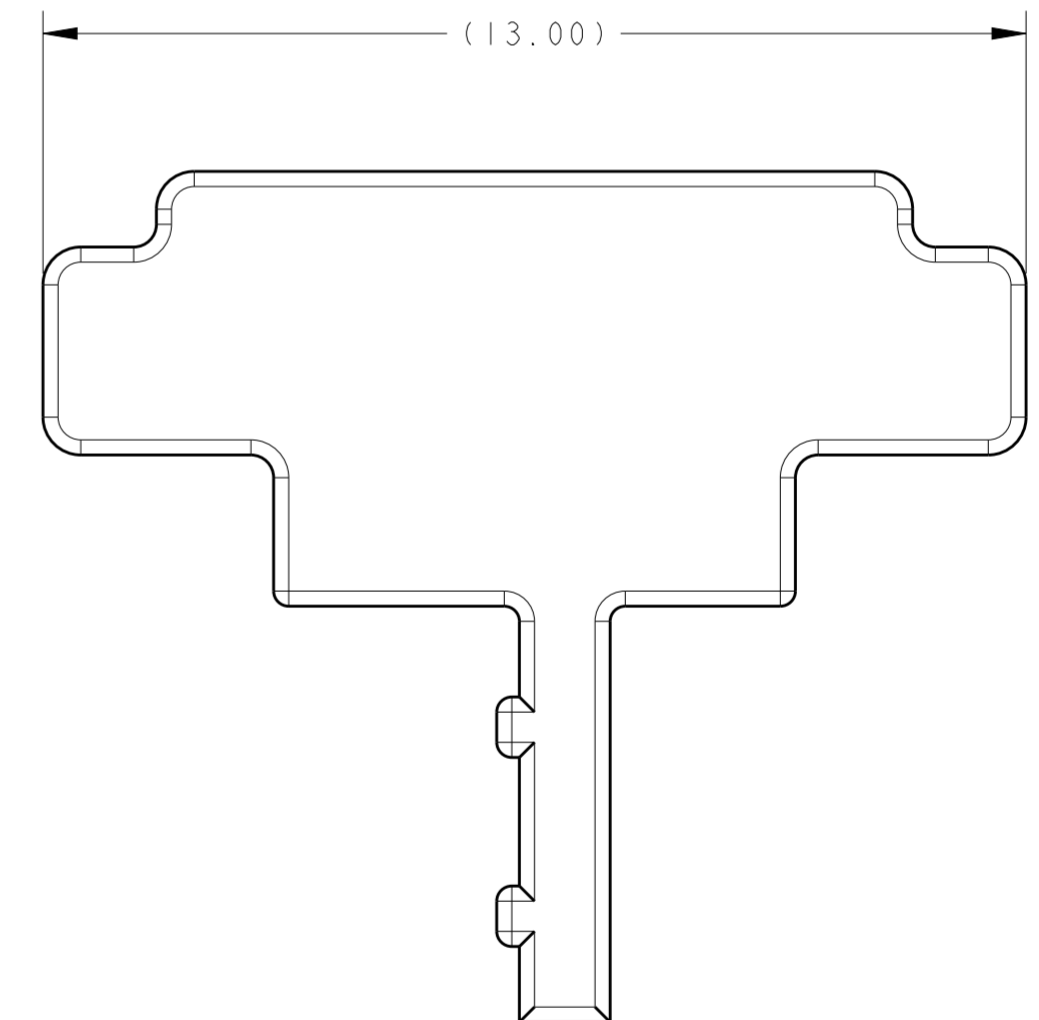
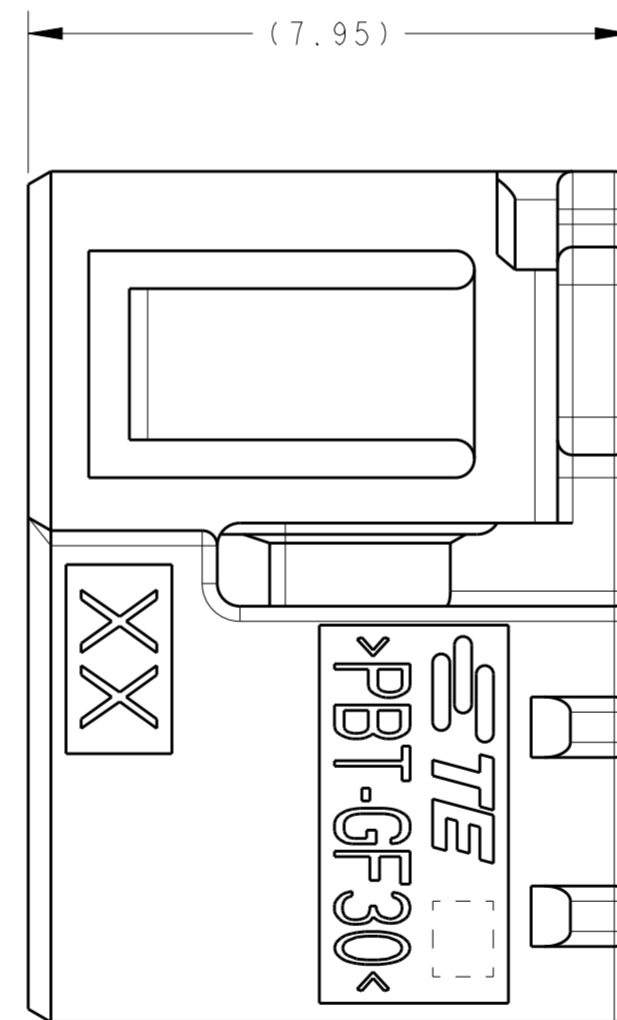
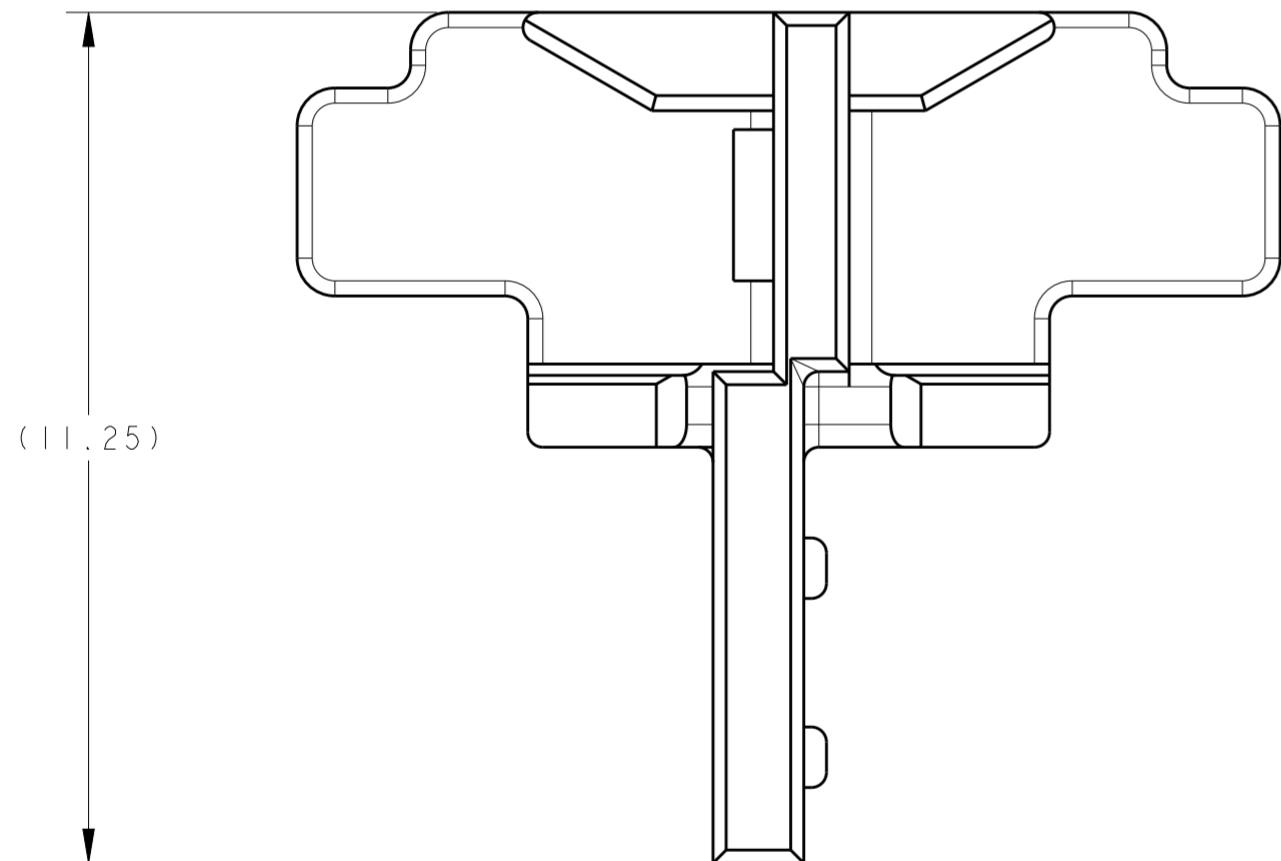


REVISIONS

P	LTR	DESCRIPTION	DATE	DWN	APVD



ISOMETRIC VIEWS  
SCALE 5:1



2314551-1

PART  
NUMBER

THIS DRAWING IS A CONTROLLED DOCUMENT.

DWN J.A. BAKER 31MAY2017

CHK E.R. LOVE 31MAY2017

APVD J.W. HALL 25FEB2020

PRODUCT SPEC

108-32137

APPLICATION SPEC

114-32145

WEIGHT 0.23g

CUSTOMER DRAWING

**STE** TE Connectivity

NAME FEMALE SECONDARY LOCK, 2 POSITION,  
AUTOMATED FAKRA

SIZE CAGE CODE DRAWING NO RESTRICTED TO

A200779 C-2314551

SCALE 10:1 SHEET OF REV A

⚠ MATERIAL: POLYESTER PBT, GLASS FILLED. COLOR: WATER BLUE..