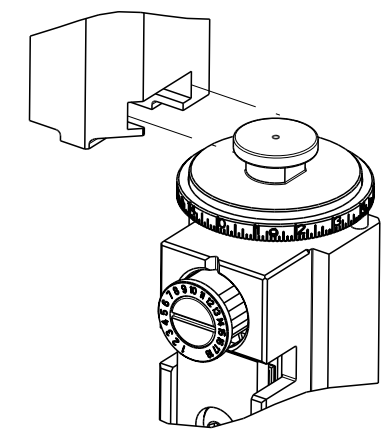


| PART NUMBER | REVISION | DESCRIPTION                      | FEED TYPE  |
|-------------|----------|----------------------------------|------------|
| 2266359-1   | C        | FINE CRIMP HEIGHT ADJUST         | MECHANICAL |
| 2266359-2   | C        | FINE CRIMP HEIGHT ADJUST         | PNEUMATIC  |
| 7-2266359-1 | C        | MECHANICAL AND CRIMP TOOLING KIT | MECHANICAL |
| 7-2266359-2 | C        | PNEUMATIC AND CRIMP TOOLING KIT  | PNEUMATIC  |
| 7-2266359-7 | A        | CRIMP TOOLING KIT                | -          |

ATLANTIC VERSION TERMINATOR INTERFACE ADAPTER

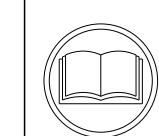


| APPLICATOR DATA |                |      |
|-----------------|----------------|------|
| CRIMP           | SIZE           | TYPE |
| WIRE            | 2.77 mm [.109] | F    |
| INSUL           | 3.86 mm [.152] | F    |

APPLICATOR INSTRUCTIONS 408-35042

|   |   |                              |                |
|---|---|------------------------------|----------------|
| TERMINAL DATA: DELPHI TERMINAL DELPHI CRIMP SPECIFICATION |   |                              |                |
| TERMINAL NAME: TERMINAL, F PAC/ON III                     |   |                              |                |
| WIRE STRIP LENGTH   |   | INSULATION DIAMETER RANGE    |                |
| 4.86-5.62 mm [.191-.221 IN]                               |   | ∅2.45-3.10 mm [.096-.122 IN] |                |
| TERMINAL APPLICATION SPECIFICATION                        | DELPHI Crimp Information Sheet page 3 of 13 |                              |                |
| TERMINALS APPLIED   |   |                              |                |
| TE TERMINAL   | DELPHI TERMINAL                             | TE TERMINAL                  | FARGO TERMINAL |
| 286575-1  | 12020321                                    | 286575-3                     | TF-14PCIUC     |
| 286575-2  | 12089950                                    |                              |                |

| WIRE SIZE | CRIMP HEIGHT mm [INCH]      | CRIMP HEIGHT REFERENCE SETTING |
|-----------|-----------------------------|--------------------------------|
| 2.00mm2   | 1.80+/-0.05 [1.071+/-0.002] | 8.4                            |
| 1.00mm2   | 1.65+/-0.05 [1.065+/-0.002] | 9.5                            |



- 1 RECOMMENDED SPARE PARTS
- 2 REFER TO SUPPLIED INSTRUCTION SHEET FOR CLEANING, LUBRICATION AND STORAGE OF APPLICATOR.
- 3 APPLY PART NUMBER 2-23419-6 LOCTITE TO THREADS OF ITEM 242.
- 4 CRIMP HEIGHT REFERENCE SETTING WAS THE SETTING USED WHEN THE APPLICATOR WAS QUALIFIED AT THE FACTORY. ADJUSTMENT MAY BE NECESSARY WHEN RUNNING APPLICATOR IN THE FIELD.
5. UNLESS SPECIFIED OTHERWISE TORQUE VALUES SHALL BE USED PER DOCUMENT, 101-35000.

**\*WARNING**  
ON INSTALLATION, SET WIRE DISC TO CRIMP HEIGHT REFERENCE SETTING FOR LARGEST WIRE SIZE. CRIMP HEIGHT REFERENCE SETTINGS GREATER THAN THE VALUE SHOWN MAY CAUSE DAMAGE TO THE CRIMP TOOLING, REFER TO THE INSTRUCTION SHEET FOR PROPER SETUP AND ADJUSTMENTS.

ATLANTIC VERSION  
Shown on sheets 1 of 4 & 2 of 4  
(Pacific version shown on sheets 3 of 4 & 4 of 4)

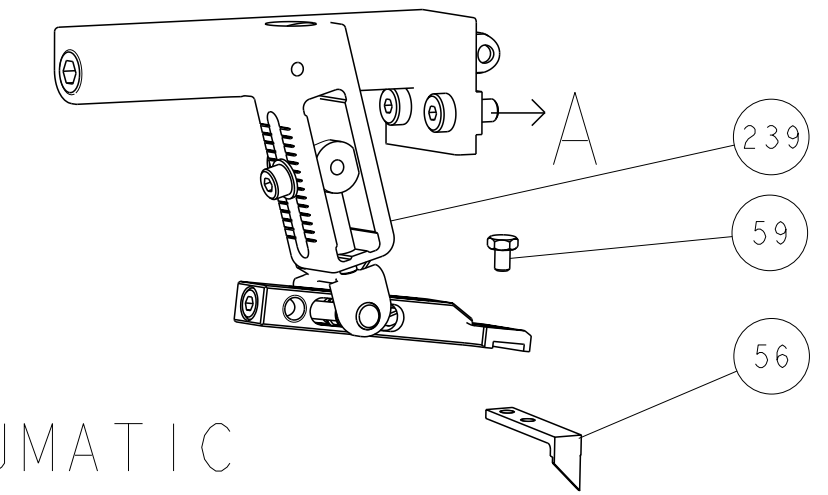
| LOC | DIST | REVISIONS |     |               |           |     |      |
|-----|------|-----------|-----|---------------|-----------|-----|------|
|     |      | #         | LY# | DESCRIPTION   | DATE      | OWN | APVD |
| A   | 66   | A         |     | RELEASED      | 29JUL2014 | LG  | GB   |
|     |      | B         |     | ECR-18-011248 | 16JUL2018 | AW  | CT   |
|     |      | C         |     | ECR-19-014742 | 20SEP2019 | FJ  | TE   |

|   |     |     |     |     |             |                                     |                               |   |
|---|-----|-----|-----|-----|-------------|-------------------------------------|-------------------------------|---|
| - | 1   | 1   | 1   | 1   | 1803078-3   | SPACER, PRECISION                   | 259                           |   |
| - | 1   | -   | 1   | -   | 2119641-1   | FEED CAM, AIR FEED                  | 248                           |   |
| - | 1   | 1   | 1   | 1   | 2119082-4   | CAM, SNAIL, INSULATION ADJUSTMENT   | 244                           |   |
| - | 1   | 1   | 1   | 1   | 2079764-1   | WASHER, WAVE SPRING, CREST-TO-CREST | 243                           |   |
| - | 1   | 1   | 1   | 1   | 2119083-1   | RETAINER, INSULATION DIAL           | 242                           |   |
| - | 1   | 1   | 1   | 1   | 7-18023-7   | SCR, SKT HD CAP M3 X 4.0            | 241                           |   |
| - | -   | 1   | -   | 1   | 2119580-1   | MECHANICAL FEED ASSEMBLY            | 239                           |   |
| - | 1   | -   | 1   | -   | 2844940-1   | AIR FEED MODULE                     | 238                           |   |
| - | REF | REF | REF | REF | 994970-2    | COUNTER, MAGNETIC                   | 164                           |   |
| - | 1   | 1   | 1   | 1   | 2844908-1   | SCREW, LOCKING                      | 99                            |   |
| - | 1   | 1   | 1   | 1   | 2844907-1   | POST, LOCKING                       | 98                            |   |
| - | 1   | 1   | 1   | 1   | 1-455888-8  | SPACER, CRIMPER                     | 82                            |   |
| - | 1   | 1   | 1   | 1   | 1803607-3   | DOCUMENTATION PACKAGE               | 71                            |   |
| - | 1   | 1   | 1   | 1   | 2119740-1   | TAG, IDENTIFICATION                 | 67                            |   |
| - | 2   | 2   | 2   | 2   | 2168078-1   | SCREW, DRIVE, RH, RoHS, 2 x .188    | 66                            |   |
| - | 1   | 1   | 1   | 1   | 2168083-2   | SCR, SKT HD CAP, RoHS, M4 X 8.0     | 60                            |   |
| - | 1   | 1   | 1   | 1   | 5-18022-5   | SCR, HEX HD CAP, M4 X 6.0           | 59                            |   |
| - | 1   | 1   | 1   | 1   | 1338685-1   | PAWL, FEED                          | 56                            |   |
| - | 4   | 4   | 4   | 4   | 2168083-3   | SCR, SKT HD CAP, RoHS, M4 X 12.0    | 54                            |   |
| - | 2   | 2   | 2   | 2   | 2168083-8   | SCR, SKT HD CAP, RoHS, M4 X 16      | 53                            |   |
| - | 1   | 1   | 1   | 1   | 5018030-1   | NUT, HEX, REG, RoHS, M3             | 52                            |   |
| - | 1   | 1   | 1   | 1   | 811242-5    | BUMPER, HOLD DOWN                   | 51                            |   |
| - | 1   | 1   | 1   | 1   | 690753-2    | SPACER, TONKER                      | 50                            |   |
| - | 1   | 2   | 1   | 2   | 18023-9     | SCR, SKT HD CAP M4 X 6.0            | 49                            |   |
| - | -   | 1   | -   | 1   | 2119652-1   | FEED CAM, PRE FEED                  | 48                            |   |
| - | -   | 1   | -   | 1   | 2119653-1   | FEED CAM, POST FEED                 | 47                            |   |
| - | 1   | 1   | 1   | 1   | 1803583-9   | APPLICATOR BASIC ASSEMBLY, SF       | 46                            |   |
| - | 1   | 1   | 1   | 1   | 1803515-2   | RAM ASSEMBLY, SF ATLANTIC           | 44                            |   |
| - | 1   | 1   | 1   | 1   | 1803602-2   | SCR, BHSC, RoHS (M8 X 40)           | 41                            |   |
| - | 1   | 1   | 1   | 1   | 3-1752356-4 | SUPPORT, TERMINAL                   | 34                            |   |
| - | 2   | 2   | 2   | 2   | 2079383-5   | SCR, BHSC, RoHS (M4 X 20)           | 33                            |   |
| - | 2   | 2   | 2   | 2   | 2-2844962-8 | SPACER, CYLINDRICAL, STRIP GUIDE    | 30                            |   |
| - | 1   | 1   | 1   | 1   | 2844992-1   | ASSEMBLY, STRIP GUIDE               | 29                            |   |
| - | 1   | 1   | 1   | 1   | 455888-3    | SPACER, CRIMPER                     | 28                            |   |
| - | 1   | 1   | 1   | 1   | 1320928-6   | STRIP GUIDE                         | 24                            |   |
| - | 1   | 1   | 1   | 1   | 2168083-2   | SCR, SKT HD CAP, RoHS, M4 X 8.0     | 21                            |   |
| - | 2   | 2   | 2   | 2   | 1-18028-2   | WASHER, FLAT, REG M4                | 20                            |   |
| - | 1   | 1   | 1   | 1   | 2119533-1   | STRIPPER, SIDE FEED                 | 19                            |   |
| - | 1   | 1   | 1   | 1   | 2119806-1   | INSERT, SHEAR                       | 13                            |   |
| - | 1   | 1   | 1   | 1   | 3-22280-3   | SPRING, COMPRESSION                 | 12                            |   |
| - | 1   | 1   | 1   | 1   | 1-356885-4  | STOP, SHEAR                         | 11                            |   |
| - | 1   | 1   | 1   | 1   | 2119805-1   | SHEAR HOLDER, FRONT                 | 10                            |   |
| - | 1   | 1   | 1   | 1   | 454276-5    | FLOATING SHEAR, FRONT               | 9                             |   |
| - | 1   | 2   | 2   | 1   | 1           | 4-1803054-9                         | ANVIL, COMBINATION            | 8 |
| - | 1   | 1   | 1   | 1   | 2-240641-9  | SPACER                              | 7                             |   |
| - | -   | -   | -   | -   | -           | -                                   | 6                             |   |
| - | 1   | 1   | 1   | 1   | 2119757-8   | DEPRESSOR, SHEAR                    | 5                             |   |
| - | 1   | 1   | 1   | 1   | 4-238011-2  | BLOCK, CRIMPER SPACER               | 4                             |   |
| - | 1   | 2   | 2   | 1   | 1           | 6-1633962-4                         | CRIMPER, INSULATION F PREMIUM | 3 |
| - | 1   | 1   | 1   | 1   | 455888-9    | SPACER, CRIMPER                     | 2                             |   |
| - | 1   | 2   | 2   | 1   | 1           | 6-1633730-3                         | CRIMPER, WIRE                 | 1 |
| - | 77  | 72  | 71  | -2  | -1          | PART NO                             | ITEM NO                       |   |

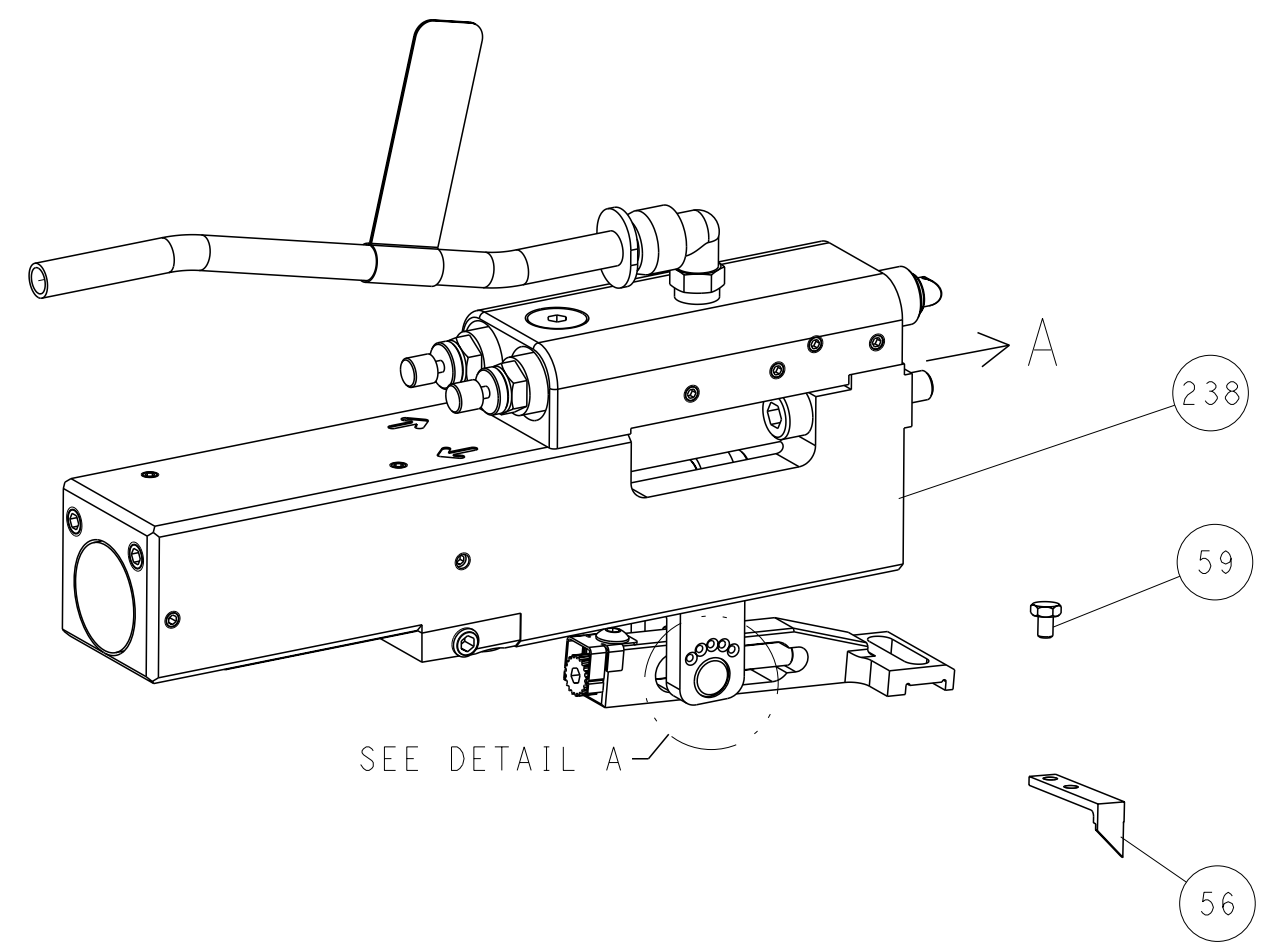
|             |         |  |          |                  |           |                            |               |
|-------------|---------|--|----------|------------------|-----------|----------------------------|---------------|
| DIMENSIONS: |         | TOLERANCES UNLESS OTHERWISE SPECIFIED: |          | OWN              | 24JUN2014 | TE Connectivity            |               |
| mm          | 0 PLC ± | 1 PLC ±                                | 2 PLC ±  | L. GROSS         | 24JUN2014 | Harrisburg, PA 17105-3608  |               |
|             | 3 PLC ± | 4 PLC ±                                | ANGLES ± | T. ELBIN         |           |                            |               |
|             |         |  |          | APVD             | 24JUN2014 | Ocean Side Feed Applicator |               |
| MATERIAL    |         |  |          | D. STOUGH        |           | SIZE                       | CAGE CODE     |
|             |         |  |          | PRODUCT SPEC     |           | 00779                      | 2266359       |
|             |         |  |          | APPLICATION SPEC |           | DRAWING NO                 | RESTRICTED TO |
|             |         |  |          |                  |           | 1:2                        | 1 OF 4        |
|             |         |  |          | WEIGHT           |           | SCALE                      | SHEET         |
|             |         |  |          |                  |           | 1:2                        | 1 OF 4        |
|             |         |  |          | CUSTOMER DRAWING |           | REV                        | C             |

| LOC | DIST | REVISIONS |     |             |      |     |      |
|-----|------|-----------|-----|-------------|------|-----|------|
| A   | 66   | P         | LYR | DESCRIPTION | DATE | OWN | APVD |
|     |      | -         |     | SEE SHEET 1 | -    | -   | -    |

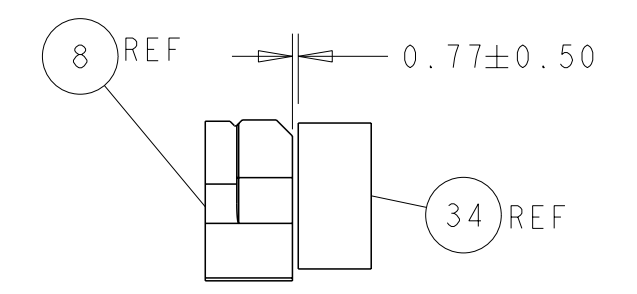
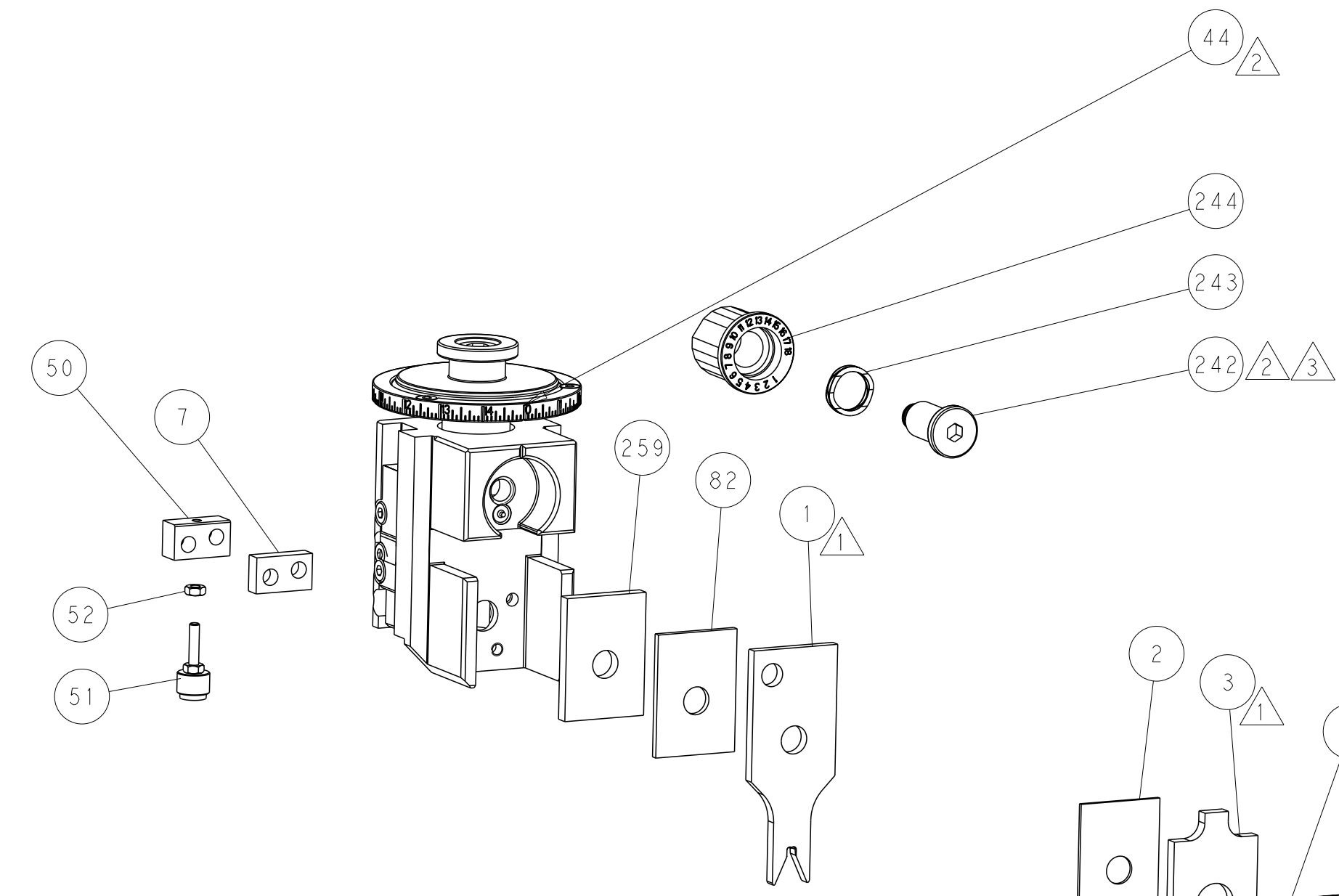
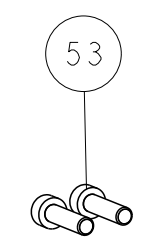
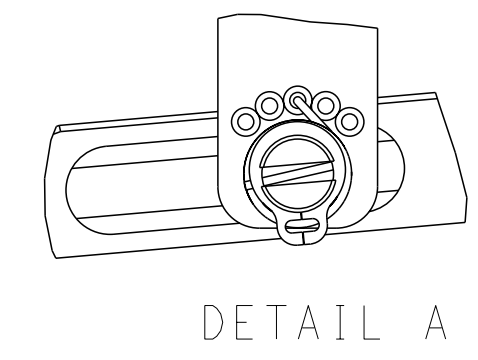
# FEED TYPE MECHANICAL



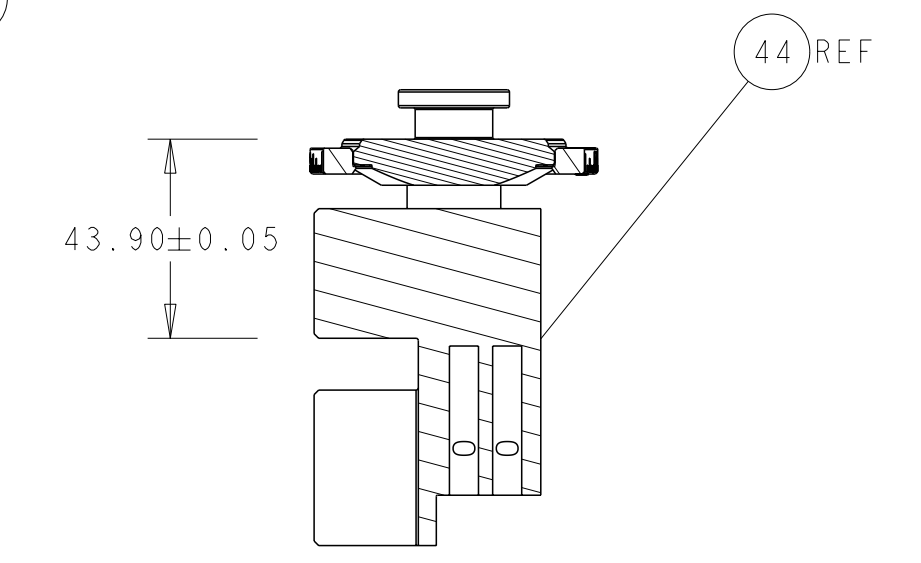
## PNEUMATIC



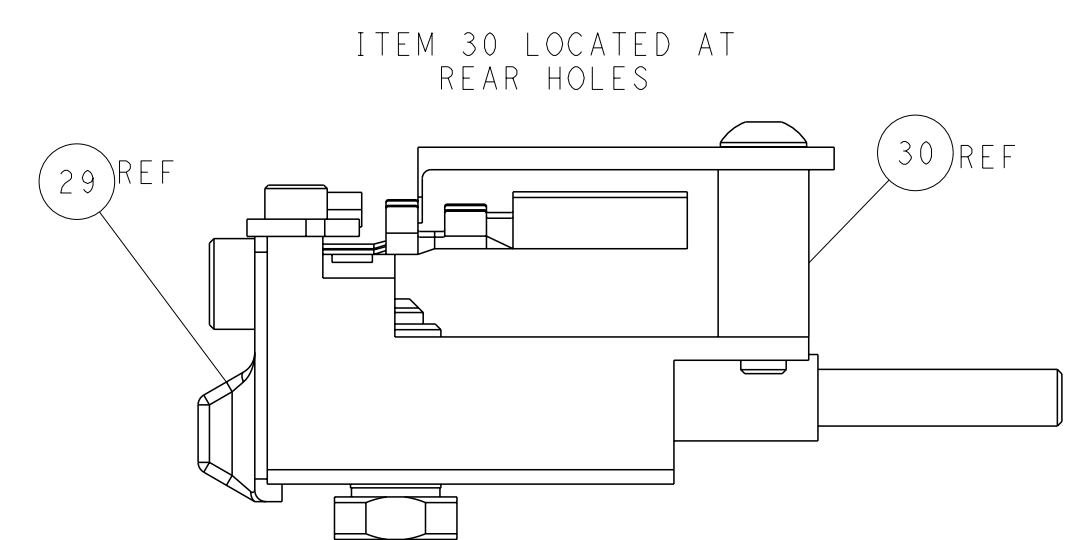
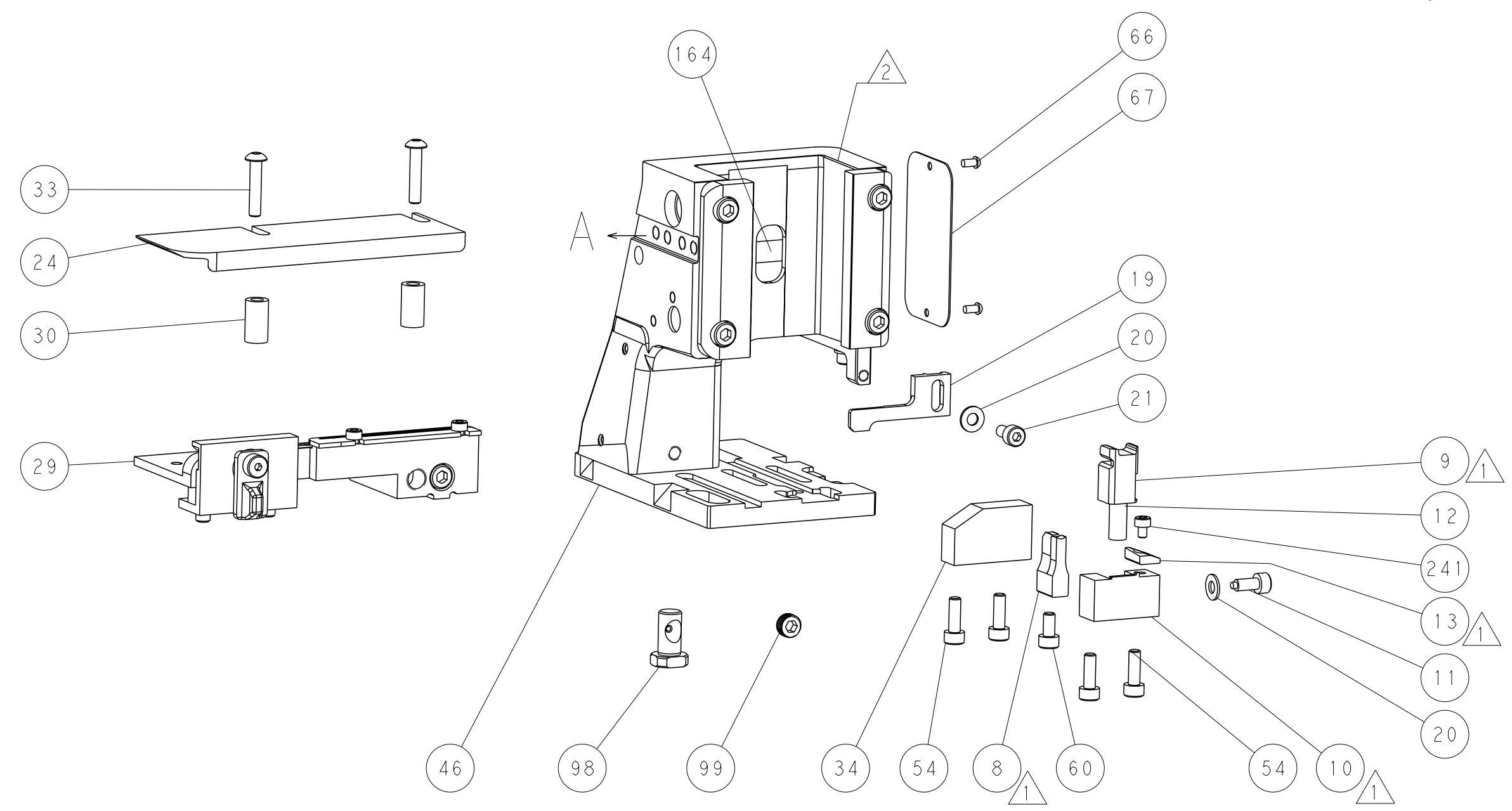
## FEED SPRING SETTING POSITION (SHOWN FROM REAR SIDE)



TERMINAL SUPPORT LOCATION

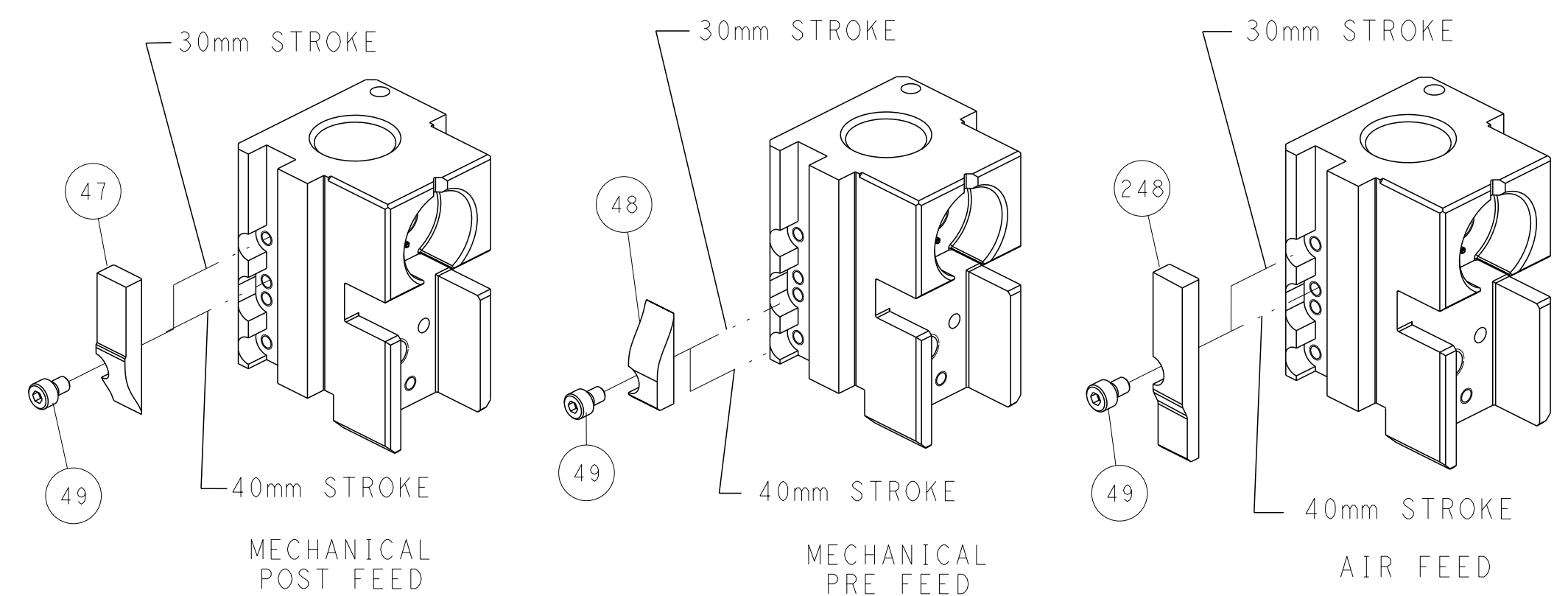


RAM SET-UP



ITEM 30 LOCATED AT REAR HOLES

## CAM POSITIONS

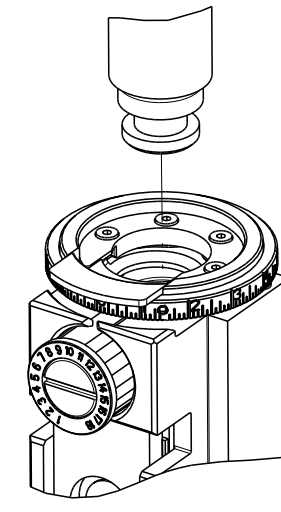


**ATLANTIC VERSION**  
 Shown on sheets 1 of 4 & 2 of 4  
 (Pacific version shown on sheets 3 of 4 & 4 of 4)

|  |  |   |  |  |   |                  |
|--|--|---|--|--|---|------------------|
| <small>THIS DRAWING IS A CONTROLLED DOCUMENT FOR TYCO ELECTRONICS CORPORATION. IT IS SUBJECT TO CHANGE AND THE CONTROL AND REVISIONS ORGANIZATION SHOULD BE CONTACTED FOR THE LATEST REVISION.</small> |  | OWN: L. GROSS<br>CHK: T. ELBIN<br>APVD: D. STOUGH<br>PRODUCT SPEC: -<br>APPLICATION SPEC: -<br>WEIGHT: -<br>CUSTOMER DRAWING: - | DATE: 24 JUN 2014<br>DATE: 24 JUN 2014<br>DATE: 24 JUN 2014<br>SCALE: 1:2<br>SHEET: 2 of 4<br>REV: C | TE Connectivity<br>Harrisburg, PA 17105-3608 | NAME: Ocean Side Feed Applicator<br>SIZE: A1<br>CAGE CODE: 00779<br>DRAWING NO: C=2266359 | RESTRICTED TO: - |
|--|--|---|--|--|---|------------------|

|  |                          |                          |            |
|--|--------------------------|--------------------------|------------|
| THIS DRAWING IS UNPUBLISHED.   | RELEASED FOR PUBLICATION |                          |            |
| © COPYRIGHT 20 BY TYCO ELECTRONICS CORPORATION. ALL RIGHTS RESERVED. | 20                       |                          |            |
| PART NUMBER  | REVISION                 | DESCRIPTION              | FEED TYPE  |
| 2-2266359-1  | C                        | FINE CRIMP HEIGHT ADJUST | MECHANICAL |
| 2-2266359-2  | C                        | FINE CRIMP HEIGHT ADJUST | PNEUMATIC  |
| 7-2266359-7  | A                        | CRIMP TOOLING KIT        | -          |

PACIFIC VERSION TERMINATOR  
INTERFACE ADAPTER



| APPLICATOR DATA                   |                |      |
|-----------------------------------|----------------|------|
| CRIMP                             | SIZE           | TYPE |
| WIRE                              | 2.77 mm [.109] | F    |
| INSUL                             | 3.86 mm [.152] | F    |
| APPLICATOR INSTRUCTIONS 408-35042 |                |      |

|  |                 |                              |                |
|--|-----------------|------------------------------|----------------|
| TERMINAL DATA: DELPHI TERMINAL DELPHI CRIMP SPECIFICATION                      |                 |                              |                |
| TERMINAL NAME: TERMINAL, F PAC/ON III  |                 |                              |                |
| WIRE STRIP LENGTH  |                 | INSULATION DIAMETER RANGE    |                |
| 4.86-5.62 mm [.191-.221 IN]  |                 | ∅2.45-3.10 mm [.096-.122 IN] |                |
| TERMINAL APPLICATION SPECIFICATION DELPHI Crimp Information Sheet page 3 of 13 |                 |                              |                |
| TERMINALS APPLIED  |                 |                              |                |
| TE TERMINAL  | DELPHI TERMINAL | TE TERMINAL                  | FARGO TERMINAL |
| 286575-1   | 12020321        | 286575-3                     | TF-14PCIUC     |
| 286575-2   | 12089950        |                              |                |

| WIRE SIZE | CRIMP HEIGHT mm [INCH]        | CRIMP HEIGHT REFERENCE SETTING |
|-----------|-------------------------------|--------------------------------|
| 2.00mm2   | 1.80 +/- 0.05 [.071 +/- .002] | 8.4                            |
| 1.00mm2   | 1.65 +/- 0.05 [.065 +/- .002] | 9.5                            |

- RECOMMENDED SPARE PARTS
- REFER TO SUPPLIED INSTRUCTION SHEET FOR CLEANING, LUBRICATION AND STORAGE OF APPLICATOR.
- APPLY PART NUMBER 2-23419-6 LOCTITE TO THREADS OF ITEM 242.
- CRIMP HEIGHT REFERENCE SETTING WAS THE SETTING USED WHEN THE APPLICATOR WAS QUALIFIED AT THE FACTORY. ADJUSTMENT MAY BE NECESSARY WHEN RUNNING APPLICATOR IN THE FIELD.
- 5. UNLESS SPECIFIED OTHERWISE TORQUE VALUES SHALL BE USED PER DOCUMENT, 101-35000.

**\*WARNING**  
ON INSTALLATION, SET WIRE DISC TO CRIMP HEIGHT REFERENCE SETTING FOR LARGEST WIRE SIZE. CRIMP HEIGHT REFERENCE SETTINGS GREATER THAN THE VALUE SHOWN MAY CAUSE DAMAGE TO THE CRIMP TOOLING, REFER TO THE INSTRUCTION SHEET FOR PROPER SETUP AND ADJUSTMENTS.

PACIFIC VERSION  
Shown on sheets 3 of 4 & 4 of 4  
(Atlantic version shown on sheets 1 of 4 & 2 of 4)

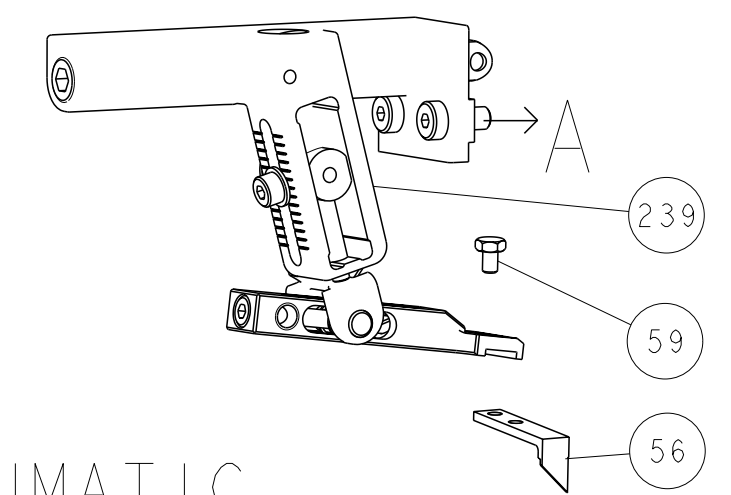
| LOC | DIST | REVISIONS |             |    |      |
|-----|------|-----------|-------------|----|------|
| A   | 66   | REV       | DATE        | BY | APPV |
|     |      | -         | SEE SHEET 1 | -  | -    |

|   |     |     |             |                                     |     |
|---|-----|-----|-------------|-------------------------------------|-----|
| - | 1   | 1   | 1803078-3   | SPACER, PRECISION                   | 259 |
| - | 1   | 1   | 2119082-4   | CAM, SNAIL, INSULATION ADJUSTMENT   | 244 |
| - | 1   | 1   | 2079764-1   | WASHER, WAVE SPRING, CREST-TO-CREST | 243 |
| - | 1   | 1   | 2119083-1   | RETAINER, INSULATION DIAL           | 242 |
| - | 1   | 1   | 7-18023-7   | SCR, SKT HD CAP M3 X 4.0            | 241 |
| - | -   | 1   | 2119580-1   | MECHANICAL FEED ASSEMBLY            | 239 |
| - | 1   | -   | 2844940-1   | AIR FEED MODULE                     | 238 |
| - | REF | REF | 994970-2    | COUNTER, MAGNETIC                   | 164 |
| - | 1   | -   | 2119641-2   | FEED CAM, AIR FEED                  | 151 |
| - | 1   | 1   | 2168083-8   | SCR, SKT HD CAP, RoHS, M4 X 16      | 144 |
| - | 4   | 4   | 2168083-9   | SCR, SKT HD CAP, RoHS, M4 X 20      | 143 |
| - | -   | 1   | 2119653-2   | FEED CAM, POST FEED                 | 142 |
| - | 1   | 1   | 1-1803583-0 | APPLICATOR BASIC ASSEMBLY, SF       | 141 |
| - | 1   | 1   | 1803516-2   | RAM ASSEMBLY, SF PACIFIC            | 140 |
| - | 1   | 1   | 2844908-1   | SCREW, LOCKING                      | 99  |
| - | 1   | 1   | 2844907-1   | POST, LOCKING                       | 98  |
| - | 1   | 1   | 1-455888-8  | SPACER, CRIMPER                     | 82  |
| - | 1   | 1   | 1803607-3   | DOCUMENTATION PACKAGE               | 71  |
| - | 1   | 1   | 2119740-1   | TAG, IDENTIFICATION                 | 67  |
| - | 2   | 2   | 2168078-1   | SCREW, DRIVE, RH, RoHS, 2 x .188    | 66  |
| - | 1   | 1   | 5-18022-5   | SCR, HEX HD CAP, M4 X 6.0           | 59  |
| - | 1   | 1   | 1338685-1   | PAWL, FEED                          | 56  |
| - | 2   | 2   | 2168083-8   | SCR, SKT HD CAP, RoHS, M4 X 16      | 53  |
| - | 1   | 1   | 5018030-1   | NUT, HEX, REG, RoHS, M3             | 52  |
| - | 1   | 1   | 811242-5    | BUMPER, HOLD DOWN                   | 51  |
| - | 1   | 1   | 690753-2    | SPACER, TONKER                      | 50  |
| - | 1   | 2   | 18023-9     | SCR, SKT HD CAP M4 X 6.0            | 49  |
| - | -   | 1   | 2119652-1   | FEED CAM, PRE FEED                  | 48  |
| - | 1   | 1   | 1803602-2   | SCR, BHSC, RoHS (M8 X 40)           | 41  |
| - | 1   | 1   | 3-1752356-4 | SUPPORT, TERMINAL                   | 34  |
| - | 2   | 2   | 2079383-5   | SCR, BHSC, RoHS (M4 X 20)           | 33  |
| - | 2   | 2   | 2-2844962-8 | SPACER, CYLINDRICAL, STRIP GUIDE    | 30  |
| - | 1   | 1   | 2844992-1   | ASSEMBLY, STRIP GUIDE               | 29  |
| - | 1   | 1   | 455888-3    | SPACER, CRIMPER                     | 28  |
| - | 1   | 1   | 1320928-6   | STRIP GUIDE                         | 24  |
| - | 1   | 1   | 2168083-2   | SCR, SKT HD CAP, RoHS, M4 X 8.0     | 21  |
| - | 2   | 2   | 1-18028-2   | WASHER, FLAT, REG M4                | 20  |
| - | 1   | 1   | 2119533-1   | STRIPPER, SIDE FEED                 | 19  |
| - | 1   | 1   | 2119806-1   | INSERT, SHEAR                       | 13  |
| - | 1   | 1   | 3-22280-3   | SPRING, COMPRESSION                 | 12  |
| - | 1   | 1   | 1-356885-4  | STOP, SHEAR                         | 11  |
| - | 1   | 1   | 2119805-1   | SHEAR HOLDER, FRONT                 | 10  |
| - | 1   | 1   | 454276-5    | FLOATING SHEAR, FRONT               | 9   |
| 1 | 1   | 1   | 4-1803054-9 | ANVIL, COMBINATION                  | 8   |
| - | 1   | 1   | 2-240641-9  | SPACER                              | 7   |
| - | -   | -   | -           | -                                   | 6   |
| - | 1   | 1   | 2119757-8   | DEPRESSOR, SHEAR                    | 5   |
| - | 1   | 1   | 4-238011-2  | BLOCK, CRIMPER SPACER               | 4   |
| 1 | 1   | 1   | 6-1633962-4 | CRIMPER, INSULATION F PREMIUM       | 3   |
| - | 1   | 1   | 455888-9    | SPACER, CRIMPER                     | 2   |
| 1 | 1   | 1   | 6-1633730-3 | CRIMPER, WIRE                       | 1   |

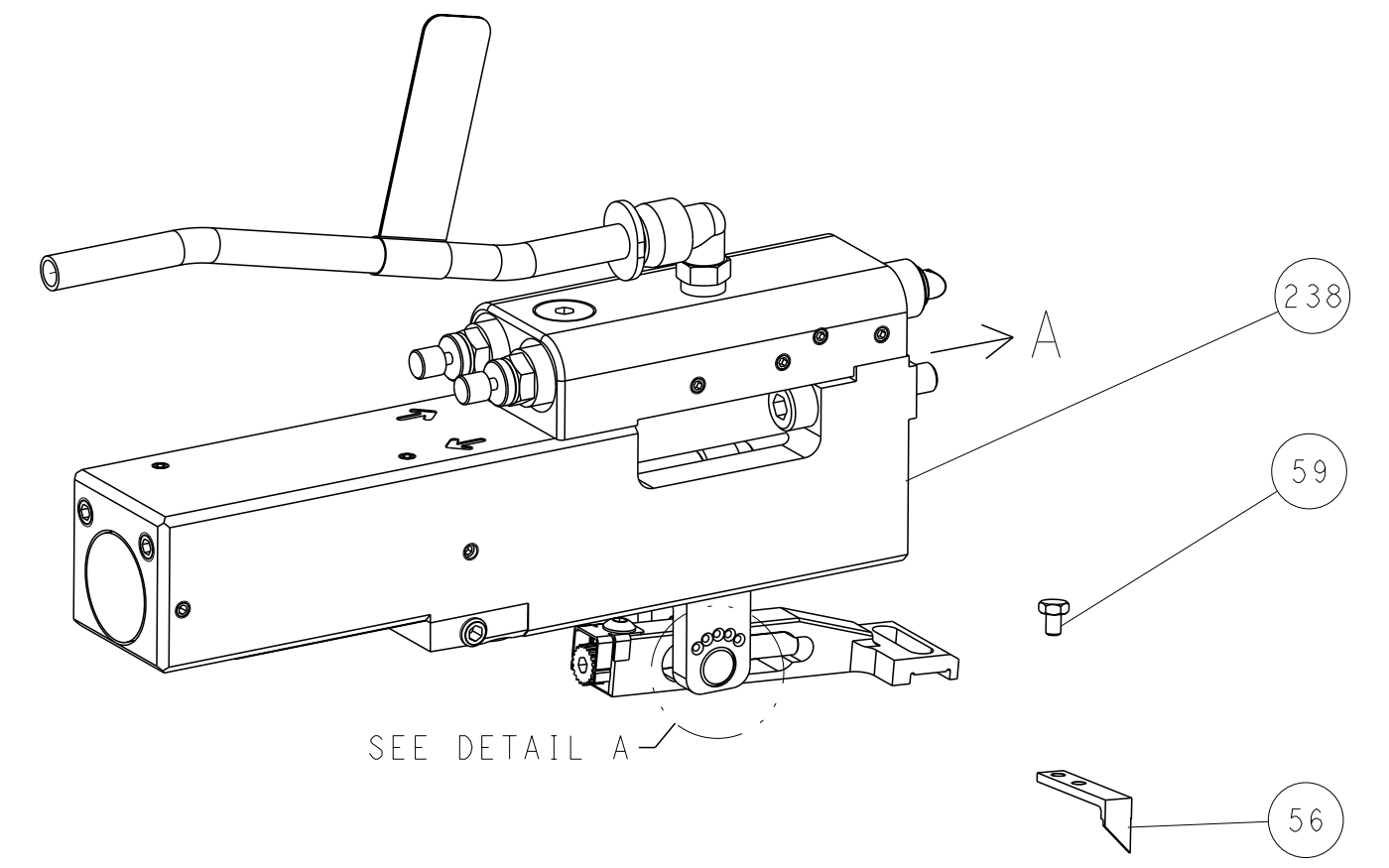
|                  |         |  |              |                        |         |                 |                           |
|------------------|---------|--|--------------|------------------------|---------|-----------------|---------------------------|
| DIMENSIONS:      |         | TOLERANCES UNLESS OTHERWISE SPECIFIED: |              | OWN L. GROSS 24JUN2014 |         | TE Connectivity |                           |
| mm               | 0 PLC ± | 1 PLC ±                                | 2 PLC ±      | 3 PLC ±                | 4 PLC ± | NAME            | Harrisburg, PA 17105-3608 |
|                  | FINISH  | APV D. STOUGH 24JUN2014                | PRODUCT SPEC | APPLICATION SPEC       | SIZE    | CAGE CODE       | DRAWING NO                |
| MATERIAL         | WEIGHT  | 00779                                  | 00779        | 00779                  | 00779   | 00779           | 00779                     |
| CUSTOMER DRAWING |         |  |              | SCALE 1:2              |         | SHEET 3 OF 4    |                           |

| LOC |    | DIST |     | REVISIONS   |      |     |      |
|-----|----|------|-----|-------------|------|-----|------|
| A   | 66 | P    | LYR | DESCRIPTION | DATE | OWN | APVD |
|     |    | -    |     | SEE SHEET 1 |      |     |      |

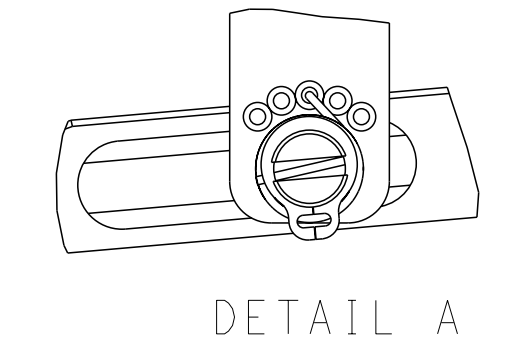
# FEED TYPE MECHANICAL



## PNEUMATIC

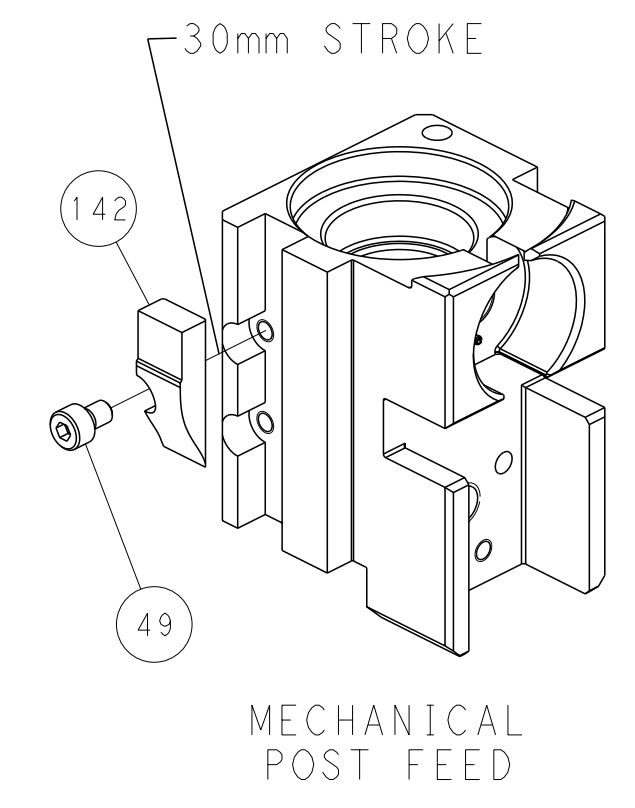


### FEED SPRING SETTING POSITION (SHOWN FROM REAR SIDE)

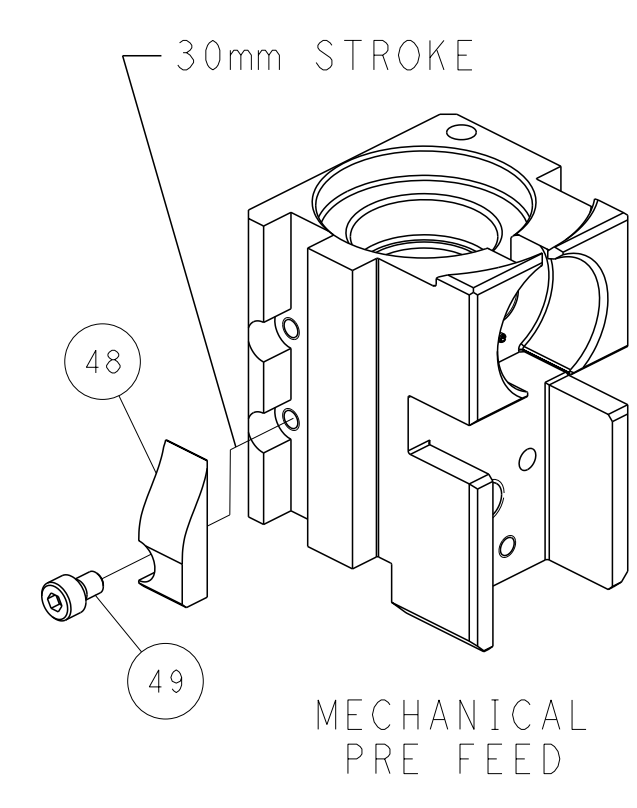


DETAIL A

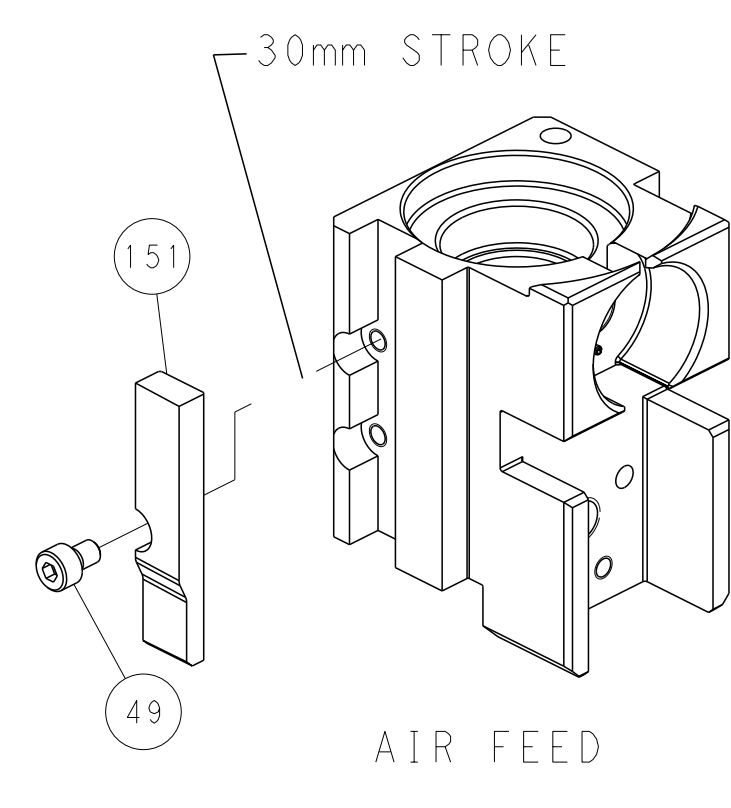
# CAM POSITIONS



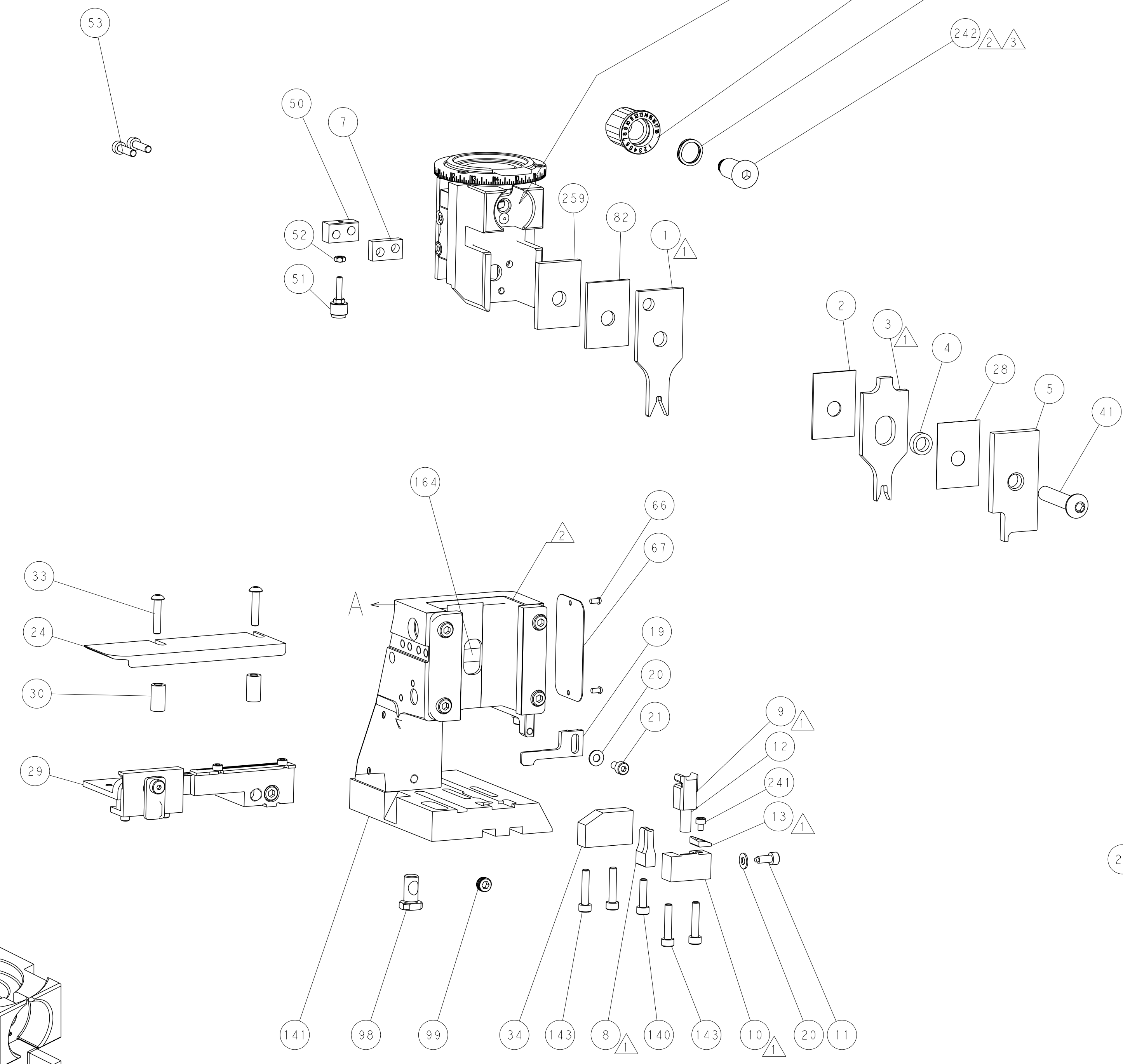
MECHANICAL  
POST FEED



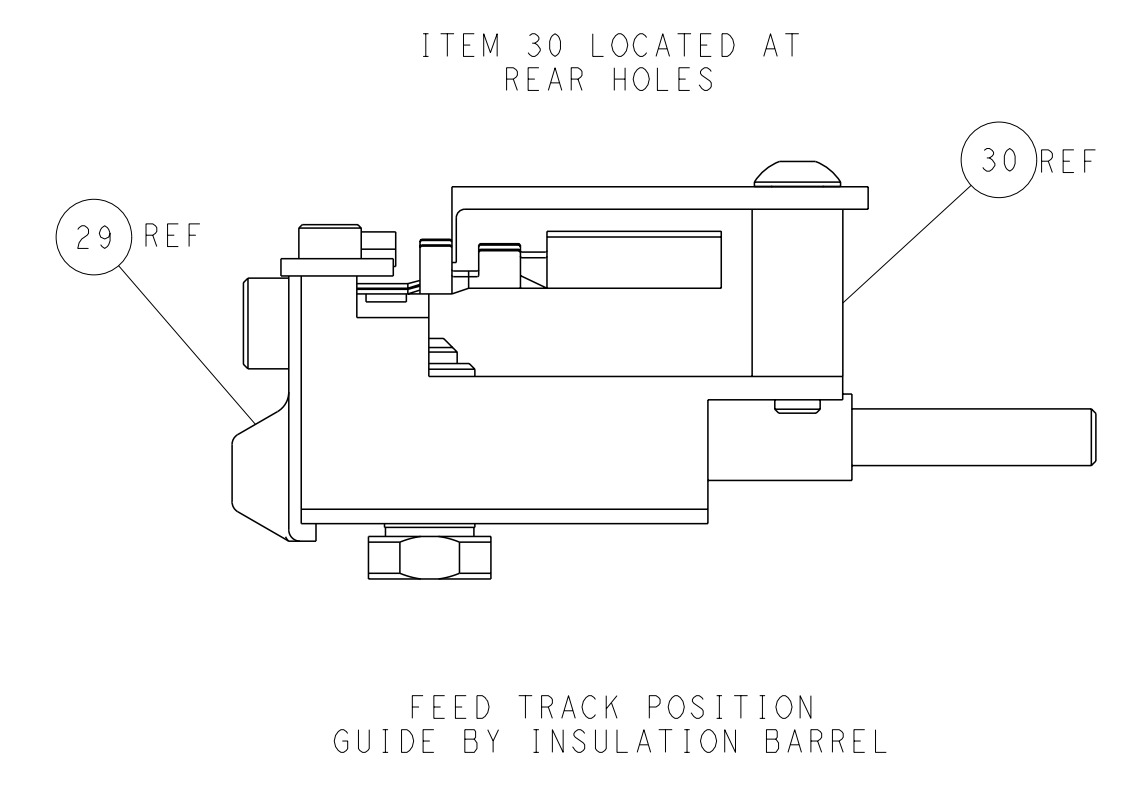
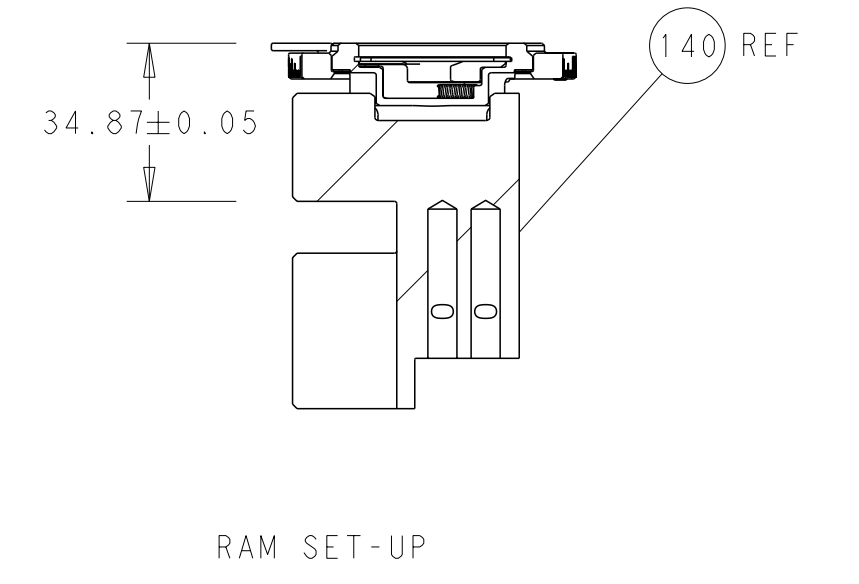
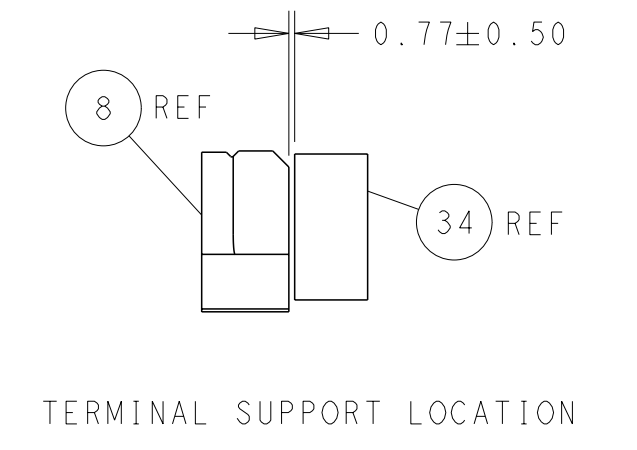
MECHANICAL  
PRE FEED



AIR FEED



**PACIFIC VERSION**  
 Shown on sheets 3 of 4 & 4 of 4  
 (Atlantic version shown on sheets 1 of 4 & 2 of 4)



|   |  |   |   |  |  |
|---|--|---|---|--|--|
| <small>THIS DRAWING IS A CONTROLLED DOCUMENT FOR TYCO ELECTRONICS CORPORATION. IT IS SUBJECT TO CHANGE AND THE USER'S RESPONSIBILITY TO VERIFY THE LATEST REVISION SHOULD BE CONTACTED FOR THE LATEST REVISION.</small> |  | DWN: L. GROSS<br>CHK: T. ELBIN<br>APVD: D. STOUGH<br>PRODUCT SPEC: -<br>APPLICATION SPEC: -<br>MATERIAL: -<br>FINISH: - | DATE: 24JUN2014<br>DATE: 24JUN2014<br>DATE: 24JUN2014 | NAME: Ocean Side Feed Applicator<br>SIZE: A1<br>CAGE CODE: 00779<br>DRAWING NO: C=2266359<br>SCALE: 1:2<br>SHEET: 4 of 4<br>REV: C | TE Connectivity<br>Harrisburg, PA 17105-3608 |
|---|--|---|---|--|--|