

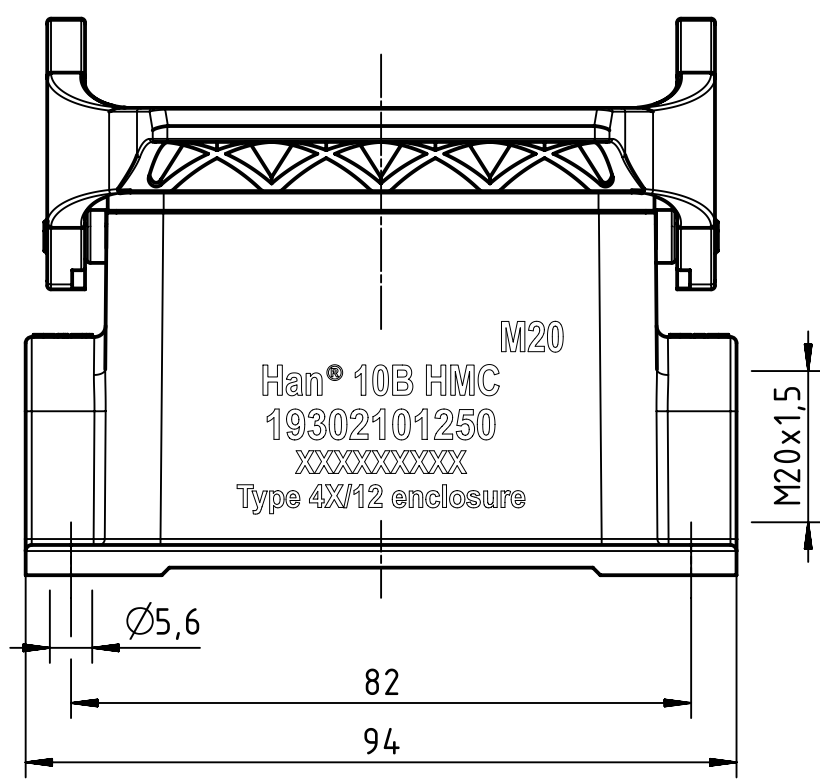
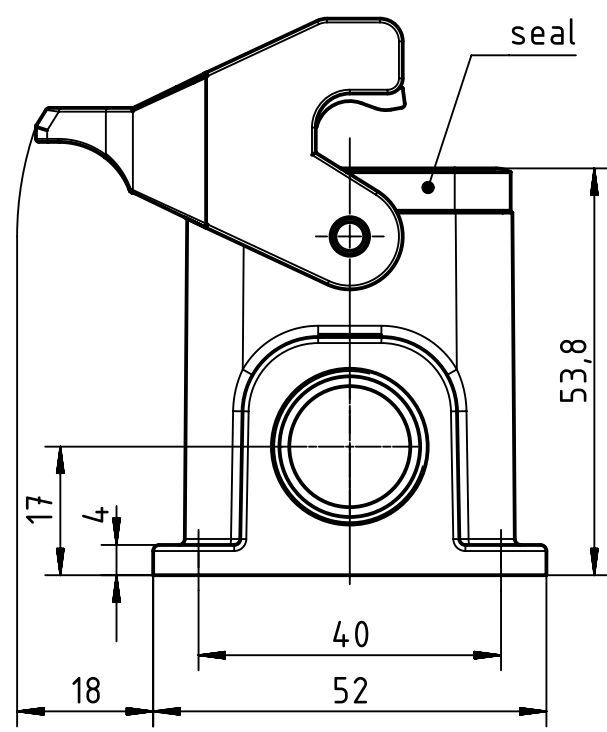
1 2 3 4 5 6

A

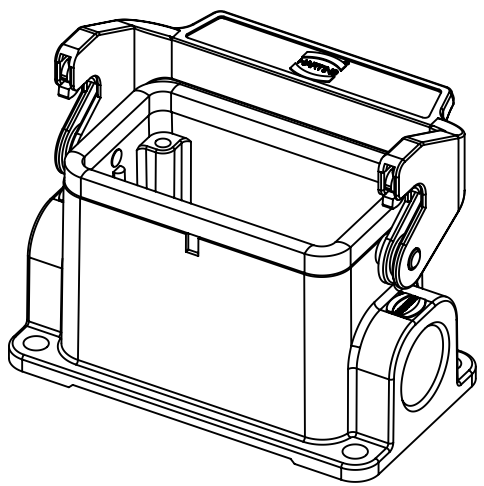
B


C

D



M20
 Han® 10B HMC
 19302101250
 XXXXXXXXX
 Type 4X/12 enclosure



	All rights reserved Department EL PD	All Dimensions in mm Original Size DIN A4		Scale 1:1	Free size tol.	Ref.	
		HARTING Electric GmbH & Co. KG D-32339 Espelkamp	Created by SPRENB	Inspected by SUNDERMEIER	Standardisation RUETERA	Date 2020-02-26	State Final Release
Title Han 10B-HMC-asg1-LB-M20						Doc-Key / ECM-Nr. 100521940/UGD/002/D 500000166132	
Type TB		Number 19 30 210 1250				Rev. D	Page 1/1