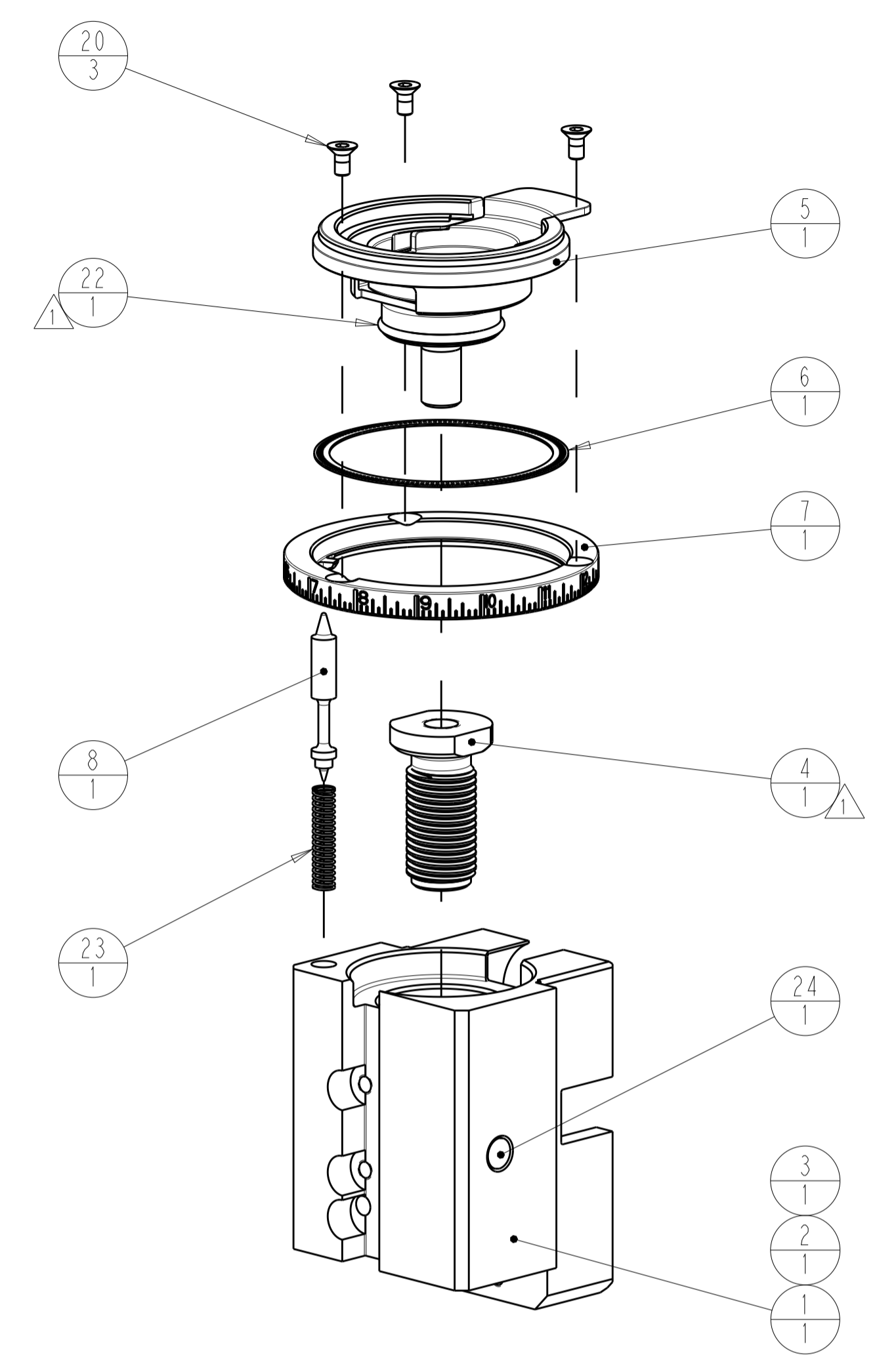
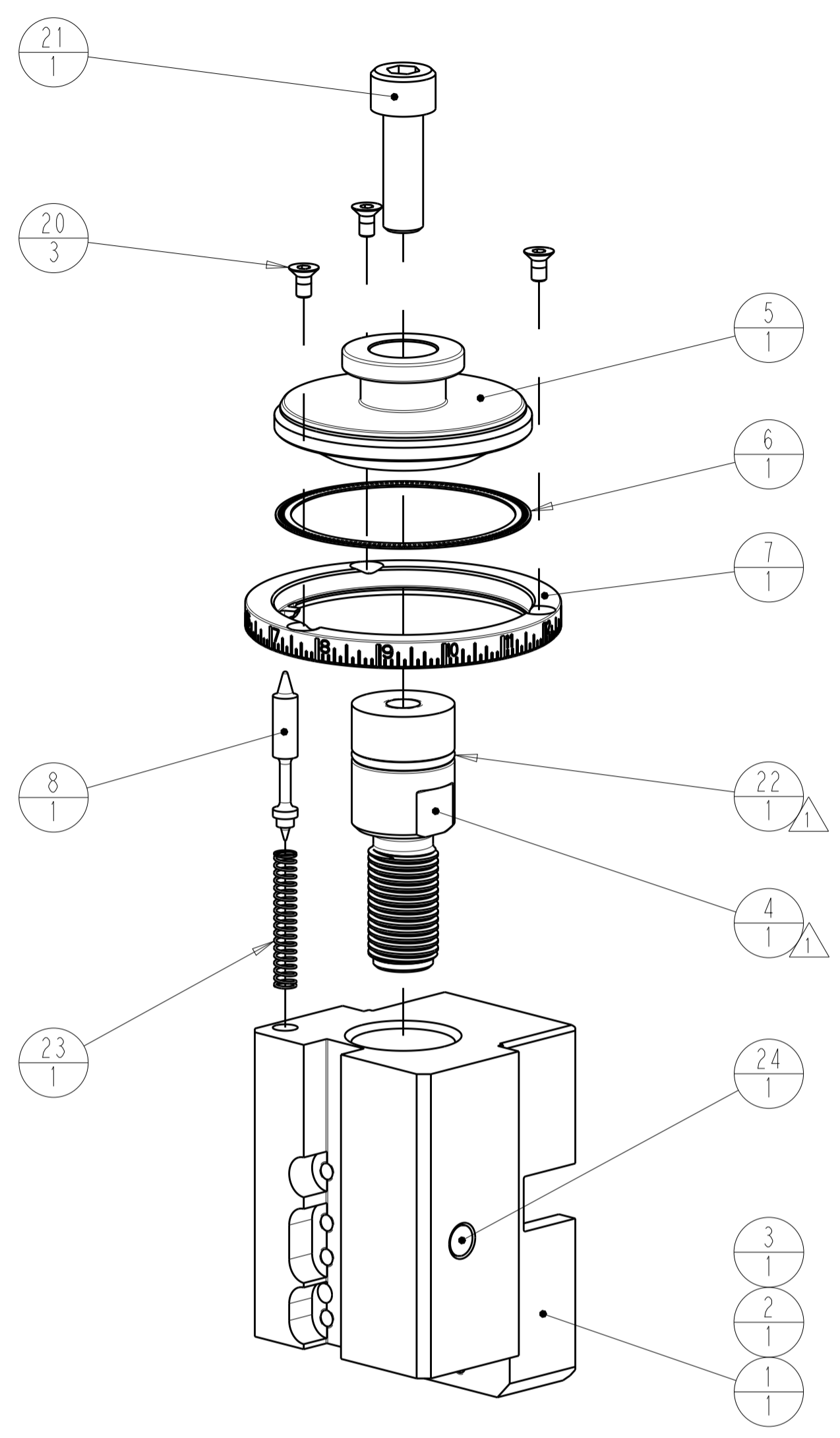


| REVISIONS | | | | |
|-----------|-----|-------------|-----------|--------|
| P | LTN | DESCRIPTION | DATE | APVD |
| A | | ORIGINAL | 26OCT2017 | DJG JS |

GREASE THREADS, GROOVE AND O-RING ON ADJUSTMENT BOLT.



| AR | AR | AR | -- | PART NO | DESCRIPTION | ITEM NO |
|----|----|----|-----|-------------|-----------------------------------|---------|
| 1 | 1 | 1 | - | 1-23419-5 | SEALANT, LOCTITE #222 | 50 |
| 1 | 1 | 1 | - | 994969-1 | MAGNET, RARE EARTH, HIGH ENERGY | 24 |
| 1 | 1 | 1 | - | 2-22279-6 | SPRING, COMPRESSION | 23 |
| 1 | 1 | 1 | - | 8-21084-0 | O-RING, .676 ID, .070 DIA. MAT. | 22 |
| 1 | 1 | 1 | - | 7-1655316-0 | SCR, SKT HD CAP, M8 X 25.0 | 21 |
| 3 | 3 | 3 | - | 1-1655784-6 | SCR, FLT SKT HD CAP, M3 X 6 | 20 |
| 1 | 1 | 1 | - | 2844970-1 | DETENT PIN | 8 |
| 1 | 1 | 1 | - | 2844968-1 | DISC, NUMBERED FA WIRE ADJUSTMENT | 7 |
| 1 | 1 | 1 | - | 2844969-1 | DETENT PLATE | 6 |
| 1 | 1 | 1 | - | 2844967-1 | FA HEAD, ATLANTIC STYLE | 5 |
| 1 | 1 | 1 | - | 2844971-1 | BOLT, ADJUSTMENT | 4 |
| 1 | - | - | - | 2844273-1 | RAM, AMP STYLE, END FEED | 3 |
| - | 1 | - | - | 2161310-1 | RAM, STEPPED, AMP STYLE, END FEED | 2 |
| - | - | 1 | - | 1803536-1 | RAM, ATLANTIC STYLE, END FEED | 1 |
| -3 | -2 | -1 | U/M | PART NO | DESCRIPTION | ITEM NO |

REF: 1803517 (RAM ASSEMBLY, EF ATLANTIC)

| AR | AR | AR | -- | PART NO | DESCRIPTION | ITEM NO |
|----|----|----|-----|-------------|---|---------|
| 1 | 1 | 1 | - | 1-23419-5 | SEALANT, LOCTITE #222 | 50 |
| 1 | 1 | 1 | - | 994969-1 | MAGNET, RARE EARTH, HIGH ENERGY | 24 |
| 1 | 1 | 1 | - | 2-22279-6 | SPRING, COMPRESSION | 23 |
| 1 | 1 | 1 | - | 8-21084-1 | O-RING, .801 ID, .070 DIA. MAT. | 22 |
| 3 | 3 | 3 | - | 1-1655784-6 | SCR, FLT SKT HD CAP, M3 X 6 | 20 |
| 1 | 1 | 1 | - | 2844970-1 | DETENT PIN | 8 |
| 1 | 1 | 1 | - | 2844968-1 | DISC, NUMBERED FA WIRE ADJUSTMENT | 7 |
| 1 | 1 | 1 | - | 2844969-1 | DETENT PLATE | 6 |
| 1 | 1 | 1 | - | 2844980-1 | FINE ADJUST HEAD ASM, PACIFIC STYLE | 5 |
| 1 | 1 | 1 | - | 2844971-2 | BOLT, ADJUSTMENT | 4 |
| 1 | - | - | - | 1803543-1 | RAM, PACIFIC STYLE, END FEED (AMPLIVAR) | 3 |
| - | 1 | - | - | 1803542-1 | STEPPED RAM, PACIFIC STYLE, END FEED | 2 |
| - | - | 1 | - | 1803541-1 | RAM, PACIFIC STYLE, END FEED | 1 |
| -3 | -2 | -1 | U/M | PART NO | DESCRIPTION | ITEM NO |

REF: 1803518 (RAM ASSEMBLY, EF PACIFIC)

THIS DRAWING IS A CONTROLLED DOCUMENT. DWG: D.J.GOOD 26-Oct-17, CHG: J.STACHURA 26-Oct-17, APVD: J.STACHURA 26-Oct-17

STE TE Connectivity

NAME: RAM ASSEMBLY, END FEED

SIZE: A1, CAGE CODE: 1803595, DRAWING NO: 1803595

SCALE: 1:5, SHEET: 1 OF 1, REV: A

MATERIAL: - FINISH: - WEIGHT: - CUSTOMER DRAWING