

# Splice box - FOC-SB-FR19:1U-LCD12-OM4 BK - 1418817

Please be informed that the data shown in this PDF Document is generated from our Online Catalog. Please find the complete data in the user's documentation. Our General Terms of Use for Downloads are valid (<http://phoenixcontact.com/download>)

19" splice box, black, 1 RU, fully pre-assembled ready to splice, for 12x LC duplex OM4



19" splice box, black, 12 x LC duplex OM4

## Product Description

19" FDX 20 series splice boxes, 1 RU, with removable drawer, for 12x LC duplex OM4, black, completely ready to splice (correctly pre-mounted: 12 ceramic couplings, 12 filler plugs, 24 pigtailed, 2 cassettes, 4 combs, 1 cassette cover, and 24x shrink splice protectors). 4 cable entries (rear) incl. 2 M20 cable glands, measurement protocol and 19" mounting set.

## Your advantages

- removable drawer with quick release
- easy to remove drawer
- high-quality individual components
- 100 % control including measurement protocol
- fully prepared ready to splice
- 4 cable entries including 2 cable glands
- subsequent extension to 24 x LC duplex possible
- including 19" mounting set
- including shrink splice protection
- easy to install



## Key Commercial Data

Packing unit	1 pc
GTIN	
GTIN	4055626167862

## Technical data

### Mechanical characteristics

Number of slots	12
Connection profile	LC connectors

# Splice box - FOC-SB-FR19:1U-LCD12-OM4 BK - 1418817

## Technical data

### Mechanical characteristics

Locking type	Push Pull
Fiber type	GOF
Ferrule diameter	1.25 mm
Insertion/withdrawal cycles	min. 1000
Connection method	Splicing
Type of cable	Loose Tube
Color	jet black RAL 9005
Mounting type	Screw mounting
Degree of protection	IP20
Type	1 HE
Size of housing	1
No. of cable outlets	2

### Ambient conditions

Ambient temperature (operation)	-10 °C ... 60 °C
Degree of protection	IP20

### Material data

Flammability rating according to UL 94	V0
Housing material	Sheet steel
Housing surface material	Powder-coated, black
Ferrule material	Zirconia ceramics
Housing width	441 mm
Depth	329 mm
Height	43.8 mm

### Standards and Regulations

Flammability rating according to UL 94	V0
--	----

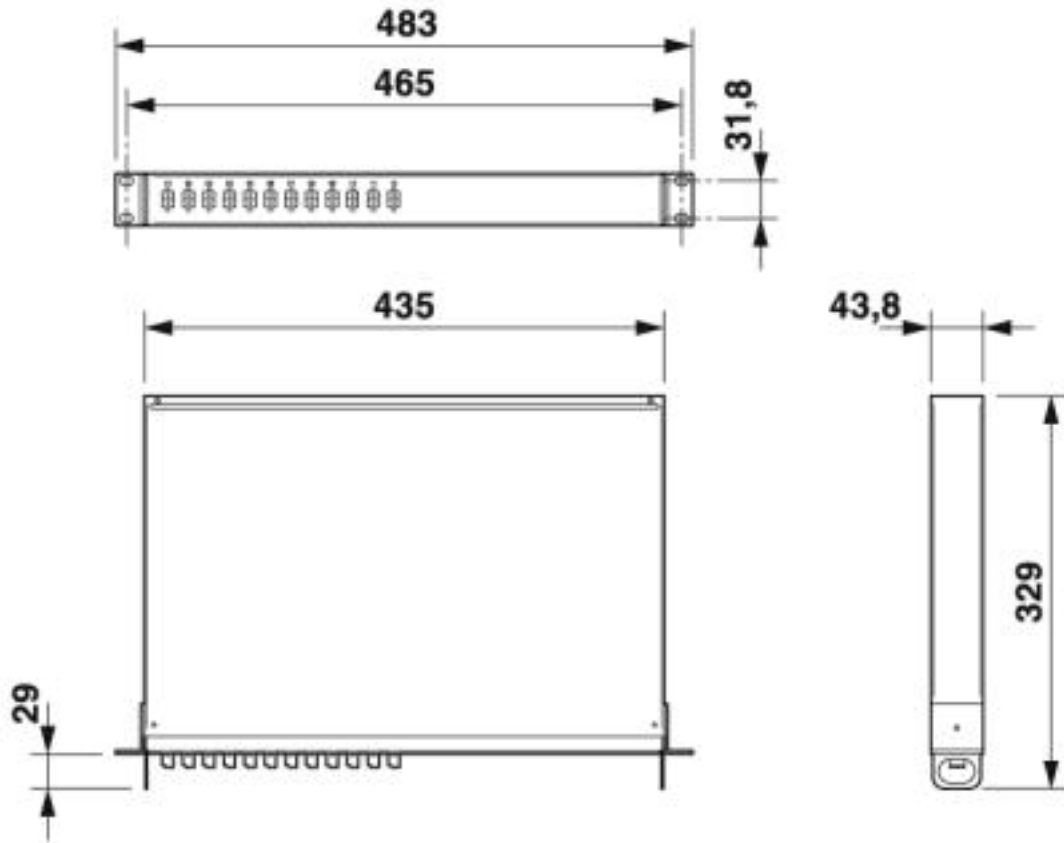
### Environmental Product Compliance

China RoHS	Environmentally friendly use period: unlimited = EFUP-e
	No hazardous substances above threshold values

## Drawings

# Splice box - FOC-SB-FR19:1U-LCD12-OM4 BK - 1418817

Dimensional drawing



Phoenix Contact 2019 © - all rights reserved  
<http://www.phoenixcontact.com>

PHOENIX CONTACT GmbH & Co. KG  
Flachsmarktstr. 8  
32825 Blomberg  
Germany  
Tel. +49 5235 300  
Fax +49 5235 3 41200  
<http://www.phoenixcontact.com>