

6

5

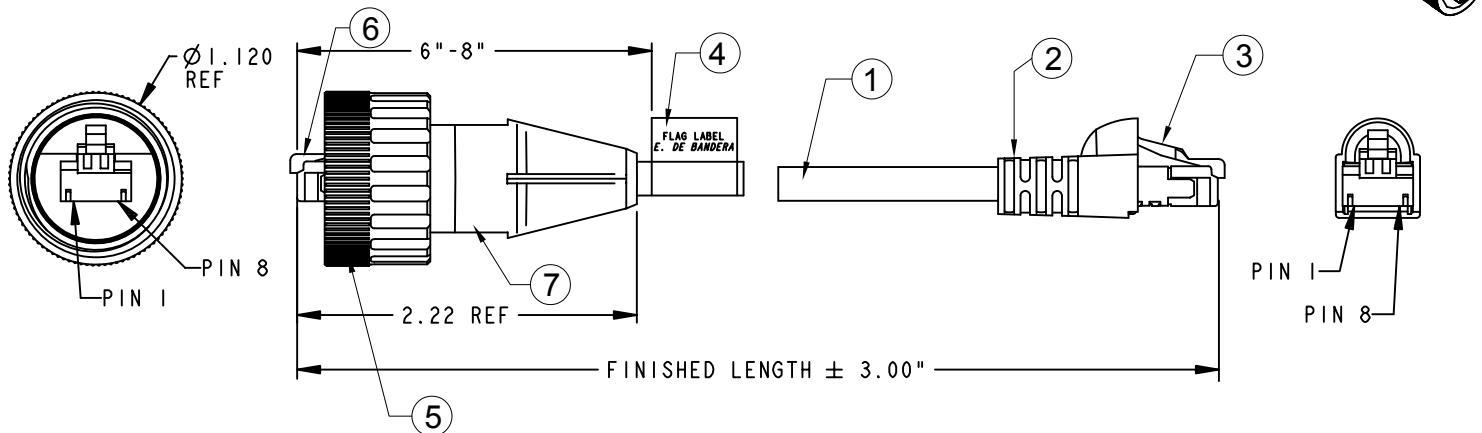
4

3

2

1

PART NUMBER	ENGINEERING NO.	LENGTH ± TOLERANCE
1300500093	ENP1135M010	3' 3" +2.19"/-0" [1M +55.6/-0 mm]



NOTES:

- 1) MATERIAL: SEE TABLE
- 2) FINISHES: SEE TABLE
- 3) CABLE: #26/8 SHIELDED TWISTED PAIR, PUR
- 4) ELECTRICAL DATA:
ACCORDING TO CAT5e ETHERNET STANDARD
MAX. VOLTAGE: 30V
MAX. CURRENT 1.5A
- 5) ENVIRONMENTAL:
PROTECTION IP67
TEMPERATURE RANGE: -20°C TO +80°C
- 6) WRAP LABEL IS MARKED WITH P/N & DATE CODE.
- 7) ASSEMBLY IS RoHS COMPLIANT.

WIRE LIST	
PIN #	COLOR
1	WHITE/BLUE
2	BLUE
3	WHITE/ORANGE
4	NOT USED
5	NOT USED
6	ORANGE
7	NOT USED
8	NOT USED
GND	DRAIN WIRE

ITEM	QTY.	DESCRIPTION	MATERIAL	FINISH
7	1	OVERMOLD	PUR	BLACK
6	1	RJ45 PLUG	POLYCARBONATE	CLEAR
5	1	COUPLING NUT	ABS	BLACK
4	1	LABEL	PLASTIC FILM	BLACK/YELLOW
3	1	RJ45 PLUG	POLYCARBONATE	CLEAR
2	1	BOOT	PVC	BLACK
1	1	ETHERNET CABLE-CAT5E	PUR JACKET	BLACK

RELEASE DRAWING
 EC NO: WNA2010-0432
 DRWN: TVICKERS 2010/01/14
 CHKD: B.WOODMA
 APPR: DTTITUS 2010/01/15

QUALITY SYMBOLS
 ▽=0
 ▽=0

GENERAL TOLERANCES (UNLESS SPECIFIED)

	mm	INCH
4 PLACES	±---	±---
3 PLACES	±---	±.005
2 PLACES	±0.13	±.010
1 PLACE	±0.25	±.020

ANGULAR ±1/2°
 DRAFT WHERE APPLICABLE
 MUST REMAIN
 WITHIN DIMENSIONS

DIMENSION STYLE
 IN

DRAWN BY DATE

CHECKED BY DATE
 B.WOODMA 2010/01/14

APPROVED BY DATE
 DTTITUS 2010/01/15

MATERIAL NO.
 1300500093

SIZE
 A

SCALE
 1:1

DESIGN UNITS
 INCH

THIRD ANGLE PROJECTION

TITLE
 ETHERNET MMJ IND./RJ45
 IO BASE T SHIELD ASSEM
 PROPLEX STRANDED CABLE

MOLEX INCORPORATED

DOCUMENT NO.
 SD-130050-012

SHEET NO.
 1 OF 1

THIS DRAWING CONTAINS INFORMATION THAT IS PROPRIETARY TO MOLEX INCORPORATED AND SHOULD NOT BE USED WITHOUT WRITTEN PERMISSION

6

5

4

3

2

1

E

E

D

D

C

C

B

B

A

A