

5

4

3

2

1

G

G

F

F

E

E

D

D

C

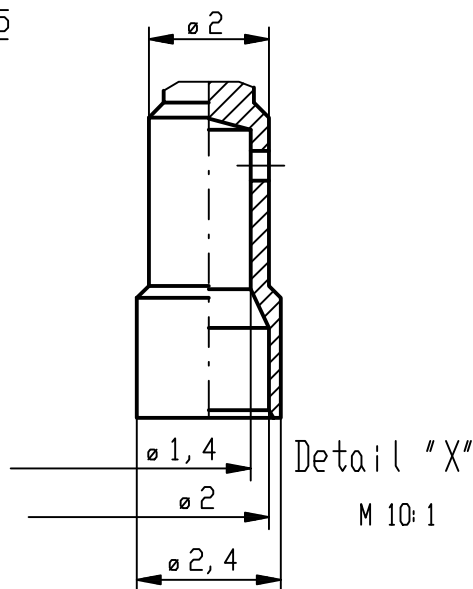
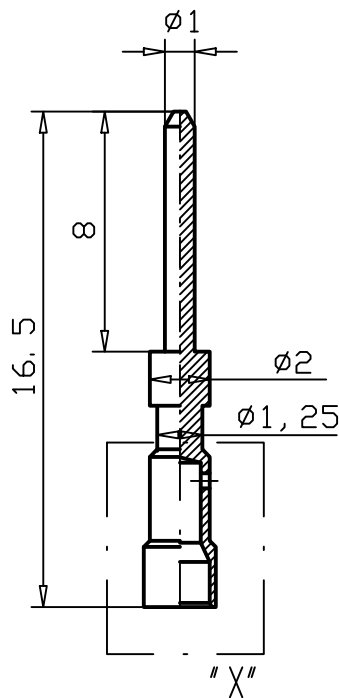
C

B

B

A

A



Notes:

Packaging units: 100 pcs

Tolerances (unless specified): DIN ISO 2768 m

Bemerkungen:

Verpackungseinheit: 100 Stück

Toleranzen (sofern nichts anderes angegeben ist):
DIN ISO 2768 m

DESCRIPTION EC NO.: IPG2014-0931 DRWN.: BBRAUCH CHKD.: APOHL APPR.: APOHL 20.11.13 2008/05/26	QUALITY SYMBOLS	GENERAL TOLERANCES (UNLESS SPECIFIED)		DIMENSION STYLE		SCALE	DESIGN UNITS	THIRD ANGLE PROJECTION	
	▽ = 0	4 PLACES	mm	INCH	MM	4:1	METRIC		
	∇ = 0	3 PLACES	±---	±---	DRAWN BY	DATE	CONTACT 10 MA TUR AU CR WRA 0.14 - 1.0 M23 P/N: KCS06-01		
		2 PLACES	±---	±---	BB	2008/05/15			
		1 PLACE	±---	±---	CHECKED BY	DATE	molex		
	0 PLACE	±---	±---	---	---				
REV	DESCRIPTION	ANGULAR ± --- °		APPROVED BY		DATE	MATERIAL NO.	DOCUMENT NO.	SHEET NO.
02		DRAFT WHERE APPLICABLE MUST REMAIN WITHIN DIMENSIONS		RE		2008/05/26	1202320062	SD-120232-062	1 OF 1
				SIZE	THIS DRAWING CONTAINS INFORMATION THAT IS PROPRIETARY TO MOLEX INCORPORATED AND SHOULD NOT BE USED WITHOUT WRITTEN PERMISSION				
				A4					

5

4

3

2

1